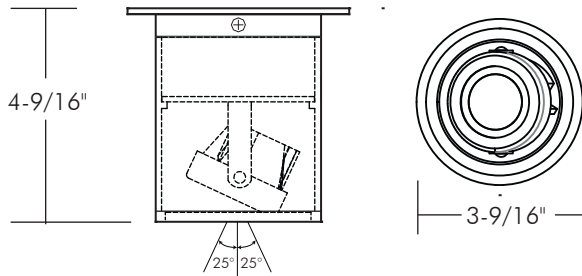


DL340J - 4" ROUND ADJUSTABLE CEILING DOWNLIGHT (IP65) - 700LM SURFACE CEILING OR PENDANT MOUNT



SPECIFICATION

9W

Application: This DL Series covered adjustable ceiling mount down light can be used in both interior and outdoor settings. Typical locations are in commercial and retail spaces that require lighting from above. Dark Sky compliant.

Housing: Constructed from a round one piece high grade aluminum extrusion with a rectangular extrusion arm, end cap, faceplate and a mounting plate with a powder coat finish. Includes an adjustable led array with optics (rotates 25°), COB LED, reflector and LED driver. Mounting plate is secured to arm with four (4) flat head phillips stainless steel screws. Mounting plate installs onto an electrical junction box. Consult factory for junction box mounting sizes.

Mounting: Fixture includes a mounting bracket for installation directly to a 3-1/2" or 4" octagonal electrical junction-box. Can also be mounted as a 12" - 48" pendant (LPCMDL4).

Faceplate: Round one piece aluminum with powder coat finish, clear tempered glass lens, and silicone o-ring. Faceplate is secured to the housing by threads.

Lumen Maintenance: Minimum 50,000 hours L70 life based on ANSI TM-21 calculations from LM80 standardized test results. See ordering guide for delivered lumens.

Dimming: (-DUN) option is a universal dimming system that works with most 3-Wire ELV, 2-Wire Incandescent and 5-Wire 0-10V fluorescent dimmers.

Electrical: AC 50/60Hz Electronic Direct Current Class 2 driver integrally mounted. Power Factor > 0.90. For cold weather applications (-22°C and above) use -DUN driver option.

Emergency Options: Emergency LED Battery Back-up available, remotely mounted adjacent to housing by installer. When AC power fails, the device immediately switches to the emergency mode, operating the LEDs for a minimum of 90 minutes. Remote test switch, plate cover and junction box included.

Caution: LITON recommends use of surge protectors on the power entering LED Housings. Surge damage is not covered by warranty.

Warranty: Covered by a 5 Year Warranty to be free of defects in materials and craftsmanship. Fixture should not be installed in applications with ambient temperature above 60 degrees C. Doing so will result in reduced lamp life and voided warranty.

Note: Dark Sky compliant when fixture is pointing downward.

Listing: ETL / cETL Listed. Suitable for wet location. Assembled in USA. (IP65).

Finish: A 7-stage electrostatic, polymer process provides a finish that delivers outstanding durability, superior anti-aging, resistance to corrosion and UV-degradation Standard finishes are White, Dark Silver, Basic Bronze, Black. Special order finishes are Light Silver, Dark Grey, Metallic Gold and Metallic Black.

LED: Energy efficient Chip-On-Board (COB) Singular LED Light Source provides for smooth uniform light output, eliminating the multiple shadow effect seen by multiple LED Source products. Binned with 4-step MacAdam ellipses as recommended by ANSI Standard. Available in 2700K, 3000K, 3500K, 4000K.

Benefit:

- Uniform, low glare illumination
- Durable, corrosion resistant finish
- Emergency back up available
- Singular COB Light Source
- 5 year limited warranty

FEATURE:

ORDERING EXAMPLE : DL340JB-B45-EMAC

| DL340J | FINISH | BEAM SPREAD | DIMMING | LED | OPTIONS |
|---------------|----------------------------|-------------------------|------------------------------------|--------------------|-------------------------|
| DL340J | W :White | -B45 :Flood | Blank :Non-Dimming (120V) | -T27 :2700K | -Blank :None |
| | DS :Dark Silver | -B60 :Wide Flood | UE-DUN :UniDim™ (120V/277V) | -T30 :3000K | -EMAC :Emergency |
| | BZ :Basic Bronze | | | -T35 :3500K | |
| | B :Black | | | -T40 :4000K | |
| | LS :Light Silver* | | | | |
| | S :Dark Grey* | | | | |
| | MG :Metallic Gold* | | | | |
| | MB :Metallic Black* | | | | |

* Special Order. Minimum order, extended lead time may apply. Consult factory.

DL340J - PHOTOMETRY

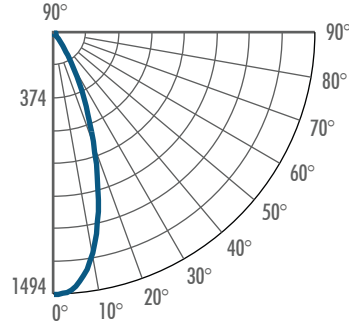
4" Round Adjustable Ceiling Downlight

DL340JB45-T30 - 700lm - 3000K

CANDELA TABULATION

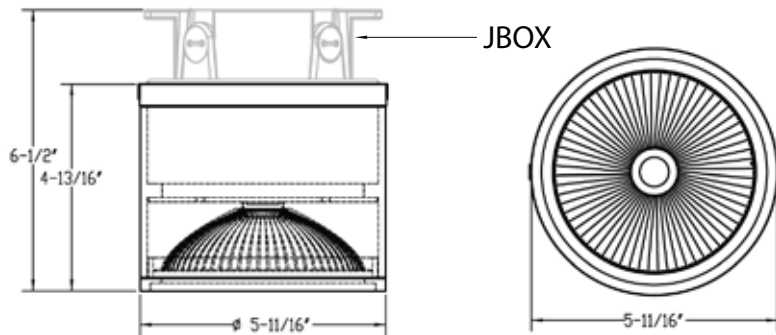
FOOTCANDLE DISTRIBUTION

| | | | |
|-------------------|----------|-------------|------|
| System Power | : 8.8W | Multipliers | |
| Test Date | : 3/2016 | 4000K | 1.33 |
| Beam Angle 50% | : 36.2° | 3500K | 1.17 |
| Field Angle 10% | : 65.3° | 2700K | 0.90 |
| Color Temperature | : 3000K | | |
| CRI | : 90.0 | | |
| R9 Value | : 73.0 | | |
| Lumens Delivered | : 680Lm | | |
| CBCP | : 1494cd | | |
| Power Factor | : 0.89 | | |



| Height | Beam Diameter | FC |
|--------|---------------|------|
| 8.0' | 5.2' | 23.3 |
| 10.0' | 6.5' | 14.9 |
| 12.0' | 7.8' | 10.4 |
| 16.0' | 10.5' | 5.8 |
| 20.0' | 13.1' | 3.7 |

DL360J - 6" ROUND ADJUSTABLE CEILING DOWNLIGHT (IP65) - 700LM SURFACE ADJUSTABLE CEILING OR PENDANT MOUNT



SPECIFICATION

Application: This DL Series covered adjustable ceiling mount down light can be used in both interior and outdoor settings. Typical locations are in commercial and retail spaces that require lighting from above. Dark Sky compliant.

Housing: Constructed from a round one piece high grade aluminum extrusion with a rectangular extrusion arm, end cap, faceplate and a mounting plate with a powder coat finish. Includes an adjustable led array with optics (rotates 25°), COB LED, reflector and LED driver. Mounting plate is secured to arm with four (4) flat head phillips stainless steel screws. Mounting plate installs onto an electrical junction box. Consult factory for junction box mounting sizes.

Mounting: Fixture includes a mounting bracket for installation directly to a 4" octagonal electrical junction-box. Can also be mounted as a 12" - 48" pendant (LPCMDL6).

Faceplate: Round one piece aluminum with powder coat finish, clear tempered glass lens, and silicone o-ring. Faceplate is secured to the housing by threads.

Lumen Maintenance: Minimum 50,000 hours L70 life based on ANSI TM-21 calculations from LM80 standardized test results. See ordering guide for delivered lumens.

Dimming: (-DUN) option is a universal dimming system that works with most 3-Wire ELV, 2-Wire Incandescent and 5-Wire 0-10V fluorescent dimmers.

Electrical: AC 50/60Hz Electronic Direct Current Class 2 driver integrally mounted. Power Factor > 0.90. For cold weather applications (-22°C and above) use -DUN driver option.

Emergency Options: Emergency LED Battery Back-up available, remotely mounted adjacent to housing by installer. When AC power fails, the device immediately switches to the emergency mode, operating the LEDs for a minimum of 90 minutes. Remote test switch, plate cover and junction box included.

Caution: LITON recommends use of surge protectors on the power entering LED Housings. Surge damage is not covered by warranty.

Optional: Integral Surface Mounted Junction Box – The surface mounted, weatherproof junction box provides a clean finished look in situations where a recessed junction box is not an option. This feature includes four (4) conduit ports along with two (2) closure plugs.

Warranty: Covered by a 5 Year Warranty to be free of defects in materials and craftsmanship. Fixture should not be installed in applications with ambient temperature above 60 degrees C. Doing so will result in reduced lamp life and voided warranty.

Note: Dark Sky compliant when fixture is pointing downward.

Listing: ETL / cETL Listed. Suitable for wet location. Assembled in USA. (IP65).

Finish: A 7-stage electrostatic, polymer process provides a finish that delivers outstanding durability, superior anti-aging, resistance to corrosion and UV-degradation Standard finishes are White, Dark Silver, Basic Bronze, Black. Special order finishes are Light Silver, Dark Grey, Metallic Gold and Metallic Black.

LED: Energy efficient Chip-On-Board (COB) Singular LED Light Source provides for smooth uniform light output, eliminating the multiple shadow effect seen by multiple LED Source products. Binned with 4-step MacAdam ellipses as recommended by ANSI Standard. Available in 2700K, 3000K, 3500K, 4000K.

Benefit:

- Uniform, low glare illumination
- Durable, corrosion resistant finish
- Emergency back up available
- Singular COB Light Source
- 5 year limited warranty

FEATURE:

ORDERING EXAMPLE : DL360JB-B45-EMAC

| DL360J | FINISH | BEAM SPREAD | DIMMING | LED | OPTIONS |
|---------------|----------------------------|-------------------------|------------------------------------|--------------------|-----------------------------------|
| DL360J | W :White | -B45 :Flood | Blank :Non-Dimming (120V) | -T27 :2700K | -Blank :None |
| | DS :Dark Silver | -B60 :Wide Flood | UE-DUN :UniDim™ (120V/277V) | -T30 :3000K | -EMAC :Emergency |
| | BZ :Basic Bronze | | | -T35 :3500K | -JB :Integral Junction Box |
| | B :Black | | | -T40 :4000K | |
| | LS :Light Silver* | | | | |
| | S :Dark Grey* | | | | |
| | MG :Metallic Gold* | | | | |
| | MB :Metallic Black* | | | | |

* Special Order. Minimum order, extended lead time may apply. Consult factory.

DL360J - PHOTOMETRY

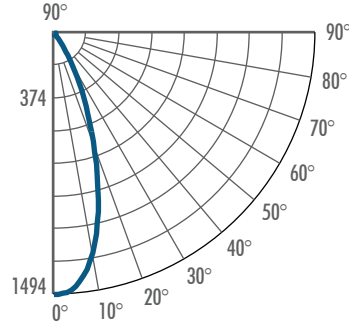
6" Round Adjustable Ceiling Downlight

DL360JB45-T30 - 700lm - 3000K

CANDELA TABULATION

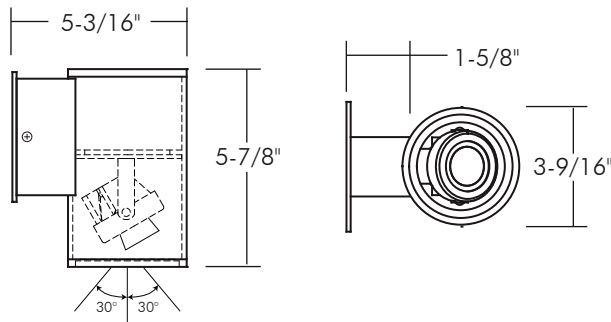
FOOTCANDLE DISTRIBUTION

| | | | |
|-------------------|----------|-------------|------|
| System Power | : 8.8W | Multipliers | |
| Test Date | : 3/2016 | 4000K | 1.33 |
| Beam Angle 50% | : 36.2° | 3500K | 1.17 |
| Field Angle 10% | : 65.3° | 2700K | 0.90 |
| Color Temperature | : 3000K | | |
| CRI | : 90.0 | | |
| R9 Value | : 73.0 | | |
| Lumens Delivered | : 680Lm | | |
| CBCP | : 1494cd | | |
| Power Factor | : 0.89 | | |



| Height | Beam Diameter | FC |
|--------|---------------|------|
| 8.0' | 5.2' | 23.3 |
| 10.0' | 6.5' | 14.9 |
| 12.0' | 7.8' | 10.4 |
| 16.0' | 10.5' | 5.8 |
| 20.0' | 13.1' | 3.7 |

WD1340J - 4" ROUND 1-DIRECTION ADJUSTABLE WALL MOUNT (IP65) - 700LM SURFACE 1-DIRECTION ADJUSTABLE WALL MOUNT



SPECIFICATION

9W

Application: This WD1 Series Directional Adjustable Wall luminaire can be used in both interior and outdoor settings and can be pointed up or down. Typical locations are in commercial and retail spaces that contain walls and/or columns that require directional lighting. Can be used as downlight for direct illumination or an uplights for indirect illumination of architecture facades.

Housing: Constructed from a round one piece high grade aluminum extrusion with a rectangular extrusion arm, end cap, faceplate and a mounting plate with a powder coat finish. Includes an adjustable led array with optics (rotates 30°), COB LED, reflector and LED driver. Mounting plate is secured to arm with four (4) flat head phillips stainless steel screws. Mounting plate installs onto an electrical junction box. Consult factory for junction box mounting sizes.

Mounting: Fixture includes a mounting bracket for installation directly to a 4" octagonal electrical junction-box.

Faceplate: Round one piece aluminum with powder coat finish, clear tempered glass lens, and silicone o-ring. Faceplate is secured to the housing by threads.

Lumen Maintenance: Minimum 50,000 hours L70 life based on ANSI TM-21 calculations from LM80 standardized test results. See ordering guide for delivered lumens.

Dimming: (-DUN) option is a universal dimming system that works with most 3-Wire ELV, 2-Wire Incandescent and 5-Wire 0-10V fluorescent dimmers.

Electrical: AC 50/60Hz Electronic Direct Current Class 2 driver integrally mounted. Power Factor > 0.90. For cold weather applications (-22°C and above) use -DUN driver option.

Emergency Options: Emergency LED Battery Back-up available, remotely mounted adjacent to housing by installer. When AC power fails, the device immediately switches to the emergency mode, operating the LEDs for a minimum of 90 minutes. Remote test switch, plate cover and junction box included.

Caution: LITON recommends use of surge protectors on the power entering LED Housings. Surge damage is not covered by warranty.

Warranty: Covered by a 5 Year Warranty to be free of defects in materials and craftsmanship. Fixture should not be installed in applications with ambient temperature above 60 degrees C. Doing so will result in reduced lamp life and voided warranty.

Note: Dark Sky compliant when fixture is pointing downward.

Listing: ETL / cETL Listed. Suitable for wet location. Assembled in USA. (IP65).

Finish: A 7-stage electrostatic, polymer process provides a finish that delivers outstanding durability, superior anti-aging, resistance to corrosion and UV-degradation Standard finishes are White, Dark Silver, Basic Bronze, Black. Special order finishes are Light Silver, Dark Grey, Metallic Gold and Metallic Black.

LED: Energy efficient Chip-On-Board (COB) Singular LED Light Source provides for smooth uniform light output, eliminating the multiple shadow effect seen by multiple LED Source products. Binned with 4-step MacAdam ellipses as recommended by ANSI Standard. Available in 2700K, 3000K, 3500K, and 4000K.

Benefit:

- Uniform, low glare illumination
- Durable, corrosion resistant finish
- Emergency back up available
- Singular COB Light Source
- 5 year limited warranty

FEATURE:

ORDERING EXAMPLE : WD1340JB-B45-EMAC

| WD1340J | FINISH | BEAM SPREAD | DIMMING | LED | OPTIONS |
|---------|----------------------------|-------------------------|-----------------------------------|--------------------|-------------------------|
| WD1340J | W :White | -B45 :Flood | Blank :Non-Dimming (120V) | -T27 :2700K | -Blank :None |
| | DS :Dark Silver | -B60 :Wide Flood | UE-DUN :UniDim™(120V/277V) | -T30 :3000K | -EMAC :Emergency |
| | BZ :Basic Bronze | | | -T35 :3500K | |
| | B :Black | | | -T40 :4000K | |
| | LS :Light Silver* | | | | |
| | S :Dark Grey* | | | | |
| | MG :Metallic Gold* | | | | |
| | MB :Metallic Black* | | | | |

*Special order finish. Minimum order, extended lead time may apply. Consult factory.

WD1340J - PHOTOMETRY

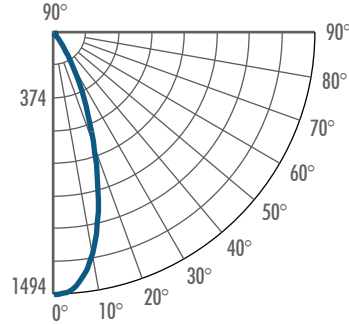
4" Round 1-Direction Adjustable Wall Mount

WD1340JB45-T30 - 700lm - 3000K

CANDELA TABULATION

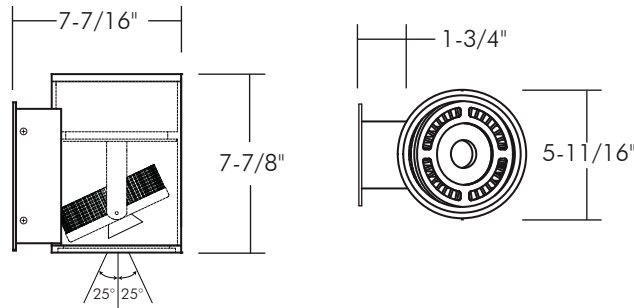
FOOTCANDLE DISTRIBUTION

| | | | |
|-------------------|----------|-------------|------|
| System Power | : 8.8W | Multipliers | |
| Test Date | : 3/2016 | 4000K | 1.33 |
| Beam Angle 50% | : 36.2° | 3500K | 1.17 |
| Field Angle 10% | : 65.3° | 2700K | 0.90 |
| Color Temperature | : 3000K | | |
| CRI | : 90.0 | | |
| R9 Value | : 73.0 | | |
| Lumens Delivered | : 680Lm | | |
| CBCP | : 1494cd | | |
| Power Factor | : 0.89 | | |



| Height | Beam Diameter | FC |
|--------|---------------|------|
| 8.0' | 5.2' | 23.3 |
| 10.0' | 6.5' | 14.9 |
| 12.0' | 7.8' | 10.4 |
| 16.0' | 10.5' | 5.8 |
| 20.0' | 13.1' | 3.7 |

WD1360J - 6" ROUND 1-DIRECTION ADJUSTABLE WALL MOUNT (IP65) - 1500LM SURFACE 1-DIRECTION ADJUSTABLE WALL MOUNT



SPECIFICATION

15W

Application: This WD1 Series Directional Adjustable Wall luminaire can be used in both interior and outdoor settings and can be pointed up or down. Typical locations are in commercial and retail spaces that contain walls and/or columns that require directional lighting. Can be used as downlight for direct illumination or an uplights for indirect illumination of architecture facades.

Housing: Constructed from a round one piece high grade aluminum extrusion with a rectangular extrusion arm, end cap, faceplate and a mounting plate with a powder coat finish. Includes an adjustable led array with optics (rotates 25°), COB LED, reflector and LED driver. Mounting plate is secured to arm with four (4) flat head phillips stainless steel screws. Mounting plate installs onto an electrical junction box. Consult factory for junction box mounting sizes.

Mounting: Fixture includes a mounting bracket for installation directly to a 4" octagonal electrical junction-box.

Faceplate: Round one piece aluminum with powder coat finish, clear tempered glass lens, and silicone o-ring. Faceplate is secured to the housing by threads.

Lumen Maintenance: Minimum 50,000 hours L70 life based on ANSI TM-21 calculations from LM80 standardized test results. See ordering guide for delivered lumens.

Dimming: (-DUN) option is a universal dimming system that works with most 3-Wire ELV, 2-Wire Incandescent and 5-Wire 0-10V fluorescent dimmers.

Electrical: AC 50/60Hz Electronic Direct Current Class 2 driver integrally mounted. Power Factor > 0.90. For cold weather applications (-22°C and above) use -DUN driver option.

Emergency Options: Emergency LED Battery Back-up available, remotely mounted adjacent to housing by installer. When AC power fails, the device immediately switches to the emergency mode, operating the LEDs for a minimum of 90 minutes. Remote test switch, plate cover and junction box included.

Caution: LITON recommends use of surge protectors on the power entering LED Housings. Surge damage is not covered by warranty.

Optional: Integral Surface Mounted Junction Box – The surface mounted, weatherproof junction box provides a clean finished look in situations where a recessed junction box is not an option. This feature includes four (4) conduit ports along with two (2) closure plugs.

Warranty: Covered by a 5 Year Warranty to be free of defects in materials and craftsmanship. Fixture should not be installed in applications with ambient temperature above 60 degrees C. Doing so will result in reduced lamp life and voided warranty.

Note: Dark Sky compliant when fixture is pointing downward.

Listing: ETL / cETL Listed. Suitable for wet location. Assembled in USA. (IP65).

Finish: A 7-stage electrostatic, polymer process provides a finish that delivers outstanding durability, superior anti-aging, resistance to corrosion and UV-degradation Standard finishes are White, Dark Silver, Basic Bronze, Black. Special order finishes are Light Silver, Dark Grey, Metallic Gold and Metallic Black.

LED: Energy efficient Chip-On-Board (COB) Singular LED Light Source provides for smooth uniform light output, eliminating the multiple shadow effect seen by multiple LED Source products. Binned with 4-step MacAdam ellipses as recommended by ANSI Standard. Available in 3000K, 3500K, and 4000K.

Benefit:

- Daylight Sensor available
- Uniform, low glare illumination
- Durable, corrosion resistant finish
- Emergency back up available
- Singular COB Light Source
- 5 year limited warranty

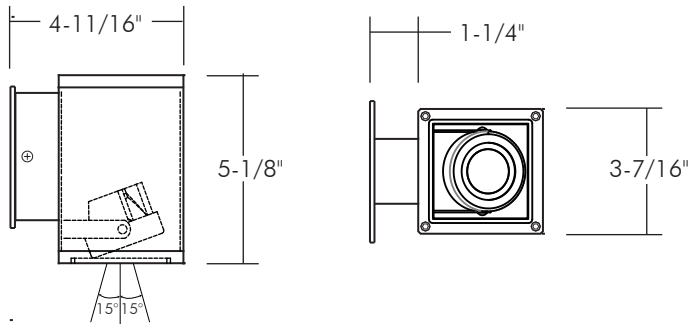
FEATURE:

ORDERING EXAMPLE : WD1360JB-B25-EMAC

| WD1360J | FINISH | BEAM SPREAD | DIMMING | LED | OPTIONS |
|---------|---------------------|--------------------|----------------------------|-------------|--------------------------------------|
| WD1360J | W :White | -B12 :Spot | Blank :Non-Dimming (120V) | -T27 :2700K | -Blank :None |
| | DS :Dark Silver | -B24 :Narrow Flood | UE-DUN:UniDim™ (120V/277V) | -T30 :3000K | -EMAC :Emergency |
| | BZ :Basic Bronze | -B36 :Flood | | -T35 :3500K | -SDL :Daylight Sensor* |
| | B :Black | -B50 :Wide Flood | | -T40 :4000K | -JB :Integral Junction Box 1-Outlet |
| | LS :Light Silver* | | | | -JB2 :Integral Junction Box 2-Outlet |
| | S :Dark Grey* | | | | |
| | MG :Metallic Gold* | | | | |
| | MB :Metallic Black* | | | | |

* Special Order. Minimum order, extended lead time may apply. Consult factory.

WD1Q340J - 4" SQUARE 1-DIRECTION ADJUSTABLE WALL MOUNT (IP65) - 700LM SURFACE 1-DIRECTION ADJUSTABLE WALL MOUNT



SPECIFICATION

9W

Application: This WD1 Series Directional Adjustable Wall luminaire can be used in both interior and outdoor settings and can be pointed up or down. Typical locations are in commercial and retail spaces that contain walls and/or columns that require directional lighting. Can be used as downlight for direct illumination or an uplights for indirect illumination of architecture facades.

Housing: Constructed from a square one piece high grade aluminum extrusion with a rectangular extrusion arm, end cap, faceplate and a mounting plate with a powder coat finish. Includes an adjustable led array with optics (rotates 15°), COB LED, reflector and LED driver. Mounting plate is secured to arm with four (4) flat head phillips stainless steel screws. Mounting plate installs onto an electrical junction box. Consult factory for junction box mounting sizes.

Mounting: Fixture includes a mounting bracket for installation directly to a 4" octagonal electrical junction-box.

Faceplate: Square one piece aluminum with powder coat finish, clear tempered glass lens, and silicone o-ring. Faceplate is secured to the housing by threads. Removable Faceplate, allows for manual adjustment of the LED Module Tilt

Lumen Maintenance: Minimum 50,000 hours L70 life based on ANSI TM-21 calculations from LM80 standardized test results. See ordering guide for delivered lumens.

Dimming: (-DUN) option is a universal dimming system that works with most 3-Wire ELV, 2-Wire Incandescent and 5-Wire 0-10V fluorescent dimmers.

Electrical: AC 50/60Hz Electronic Direct Current Class 2 driver integrally mounted. Power Factor > 0.90. For cold weather applications (-22°C and above) use -DUN driver option.

Emergency Options: Emergency LED Battery Back-up available, remotely mounted adjacent to housing by installer. When AC power fails, the device immediately switches to the emergency mode, operating the LEDs for a minimum of 90 minutes. Remote test switch, plate cover and junction box included.

Caution: LITON recommends use of surge protectors on the power entering LED Housings. Surge damage is not covered by warranty.

Warranty: Covered by a 5 Year Warranty to be free of defects in materials and craftsmanship. Fixture should not be installed in applications with ambient temperature above 60 degrees C. Doing so will result in reduced lamp life and voided warranty.

Note: Dark Sky compliant when fixture is pointing downward.

Listing: ETL / cETL Listed. Suitable for wet location. Assembled in USA. (IP65).

Finish: A 7-stage electrostatic, polymer process provides a finish that delivers outstanding durability, superior anti-aging, resistance to corrosion and UV-degradation Standard finishes are White, Dark Silver, Basic Bronze, Black. Special order finishes are Light Silver, Dark Grey, Metallic Gold and Metallic Black.

LED: Energy efficient Chip-On-Board (COB) Singular LED Light Source provides for smooth uniform light output, eliminating the multiple shadow effect seen by multiple LED Source products. Binned with 4-step MacAdam ellipses as recommended by ANSI Standard. Available in 2700K, 3000K, 3500K, and 4000K.

Benefit:

- Uniform, low glare illumination
- Durable, corrosion resistant finish
- Emergency back up available
- Singular COB Light Source
- 5 year limited warranty

FEATURE:

ORDERING EXAMPLE : WD1Q340JB-B45-EMAC

| WDQ1340J | FINISH | BEAM SPREAD | DIMMING | LED | OPTIONS |
|-----------------|----------------------------|-------------------------|-----------------------------------|--------------------|-------------------------|
| WDQ1340J | W :White | -B45 :Flood | Blank :Non-Dimming (120V) | -T27 :2700K | -Blank :None |
| | DS :Dark Silver | -B60 :Wide Flood | UE-DUN :UniDim™(120V/277V) | -T30 :3000K | -EMAC :Emergency |
| | BZ :Basic Bronze | | | -T35 :3500K | |
| | B :Black | | | -T40 :4000K | |
| | LS :Light Silver* | | | | |
| | S :Dark Grey* | | | | |
| | MG :Metallic Gold* | | | | |
| | MB :Metallic Black* | | | | |

*Special order finish. Minimum order, extended lead time may apply. Consult factory.

WD1Q340J - PHOTOMETRY

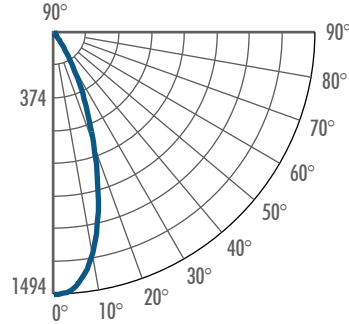
4" Square 1-Direction Adjustable Wall Mount

WD1Q340JB45-T30 - 700lm - 3000K

CANDELA TABULATION

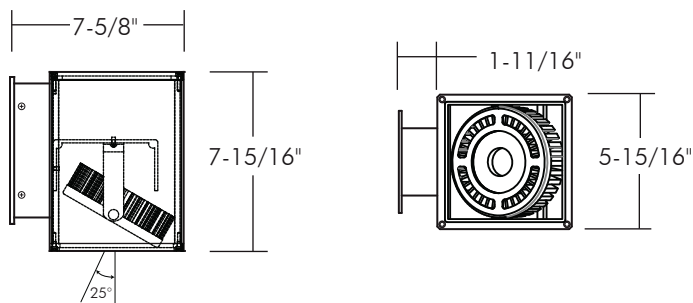
FOOTCANDLE DISTRIBUTION

| | | | |
|-------------------|----------|-------------|------|
| System Power | : 8.8W | Multipliers | |
| Test Date | : 3/2016 | 4000K | 1.33 |
| Beam Angle 50% | : 36.2° | 3500K | 1.17 |
| Field Angle 10% | : 65.3° | 2700K | 0.90 |
| Color Temperature | : 3000K | | |
| CRI | : 90.0 | | |
| R9 Value | : 73.0 | | |
| Lumens Delivered | : 680Lm | | |
| CBCP | : 1494cd | | |
| Power Factor | : 0.89 | | |



| Height | Beam Diameter | FC |
|--------|---------------|------|
| 8.0' | 5.2' | 23.3 |
| 10.0' | 6.5' | 14.9 |
| 12.0' | 7.8' | 10.4 |
| 16.0' | 10.5' | 5.8 |
| 20.0' | 13.1' | 3.7 |

WD1Q360J - 6" SQUARE 1-DIRECTION ADJUSTABLE WALL MOUNT (IP65) - 1500LM SURFACE 1-DIRECTION ADJUSTABLE WALL MOUNT



SPECIFICATION

15W

Application: This WD1 Series Directional Adjustable Wall luminaire can be used in both interior and outdoor settings and can be pointed up or down. Typical locations are in commercial and retail spaces that contain walls and/or columns that require directional lighting. Can be used as downlight for direct illumination or an uplights for indirect illumination of architecture facades.

Housing: Constructed from a square one piece high grade aluminum extrusion with a rectangular extrusion arm, end cap, faceplate and a mounting plate with a powder coat finish. Includes an adjustable led array with optics (rotates 25°), COB LED, reflector and LED driver. Mounting plate is secured to arm with four (4) flat head phillips stainless steel screws. Mounting plate installs onto an electrical junction box. Consult factory for junction box mounting sizes.

Mounting: Fixture includes a mounting bracket for installation directly to a 4" octagonal electrical junction-box.

Faceplate: Square one piece aluminum with powder coat finish, clear tempered glass lens, and silicone o-ring. Faceplate is secured to the housing by threads.

Lumen Maintenance: Minimum 50,000 hours L70 life based on ANSI TM-21 calculations from LM80 standardized test results. See ordering guide for delivered lumens.

Dimming: (-DUN) option is a universal dimming system that works with most 3-Wire ELV, 2-Wire Incandescent and 5-Wire 0-10V fluorescent dimmers.

Electrical: AC 50/60Hz Electronic Direct Current Class 2 driver integrally mounted. Power Factor > 0.90. For cold weather applications (-22°C and above) use -DUN driver option.

Emergency Options: Emergency LED Battery Back-up available, remotely mounted adjacent to housing by installer. When AC power fails, the device immediately switches to the emergency mode, operating the LEDs for a minimum of 90 minutes. Remote test switch, plate cover and junction box included.

Caution: LITON recommends use of surge protectors on the power entering LED Housings. Surge damage is not covered by warranty.

Optional: Integral Surface Mounted Junction Box – The surface mounted, weatherproof junction box provides a clean finished look in situations where a recessed junction box is not an option. This feature includes four (4) conduit ports along with two (2) closure plugs.

Warranty: Covered by a 5 Year Warranty to be free of defects in materials and craftsmanship. Fixture should not be installed in applications with ambient temperature above 60 degrees C. Doing so will result in reduced lamp life and voided warranty.

Note: Dark Sky compliant when fixture is pointing downward.

Listing: ETL / cETL Listed. Suitable for wet location. Assembled in USA. (IP65).

Finish: A 7-stage electrostatic, polymer process provides a finish that delivers outstanding durability, superior anti-aging, resistance to corrosion and UV-degradation Standard finishes are White, Dark Silver, Basic Bronze, Black. Special order finishes are Light Silver, Dark Grey, Metallic Gold and Metallic Black.

LED: Energy efficient Chip-On-Board (COB) Singular LED Light Source provides for smooth uniform light output, eliminating the multiple shadow effect seen by multiple LED Source products. Binned with 4-step MacAdam ellipses as recommended by ANSI Standard. Available in 3000K, 3500K, and 4000K.

Benefit:

- Daylight Sensor available
- Uniform, low glare illumination
- Durable, corrosion resistant finish
- Emergency back up available
- Singular COB Light Source
- 5 year limited warranty

FEATURE:

ORDERING EXAMPLE : WD1Q360JB-B25-EMAC

| WD1Q360J | FINISH | BEAM SPREAD | DIMMING | LED | OPTIONS |
|----------|---------------------|--------------------|---------------------------|-------------|--------------------------------------|
| WD1Q360J | W :White | -B12 :Spot | Blank :Non-Dimming (120V) | -T27 :2700K | -Blank :None |
| | DS :Dark Silver | -B24 :Narrow Flood | UE-DUN:UniDim™(120V/277V) | -T30 :3000K | -EMAC :Emergency |
| | BZ :Basic Bronze | -B36 :Flood | | -T35 :3500K | -SDL :Daylight Sensor* |
| | B :Black | -B50 :Wide Flood | | -T40 :4000K | -LVR :Hex-Cell Louver |
| | LS :Light Silver* | | | | -JB :Integral Junction Box 1-Outlet |
| | S :Dark Grey* | | | | -JB2 :Integral Junction Box 2-Outlet |
| | MG :Metallic Gold* | | | | |
| | MB :Metallic Black* | | | | |

*Special order finish. Minimum order, extended lead time may apply. Consult factory.