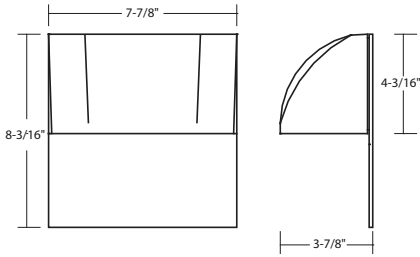


WD1472-USA : 8" x 4" SCOOP

1-DIRECTIONAL WALL MOUNT (IP65) 130LM (15W)



Shown with Signage Plate (-PL)



- U.S. Produced
- BAA/BABA
- Emergency Backup
- Outdoor
- Uplight
- Wet
- Ambient Light
- Downlight
- Dark Sky
- Intertek
- 120V
- 277V
- IP65
- IK08
- ADA Compliant

• **Produced in USA**

- 10W Emergency Battery Option
- Sleek architectural design
- Durable, corrosion resistant finish
- 5-year limited warranty
- IK08 Rated

ORDERING : WD1472-USAB-FRUE-D10-T30-BWW-EM-SDL

WD1472-USA

Fixture	Finish	Lens	Control	LED	Optics	Emergency Options	Options
Finish		Lens		LED		Emergency Options	
White	(RAL 9003) W	Clear		4000K (90 CRI)	Blank	None	Blank
Silver	(RAL 7037) S	Frosted		3000K (90 CRI)	-FR	10W Emergency Battery	-EM
Bronze	(RAL 8019) BZ			3500K (80 CRI)			
Black	(RAL 9005) B						
Light Silver	(RAL 7036) LS ²						
Dark Grey	(RAL 7015) DG ²						
Control		Control		Optics		Options	
Metallic Gold	(RAL 1001) MG ²	Non-Dimming (120V)		None	Blank	None	Blank
Metallic Black	(RAL 7021) MB ²	0-10V Dimming (120V/277V)		Forward Throw (Type IV)	-BIV	Photocell Sensor	-SDL
				Wall Wash	-BWW	Signage Plate	-PL ¹

¹ Special order. Minimum order quantity, extended lead time, and setup fee may apply. Consult factory.

² Special Order Finish. Minimum order quantity (MOQ) applies. Orders less than MOQ are subject to a special paint set-up fee for the quantity ordered. Extended lead times may apply. Consult Factory.

Custom RAL Color: Please note that we appreciate custom finishes. Custom finishes are subject to a special paint setup fee for the quantity ordered. Extended lead times may apply. Consult Factory.

SPECIFICATION

Application

This WD1 series single direction wall mount luminaire can be used for both interior and outdoor locations. The single reflector design can be used for direct illumination downward or indirect illumination upward for new construction or retrofit installations. Typical locations are in residential, commercial, and architectural facades and retail spaces that contain walls and/or columns.

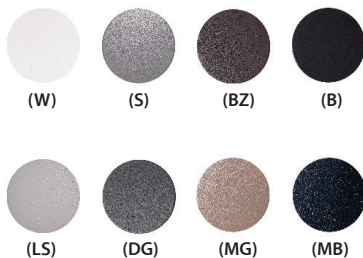
Housing/Arm

Housing and Arm are constructed of one piece rectilinear high grade aluminum extrusions (Alloy 6061 <.04% Cu). Faceplate (with flush mounted tempered glass lens) and end caps are of a robust die cast aluminum alloy sealing the housing (top and bottom) using silicone gaskets. An aluminum alloy mounting plate with a U-bracket installs onto an electrical junction box and secures into the arm with two (2) flat head countersunk phillips head stainless steel screws. Free of burrs and sharp corners and edges.

Mounting:

The 6" high x 4-1/2" wide rectangular mounting plate with U-bracket installs onto a 4" octagonal electrical junction box. For other junction box sizes see installation instructions.

Finish:



A 7-stage electrostatic, polymer process provides an outdoor textured powder coat finish that delivers outstanding durability, superior anti-aging, resistance to corrosion and UV-degradation. Consult factory for Custom Color. (More Information)

Standard Finishes:

White: RAL 9003 (W)
 Silver: RAL 7037 (S)
 Bronze: RAL 8019 (BZ)
 Black: RAL 9005 (B)

Special Order Finishes:

Light Silver: RAL 7036 (LS)
 Dark Gray: RAL 7015 (DG)
 Metallic Gold: RAL 1001 (MG)
 Metallic Black: RAL 7021 (MB)

Certifications and Listings:



ETL / cETL Listed to UL1598 and UL8750 standards.

Suitable wet locations. (IP65)

Produced in USA.

IK08 rated for impact resistance.

ADA compliant and suitable for installation within 4ft of the ground.

Meets NFPA 70/NEC Code on Listings

SPECIFICATION (Continued)

Caution: LITON recommends use of surge protectors on the power entering LED Housings. Surge damage is not covered by warranty.

Warranty

Covered by a 5-Year Warranty to be free of defects in materials and craftsmanship. Fixture should not be installed in applications with ambient temperature above 50°C/122°F. Doing so will result in reduced lamp life and voided warranty.

Optics

Multifaceted aluminum reflector produces low glare illumination with Forward Throw (Type IV) optic.

LED

COB (Chip on Board) singular LED light source provides for smooth, uniform light output, eliminating the imaging produced by multiple LED source optics.

Lumen Maintenance: Lumen Maintenance is a minimum 50,000 hours L70 life based on ANSI TM-21 calculations from LM80 standardized test results.

Lumen Options (Nominal): 130 lm (15W)

Color Temperature: Binned with 4-step MacAdam ellipses as per ANSI Standard recommendation.



COLOR TEMP:	3000K	3500K	4000K
CRI:	90	80	90

Electrical

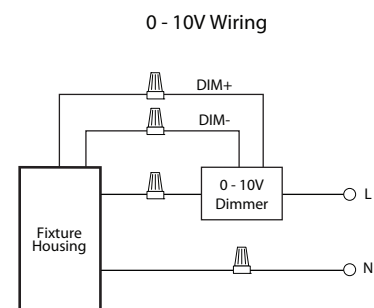
LED Driver: AC 50/60Hz Electronic Direct Current Class 2 driver integrally mounted. Power Factor shall be >90% at full load with THD <20% at full load. Electrical Output shall be isolated. See Dimming Section for voltage and wiring.

Minimum Operating Temperature:
Standard: -10°C/14°F

Control Options

0-10V Driver 120V/277V (UE-D10):

Compatible with most existing 0-10V systems. Also known as fluorescent or 5-Wire dimming. Allows smooth dimming down to 5% depending upon the dimmer's limitations. Compatible with daylight harvesting controls.



SPECIFICATION (Continued)

Emergency Options

When AC power fails, provides 90 minutes of power to the luminaire. In the event of a power failure, the LED Emergency backup switches to the emergency mode and operates the existing fixture for 90 minutes. The unit contains a battery, charger, and converter circuit in a single enclosure.

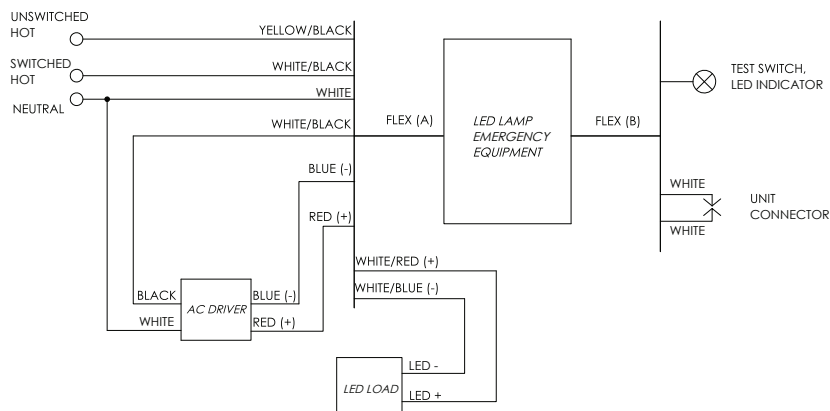
EMERGENCY BATTERY (-EM): 10W

- Must be installed in Dry Locations
- 10W constant output to LED lamp

Not rated for outdoor mounting. Damp location rated.

-EM Lumen Data (Battery)

Fixture/Trim	WD1472-USA
Fixture Wattage:	15W
Fixture Lumens:	130
Multiplier:	0.67
EM Lumens:	90



Input Voltage:	120-277VAC/60Hz
Output Voltage:	10W
Wattage:	10W
Switching Time:	<1s
Charging Time:	24h
Operating Time:	90 minutes
Minimum Temperature:	0°C
Maximum Temperature:	50°C
Self-Diagnostic:	No

SPECIFICATION (Continued)

Additional Options

Photocell Sensor (-SDL):



Sensor enables automatic on/off operation based on ambient light levels, providing dusk-to-dawn functionality.

Power Consumption .5W

Voltage: 120V, 277V

On/Off Levels: On @ 0-2fc / Off @ 2fc or more

Warranty: 2-Year / 5,000 Cycles

Sensor Size: 3/8"

Rating: UL/cUL