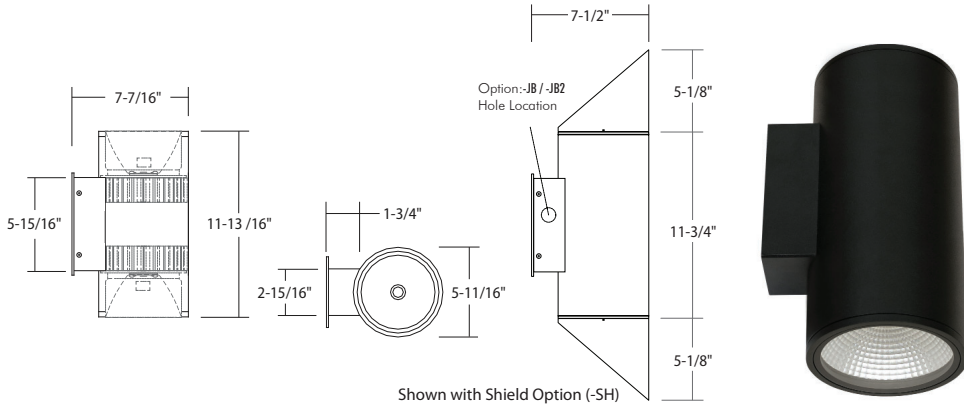


WD2360-USA : 6" ROUND

2-DIRECTION WALL MOUNT (IP65) 2 X 1000LM-2600LM (20W-60W)



- Produced in USA**
- Uniform, Low Glare Illumination
 - Singular COB light source
 - New Integral Emergency Option
 - 13' Mtg. Ht., 22' O.C. Spacing (1000 lumen package)
 - 25' Mtg. Ht., 22' O.C. Spacing (1500 lumen package)
 - 5-Year Limited Warranty
 - Photocell Available
 - Available with Type IV/Forward Throw Optics
 - Available with 347Vac, 0-10V dimming
 - IK08 Rated
 - New Die-Cast Mounting Plate (-WPDC6)

ORDERING : WD2360-USAB-BU20-BD45-UE-D10-EMAC-T27-SDL

WD2360-USA

Fixture	Finish	Lumen	Optics	Control	LED	Emergency Options	Options
Finish		Optics		Control³			Options
White (RAL 9003) W		Ⓢ <i>Beam Up</i>		Ⓣ <i>Beam Down</i>		Non-Dimming (120V)	Blank
Silver (RAL 7037) S		<i>Standard Beams</i>		<i>Standard Beams</i>		0-10V Dimming (120V/277V)	UE-D10
Bronze (RAL 8019) BZ		Wide Flood	Blank	Wide Flood	Blank		Hex-Cell Louver
Black (RAL 9005) B		Narrow Spot	-BU10	Narrow Spot	-BD10		Photocell Sensor
Light Silver (RAL 7036) LS¹		Spot	-BU20	Spot	-BD20	LED	Integral Junction
Dark Grey (RAL 7015) DG¹		Flood	-BU45	Flood	-BD45	2700K (90 CRI)	Box 1-Entry
Metallic Gold (RAL 1001) MG¹						3000K (90 CRI)	Integral Junction
Metallic Black (RAL 7021) MB¹						3500K (90 CRI)	Box 2-Entry
		<i>CleanBeam™ Option</i>		<i>CleanBeam™ Option</i>		4000K (90 CRI)	Junction Box,
		10° Pencil Beam	-CBU10	10° Pencil Beam	-CBD10	5000K (80 CRI)	Conduit Top Entry
		15° Clean Beam	-CBU15	15° Clean Beam	-CBD15		Surge Protector
		35° Clean Beam	-CBU35	35° Clean Beam	-CBD35	Emergency Options	Surge Protector
						None	Surge Protector
		<i>Specialty Beams</i>		<i>Specialty Beams</i>		Remote	Surge Protector
2 x 1000lm (20W)	Blank	Wall Wash	-BUWW	Wall Wash	-BDWW	BackPack (Side Mount)	Surge Protector
2 x 1500lm (30W)	-L15	Forward Throw (Type IV)	-BUIV	Forward Throw (Type IV)	-BDIV	BackPack (Face Mount)	Surge Protector
2 x 2200lm (45W)	-L20	Type II (30° x 60°)	-BUII²	Type II (30° x 60°)	-BDII²	BackPack (Empty, Side Mount)	Surge Protector
2 x 2600lm (60W)	-L26					BackPack (Empty, Face Mount)	Surge Protector

2026.03.20

¹Special Order Finish. Minimum order quantity (MOQ) applies. Orders less than MOQ are subject to a special paint set-up fee for the quantity ordered. Extended lead times may apply. Consult Factory.
²Special Order. Minimum order quantity (MOQ), extended lead time may apply. Consult Factory.
³Standard driver minimum starting temperature is -10°C / 14°F.
⁴Cold Weather (-CW) Starting Temperature -30°C / -22°F.
⁵Blank EM enclosure available for non-EM units to provide a seamless design aesthetic when EM enabled products are installed.
⁶(-EMB-SD) and (-EMB-FC) are not compatible with (-CW) option.
⁹Must Specify Left or Right, see Page 7 for more details.
¹⁰(-LVR) Hex-Cell Louver is not compatible with CleanBeam Options (-CBU10), (-CBU15), (-CBU35), (-CBD10), (-CBD15), (-CBD35).

Energy Efficient Chip-On-Board (COB) Singular LED Light source provides for smooth uniform light output, eliminating the multiple shadow effect seen by multiple LED source products. Binned with 3-Step MacAdam Ellipses as recommended by Ansi Standard. Available in 2700K, 3000K, 3500K, 4000K, 5000K. Custom RAL Color: Please note that we appreciate custom finishes. Custom finishes are subject to a special paint setup fee for the quantity ordered. Extended lead times may apply. Consult Factory.

SPECIFICATION

Application

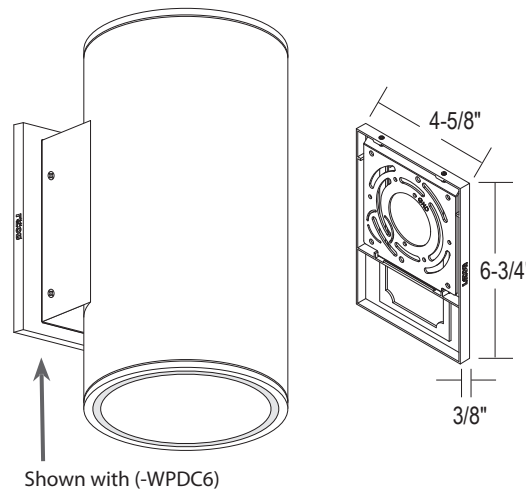
This WD2 series bi-directional wall mount luminaire can be used for both interior and outdoor settings. The dual reflector design can be used for both direct downward and indirect upward illumination for new construction or retrofit installations. Typical locations are in residential, commercial, and architectural facades and retail spaces that contain walls and/or columns.

Housing/Arm

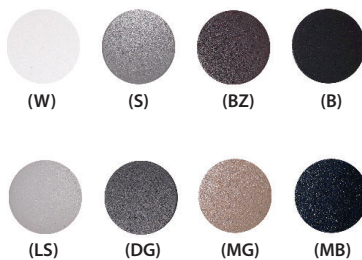
Housing and Arm are constructed of one piece high grade aluminum extrusion (Alloy 6062<.04% Cu). Faceplates (with tempered glass lenses) are of a robust die cast aluminum alloy and seal the housing top and bottom. Faceplates have a silicone o-ring to seal the flush lenses and thread into housing. An aluminum alloy mounting plate with a U-bracket installs onto an electrical junction box and secures into the arm with two (2) flat head countersunk phillips head stainless steel screws.

Mounting:

The standard mounting plate is a 6" high x 4-1/2" plate with a U-Bracket that installs directly onto 3-1/2" or 4" octagonal electrical junction box. (-WPDC6) is a die-cast oversized 6-3/4" high x 4-5/8" plate with a flat bracket designed to mount directly onto a 4" square junction box or a 3-1/2" or 4" octagonal electrical box.



Finish:



A 7-stage electrostatic, polymer process provides an outdoor textured powder coat finish that delivers outstanding durability, superior anti-aging, resistance to corrosion and UV-degradation. Consult factory for Custom Color. (More Information)

Standard Finishes:

White: RAL 9003 (W)
 Silver: RAL 7037 (S)
 Bronze: RAL 8019 (BZ)
 Black: RAL 9005 (B)

Special Order Finishes:

Light Silver: RAL 7036 (LS)
 Dark Gray: RAL 7015 (DG)
 Metallic Gold: RAL 1001 (MG)
 Metallic Black: RAL 7021 (MB)

SPECIFICATION (Continued)

Certifications and Listings:



ETL / cETL Listed to UL1598 and UL8750 standards.

Suitable wet locations. (IP65)

Assembled in USA.

IK08 rated for impact resistance.

Caution:

LITON recommends use of surge protectors on the power entering LED Housings. Surge damage is not covered by warranty.

Warranty

Covered by a 5-Year Warranty to be free of defects in materials and craftsmanship. Fixture should not be installed in applications with ambient temperature above 50°C/122°F. Doing so will result in reduced lamp life and voided warranty.

Optics

Up and Down multifaceted aluminum reflectors produce low glare illumination with multiple light control options.

Standard Beam:

Used for maximum light output and visible field angle.

CleanBeam™:

Used for a direct uniform light output with minimized field angle and to enhance building aesthetics.

LED

COB (Chip on Board) singular LED light source provides for smooth, uniform light output, eliminating the imaging produced by multiple LED source optics.

Lumen Maintenance:

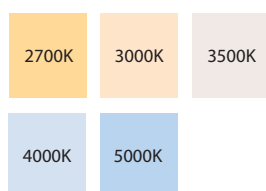
Lumen Maintenance is minimum 50,000 hours L70 life based on ANSI TM-21 calculations from LM80 standardized test results.

Lumen Options (Nominal):

- 2 x 1000lm (20W) (Blank)
- 2 x 1500lm (30W) (-L15)
- 2 x 2200lm (45W) (-L20)
- 2 x 2600lm (64W) (-L26)

Color Temperature:

Binned with 4-step MacAdam ellipses as per ANSI Standard recommendation.



COLOR TEMP:	2700K	3000K	3500K	4000K	5000K
CRI:	90	90	90	90	80

SPECIFICATION (Continued)

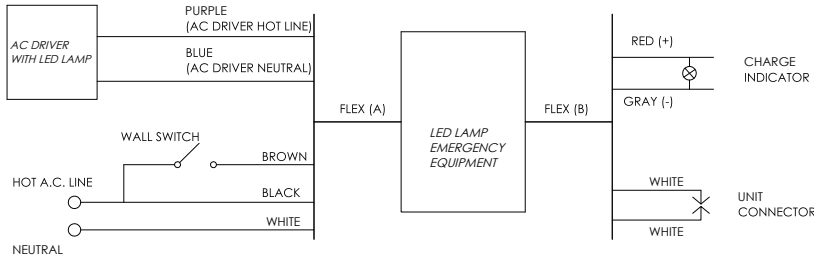
REMOTE LOCATION EMERGENCY INVERTER (-EMAC): 25W and 40W

For installation away from the surface of the building in remote hidden location.

- Hidden Emergency Equipment
- Must be installed in Dry Locations
- Wattage package will determine if 25W or 40W battery gets sent; corresponding wiring diagrams below
- 170 VDC output to AC DRIVER during EM mode

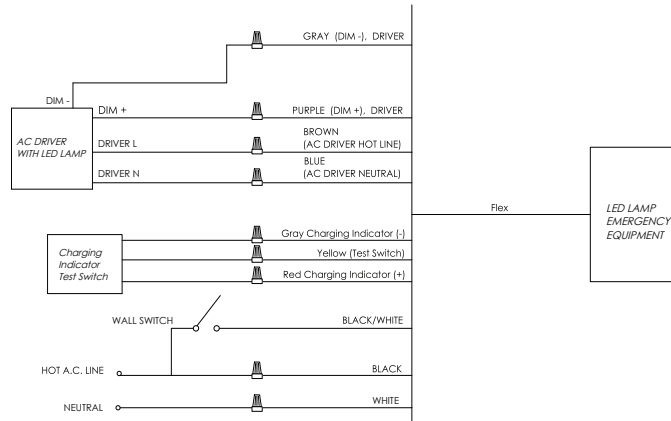
Not rated for outdoor mounting. Damp location rated.

<25W LOAD



Input Voltage:	120-277VAC/60Hz
Output Voltage:	170VDC (120VAC Equivalent)
Wattage:	25W
Switching Time:	<1s
Charging Time:	24h
Operating Time:	90 minutes
Minimum Temperature:	0°C
Maximum Temperature:	50°C
Maximum Lumens:	2200lm
Self-Diagnostic:	No

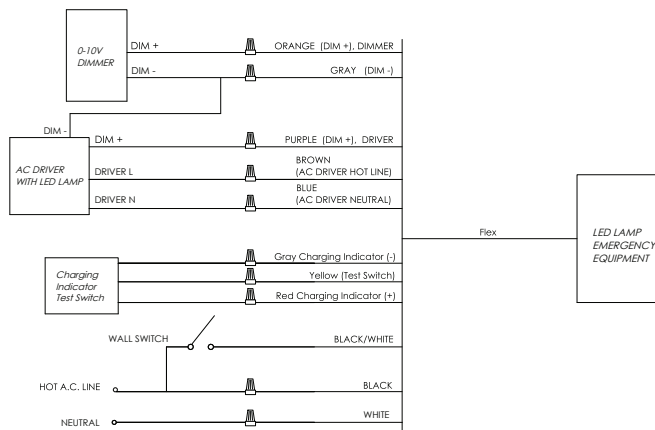
<40W LOAD



Input Voltage:	120-277VAC/60Hz
Output Voltage:	170VDC (120VAC Equivalent)
Wattage:	40W
Switching Time:	<1s
Charging Time:	24h
Operating Time:	90 minutes
Minimum Temperature:	0°C
Maximum Temperature:	50°C
Maximum Lumens:	3500lm
Self-Diagnostic:	Yes

>40W LOAD

- 0-10V dimmable driver required

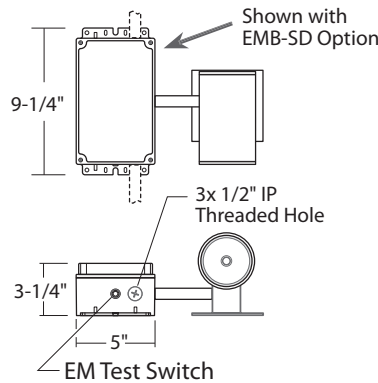


SPECIFICATION (Continued)

BackPack Side Mount (-EMB-SD/FC):

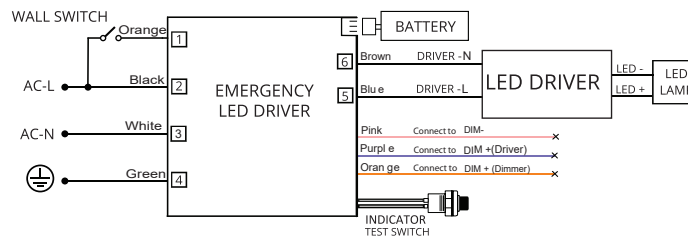
Eliminates need for long runs back to remote emergency battery location. Installs directly on building surface. Ideal for locations wanting same mounting aesthetics for Emergency and Non-Emergency fixtures without the use of remote Emergency power. Can be fed from recessed wall mounted junction box from the back of fixture or surface conduit from side of fixture.

- Wet location rated.
- 120V-347V operation.
- Self diagnostic.
- Integral surge protector for emergency driver only.
- Includes (2) 1/2" NPT knock-outs.
- Optional -EMB-BLANK can be used to maintain a common aesthetic when -EMB-FC are used.

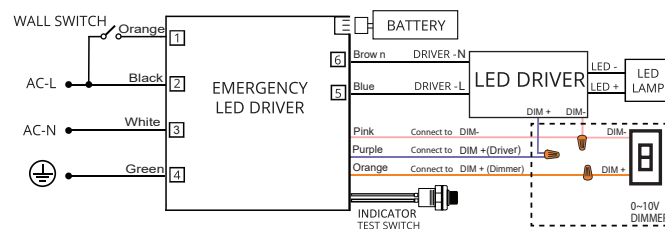


Output Power:	18 Watts (Max)
Input Power:	7 Watts (Max)
Emergency Operation:	≥90 minutes
Operating temp:	0°C/32°F to 50°C/122°F
Input Voltage:	120V-347 VAC
Battery:	Recyclable lithium battery
	24 Hour Recharge
	7-10 Year Life Expectancy
Charge Time:	24 hours
Max Distance:	25'
Weight:	3-3/4 lbs.
Warranty:	5-year
Surge Protection:	Integral 3,000V
Self-diagnostic testing:	Monthly 30 sec. test, Yearly 90 min. test to verify proper emergency operation per life safety code requirements.

(<18W)



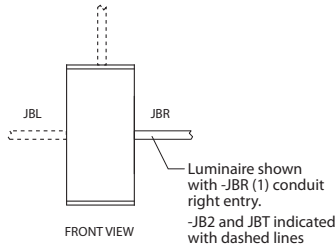
(18W-200W)



SPECIFICATION (Continued)

Additional Options

Optional J-Box (Direct Conduit Entry):



For use with mounting locations without a recessed junction box.

Allows for direct mounting to building surface. Arm may be configured for up to 3 conduit entries (1/2") total; 2 on the sides, 1 on top.

Configure as:

- JBL, JBR: (1) conduit entry from left or right looking at fixture
- JB2 (2) conduit entry on sides
- JBT (1) conduit entry on top

Hexcell Louver (-LVR):



3 mm / .125" (size of the cells) - matte black finish, 45° glare cutoff, unframed.

Photocell (/SDL):



Sensor enables automatic on/off operation based on ambient light levels, providing dusk-to-dawn functionality.

Power Consumption .5W

Voltage: 120V, 277V

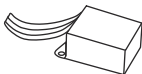
On/Off Levels: On @ 0-2fc / Off @ 2fc or more

Warranty: 2-Year / 5,000 Cycles

Sensor Size: 3/8"

Rating: UL/cUL

Surge Suppressor (/SRG1):



Protects driver against surges in line voltage/current (20KV, 1.2/50µS & 10KA, 8/20µS).

Provides a positive indication of end-of-life by opening voltage to the load.

Surge suppressor is a perishable device requiring periodic replacement.

Not a warranted item.



SPECIFICATION (Continued)

Electrical

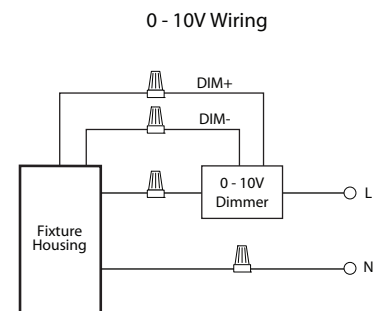
LED Driver: AC 50/60Hz Electronic Direct Current Class 2 driver integrally mounted.
Power Factor > 0.90. See Dimming Section for voltage and wiring.

Minimum Operating Temperature:
Standard: -10°C/14°F
Cold Weather Option: (-CW) -30°C/-22°F

Control Options

0-10V Driver 120V/277V (UE-D10):

Compatible with most existing 0-10V systems. Also known as fluorescent or 5-Wire dimming. Allows smooth dimming down to 5% depending upon the dimmer's limitations. Compatible with daylight harvesting controls.



Marine Grade:

The fixture features a marine-grade textured powder coat finish engineered to withstand extreme environmental conditions, including prolonged exposure to UV radiation, salt air, and moisture, which are prevalent in coastal and high-humidity environments.

A multi-stage surface preparation, finishing, and curing process ensures maximum adhesion, durability, and corrosion resistance. The coating system undergoes rigorous salt spray (ASTM B117) testing, overbake resistance verification, and pencil hardness testing to validate its robustness against degradation.

The marine-grade powder coat is applied as a 30–50 µm bottom layer, providing a strong anti-corrosion foundation. This is further enhanced by a surface coat using a standard architectural-grade powder application with a total thickness of 80–120 µm, ensuring superior resistance to wear, impact, and environmental stressors.