



## SPECIFICATION

### Application

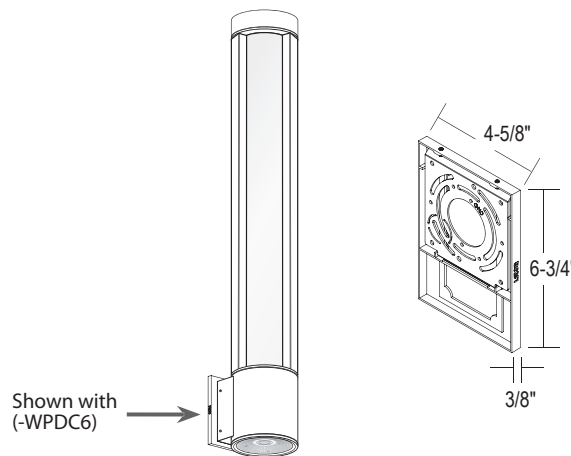
6" diameter LumenPole Double Arm Wall Mount luminaires extend the LumenPole Bollard and Light Column product line to the building entrance and inside. Downlight and Uplight/Downlight options are also available to illuminate the building facade.

### Housing, Arms, Enclosure Lens

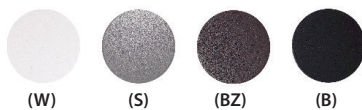
Housing and vertical support Arms are constructed from curvilinear and trapezoid shaped high-grade robust aluminum extrusions. A white opal acrylic lens encloses the openings between the vertical support arms. Threaded end caps (or lens cover if equipped with downlight) are die-cast aluminum and seal the housing (top and bottom) using silicone O-rings and allow access to electrical components. The wall arm is extruded aluminum and welded to the cylindrical housing. The wall arm mounts to a heavy steel wall bracket with four countersunk screws with matching powder coat finish. For specific mounting options see installation instructions.

### Mounting

The standard mounting plate is a 6" high x 4-1/2" plate with a U-Bracket that installs directly onto 3-1/2" or 4" octagonal electrical junction box. (-WPDC6) is a die-cast oversized 6-3/4" high x 4-5/8" plate with a flat bracket designed to mount directly onto a 4" square junction box or a 3-1/2" or 4" octagonal electrical box.



### Finish



A 7-stage electrostatic, polymer process provides an outdoor textured powder coat finish that delivers outstanding durability, superior anti-aging, resistance to corrosion and UV-degradation. Consult factory for Custom Color.

#### Standard Finishes:

White: RAL 9003 (W)  
 Silver: RAL 7037 (S)  
 Bronze: RAL 8019 (BZ)  
 Black: RAL 9005 (B)

Consult factory for Custom Color.

Paint does not contain any copper compounds or elements.

**SPECIFICATION (Continued)**

**Warranty**

Covered by a 5-Year Warranty to be free of defects in materials and craftsmanship. Fixture should not be installed in applications with ambient temperature above 60°C. Doing so will result in reduced lamp life and voided warranty.

**Optics**

White Opal Acrylic enclosure lens produces a smooth Symmetric Wide (-SYM-W) distribution. Downlight/Uplight aluminum reflectors produce low glare illumination with multiple light control options.

**LED**

LED arrays mount to vertical triangular core to radially illuminate the white opal lens. Triangular core design produces a full 360° illumination. Standard LED arrays come in 80 CRI. Consult Factory for any custom setups (colors or CRI). Downlight/Uplight powered by COB (Chip on Board) singular LED light source which provides smooth, uniform light output, eliminating the multiple imaging produced by multiple LED source optics. Binned with 4-step MacAdam ellipses as per ANSI Standard recommendation.

**Lumen Maintenance:**

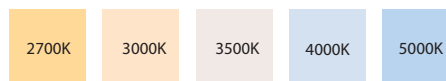
Minimum 50,000 hours L70 life based on ANSI TM-21 calculations from LM80 standardized test results.

**Lumen Options (Delivered):**

1500lm (18W) Pole light only.  
 1000lm (10W), 1500lm (15W), 2000lm (20W), 2600lm (30W) Downlight only.  
 2000lm (20W), 3000lm (30W), 4000lm (40W), 5200lm (60W) Downlight and uplight only.

**Color Temperature Pole Light Only:**

COLOR TEMP:	2700K	3000K	3500K	4000K	5000K
CRI:	80	80	80	80	80



**RGBW:**



For applications desiring a dynamic color changing effect. RGBW design allows fine-tuned pastel colors and saturated hues without sacrificing illumination brightness. Can be set for static colors or dynamic shows. Multiple control options available with either Wireless Bluetooth control or DMX 512 remote mounted decoders.

On-site commissioning and programming available.

Consult Factory for Layout Assistance and Lead Times.

## SPECIFICATION (Continued)

### Electrical

LED Driver: AC 50/60Hz Electronic Direct Current Class 2 driver integrally mounted. Incoming power connects to Terminal Blocks. Power Factor > 0.90.

**Minimum Operating Temperature:**

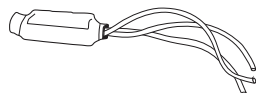
Standard: -22°F/-30°C

Cold Weather: -40°F/-40°C

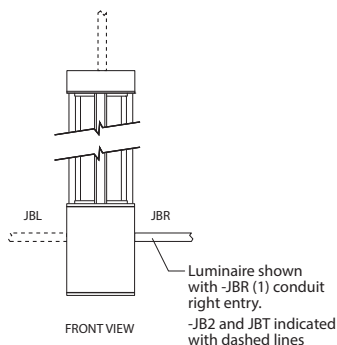
### Additional Options



Photocell (-SDL): Installed internally in fixture. Sensor enables automatic on/off operation based on ambient light levels, providing dusk-to-dawn functionality.



Surge Protector (-SRG): Protects driver against surges in line voltage/current (20KV, 1.2/50µS & 10KA, 8/20µS). At end-of-life Suppressor opens the circuit to protect the driver. Surge suppressor is a perishable device requiring periodic replacement. Not a warranted item



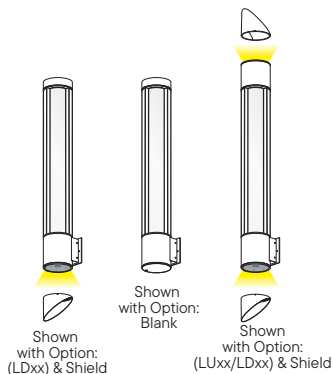
**Optional J-Box (Direct Conduit Entry):**

For use with mounting locations without a recessed junction box.

Allows for direct mounting to building surface. Arm may be configured for up to 3 conduit entries (1/2") total; 2 on the sides, 1 on top.

Configure as:

- JBL/JBR:** (1) Conduit entry in wall arm support from left or right looking at fixture as shown
- JB2:** (2) Conduit entry on both sides in wall arm support
- JBT:** (1) Conduit entry on top of wall arm support



**Shield Option Compatability**

Shield option is only available for luminaires with LDxx Downlight and LDxx/LUxx Uplight/Downlight option

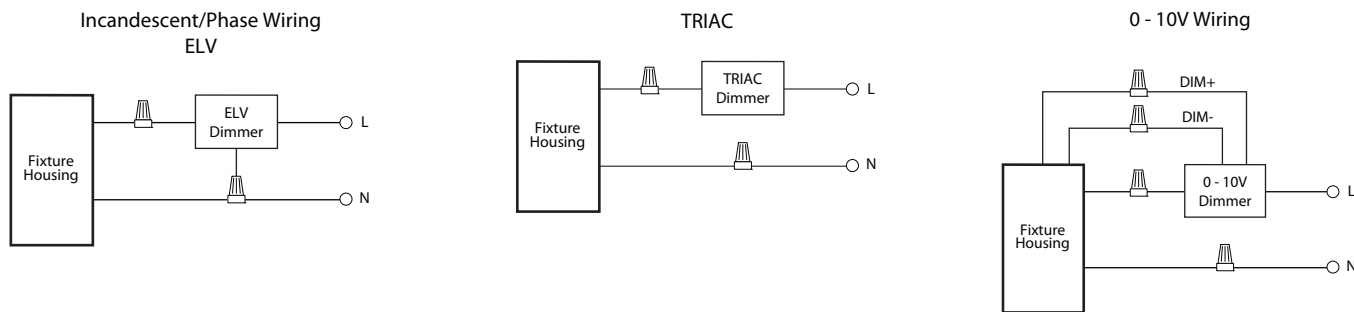
- LD10                      -LU10
- LD15                      -LU15
- LD20                      -LU20
- LD26                      -LU26

## SPECIFICATION (Continued)

### Dimming Options

#### UniDim™ Driver 120V/277V (UE-DUN):

All in one ELV and TRIAC phase dimming (120V only), and 0-10V dimming (120V/277V). Works with most 3-Wire ELV, 2-Wire incandescent and 120V/277V 5-Wire 0-10V fluorescent dimmers.



### WIRELESS FIXTURE DIMMING CONTROL (-DCSM) CASAMBI

- Wireless technology with (BLE) Bluetooth Low Energy
- Mesh network connectivity and control
- Signal can be boosted by enabling openings near the module. Consult Factory.



### Certifications and Listings



ETL / cETL Listed to UL1598 and UL8750 standards.

Suitable wet locations. (IP65)

Assembled in USA.

IK08 rated - Protected against 5 joules impact. Equivalent to impact of 1.7 kg mass dropped from 300 mm above impacted surface.

#### Caution:

LITON recommends use of surge protectors on incoming power. Locate them in the most convenient servicing location. Surge damage is not covered by warranty.

**SPECIFICATION (Continued)**

**Marine Grade**

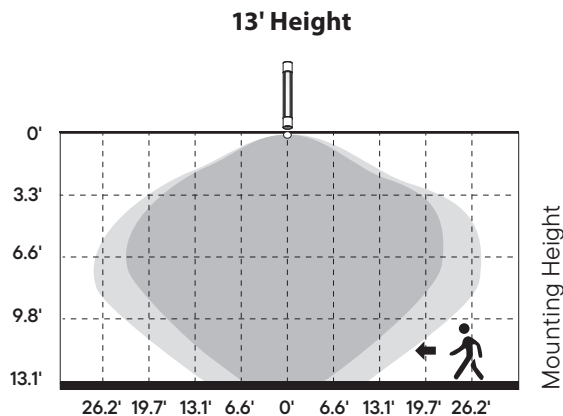
The fixture features a marine-grade textured powder coat finish engineered to withstand extreme environmental conditions, including prolonged exposure to UV radiation, salt air, and moisture, which are prevalent in coastal and high-humidity environments.

A multi-stage surface preparation, finishing, and curing process ensures maximum adhesion, durability, and corrosion resistance. The coating system undergoes rigorous salt spray (ASTM B117) testing, overbake resistance verification, and pencil hardness testing to validate its robustness against degradation.

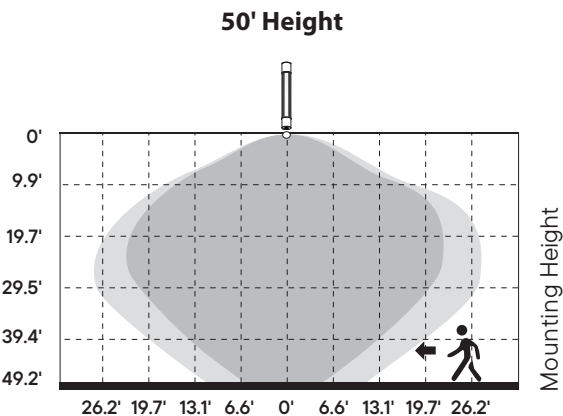
The marine-grade powder coat is applied as a 30–50 µm bottom layer, providing a strong anti-corrosion foundation. This is further enhanced by a surface coat using a standard architectural-grade powder application with a total thickness of 80–120 µm, ensuring superior resistance to wear, impact, and environmental stressors.

**Unisense™ PROGRAMMABLE MOTION + DAYLIGHT (-SUN-INT, -SUN-INT-1227)**

- Microwave and PIR (Passive Infrared) sensors depending on option
- Daylight harvesting
- Dusk/dawn sensing capabilities
- Motion Sensor



13.1 ft max. distance with 100% sensitivity



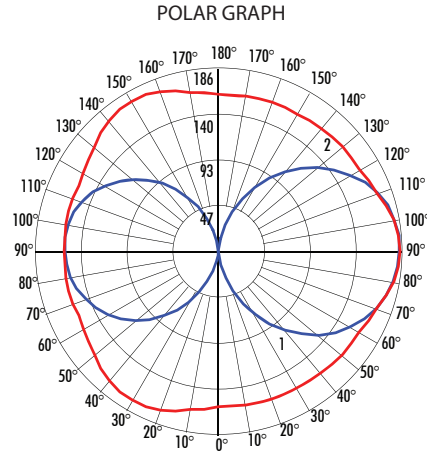
49.2 ft max. distance with 100% sensitivity

Well Detected Area
  Possibly Detected Area
 
 1.6-3.3 ft/s

## PHOTOMETRY

### WD261R-19B-T30-C80 (28" Height, 18W, 3000K Pole Light Only)

System Power:	17.3W	MULTIPLIERS	
Test Date:	09/2023	19"	0.74
Beam Angle 50%:	180.0°	<b>28"</b>	<b>1.00</b>
Field Angle 10%:	180.0°	36°	1.06
Color Temperature:	3000K		
CRI:	80		
Lumens Delivered:	1160		
CBCP:	185		
Power Factor:	0.99		

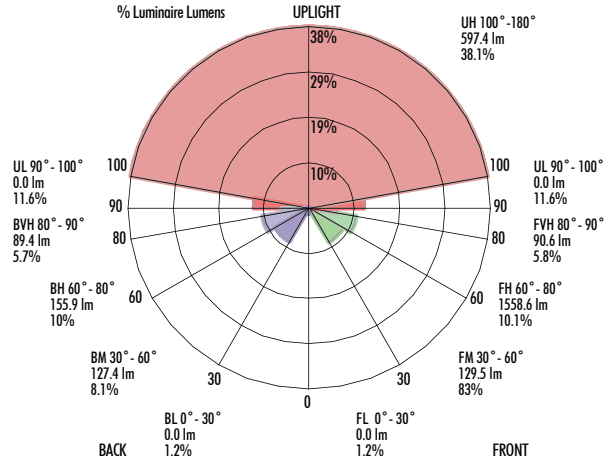


Maximum Candela = 186 Located At Horizontal Angle = 0, Vertical Angle = 95  
 # 1 - Vertical Plane Through Horizontal Angles (0 - 180) (Through Max. Cd.)  
 # 2 - Horizontal Cone Through Vertical Angle (95) (Through Max. Cd.)

### LCS TABLE

BUG RATING	B1-U4-G1	
	Lumens	Lumens %
<b>FRONT</b>		
Low (0-30°)	0.0	1.2%
Medium (30°-60°)	129.5	8.3%
High (60°-80°)	158.6	10.1%
Very High (80°-90°)	90.6	5.8%
<b>BACK</b>		
Low (0-30°)	0.0	1.2%
Medium (30°-60°)	127.4	8.1%
High (60°-80°)	155.9	10.0%
Very High (80°-90°)	89.4	5.7%
<b>UPLIGHT</b>		
Low (90°-100°)	0.0	11.6%
High (100°-180°)	597.4	38.1%

### LCS GRAPH



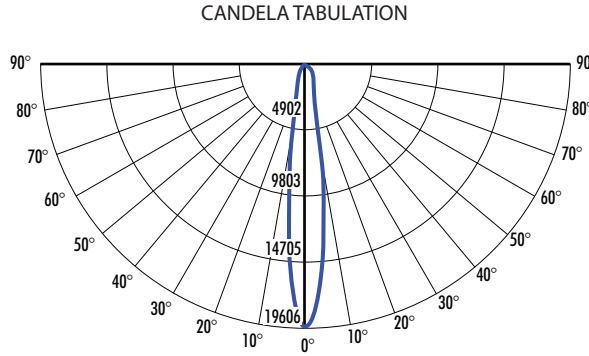
2024.08.08

\*Lumens delivered

## PHOTOMETRY

### WD261R-19B-L26-BD10-T40-C90 (2600lm, 28W, Narrow Spot, 4000K Downlight Only)

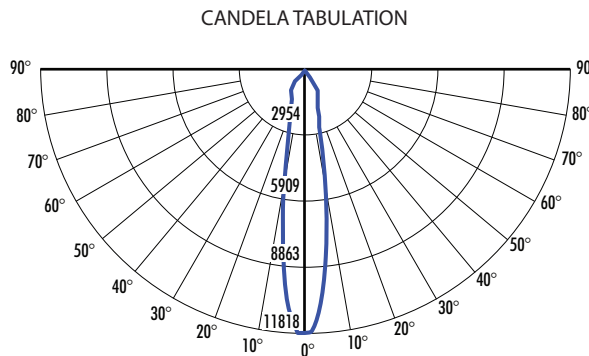
System Power:	31W	MULTIPLIERS	
Test Date:	12/2023	CCT	
Beam Angle 50%:	14.9°	2700K	0.88
Field Angle 10%:	33.1°	3000K	0.92
Color Temperature:	4151K	3500K	1.00
CRI:	92.4	<b>4000K</b>	<b>1.00</b>
Lumens Delivered:	3106	5000K	1.00
CBCP:	19606.1	LUMENS	
Power Factor:	0.97	1000lm (Blank)	0.38
Input Voltage:	120V	1500lm (L15)	0.53
		2200lm (L20)	0.72
		<b>2600lm (L26)</b>	<b>1.00</b>



Height	Beam Diameter											FC
	50°	40°	30°	20°	10°	0°	10°	20°	30°	40°	50°	
99.0'						25.9'						2
16.0'						4.2'						77
15.0'						3.9'						87
14.0'						3.7'						100
12.0'						3.1'						136
10.0'						2.6'						196
8.0'						2.1'						306
6.0'						1.6'						545
5.0'						1.3'						784
4.0'						1.1'						1125

### WD261R-19B-L26-BD20-T40-C90 (2600lm, 28W, Spot, 4000K Downlight Only)

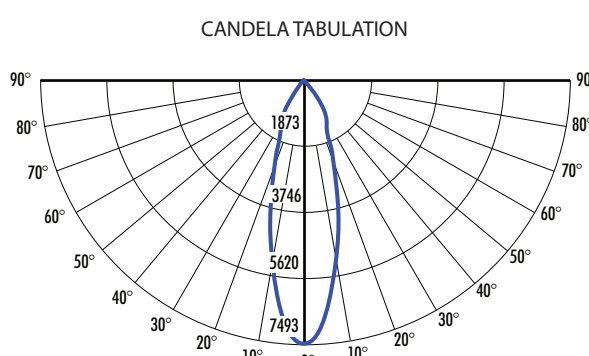
System Power:	31W	MULTIPLIERS	
Test Date:	12/2023	CCT	
Beam Angle 50%:	18.9°	2700K	0.88
Field Angle 10%:	62.3°	3000K	0.92
Color Temperature:	4151K	3500K	1.00
CRI:	92.4	<b>4000K</b>	<b>1.00</b>
Lumens Delivered:	2880	5000K	1.00
CBCP:	11817.5	LUMENS	
Power Factor:	0.97	1000lm (Blank)	0.38
Input Voltage:	120V	1500lm (L15)	0.53
		2200lm (L20)	0.72
		<b>2600lm (L26)</b>	<b>1.00</b>



Height	Beam Diameter											FC
	50°	40°	30°	20°	10°	0°	10°	20°	30°	40°	50°	
76.0'						25.3'						2
16.0'						5.3'						46
15.0'						5.0'						53
14.0'						4.7'						60
12.0'						4.0'						82
10.0'						3.3'						118
8.0'						2.7'						185
6.0'						2.0'						328
5.0'						1.7'						473
4.0'						1.3'						739

### WD261R-19B-L26-BD45-T40-C90 (2600lm, 28W, Flood, 4000K Downlight Only)

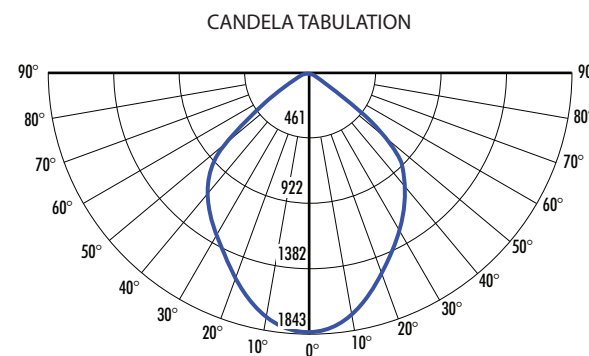
System Power:	31W	MULTIPLIERS	
Test Date:	12/2023	CCT	
Beam Angle 50%:	29.1°	2700K	0.88
Field Angle 10%:	71.1°	3000K	0.92
Color Temperature:	4151K	3500K	1.00
CRI:	92.4	<b>4000K</b>	<b>1.00</b>
Lumens Delivered:	3020	5000K	1.00
CBCP:	7492.8	LUMENS	
Power Factor:	0.97	1000lm (Blank)	0.28
Input Voltage:	120V	1500lm (L15)	0.38
		2200lm (L20)	0.72
		<b>2600lm (L26)</b>	<b>1.00</b>



Height	Beam Diameter											FC
	50°	40°	30°	20°	10°	0°	10°	20°	30°	40°	50°	
61.0'						61.7'						2
16.0'						8.3'						29
15.0'						7.8'						33
14.0'						7.3'						38
12.0'						6.2'						52
10.0'						5.2'						75
8.0'						4.2'						117
6.0'						3.1'						208
5.0'						2.6'						300
4.0'						2.1'						468

### WD261R-19B-L26-BD60-T40-C90 (2600lm, 28W, Wide Flood, 4000K Downlight Only)

System Power:	31W	MULTIPLIERS	
Test Date:	12/2023	CCT	
Beam Angle 50%:	91.0°	2700K	0.88
Field Angle 10%:	119.0°	3000K	0.92
Color Temperature:	4151K	3500K	1.00
CRI:	92.4	<b>4000K</b>	<b>1.00</b>
Lumens Delivered:	3138	5000K	1.00
CBCP:	1843.1	LUMENS	
Power Factor:	0.97	1000lm (Blank)	0.39
Input Voltage:	120V	1500lm (L15)	0.53
		2200lm (L20)	0.72
		<b>2600lm (L26)</b>	<b>1.00</b>



Height	Beam Diameter											FC
	50°	40°	30°	20°	10°	0°	10°	20°	30°	40°	50°	
30.0'						61.1'						2
16.0'						32.6'						7
15.0'						30.5'						8
14.0'						28.5'						9
12.0'						24.4'						13
10.0'						20.4'						18
8.0'						16.3'						29
6.0'						12.2'						51
5.0'						10.2'						74
4.0'						8.1'						115

2024.08.08

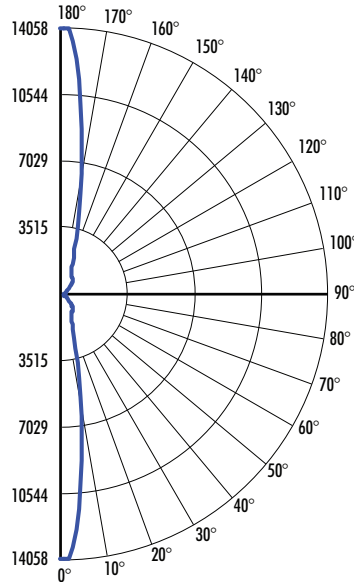
## PHOTOMETRY

### WD261R-19B-L26-BU10-BD10-T40-C90 (2x2600lm, 60W, Narrow Spot, 4000K Uplight/Downlight)

System Power: 61.6W  
 Test Date: 02/2024  
 Beam Angle 50%: 15.1°  
 Field Angle 10%: 33.4°  
 Color Temperature: 4131K  
 CRI: 92.7  
 Lumens Delivered: 2x3129.2  
 CBCP: 18691.7  
 Power Factor: 0.96

MULTIPLIERS	
CCT	
2700K:	0.88
3000K:	0.92
3500K:	1.00
<b>4000K:</b>	<b>1.00</b>
Lumens	
Blank	0.39
-L15	0.53
-L20	0.72
<b>-L26</b>	<b>1.00</b>

CANDELA TABULATION



FOOTCANDLE DISTRIBUTION

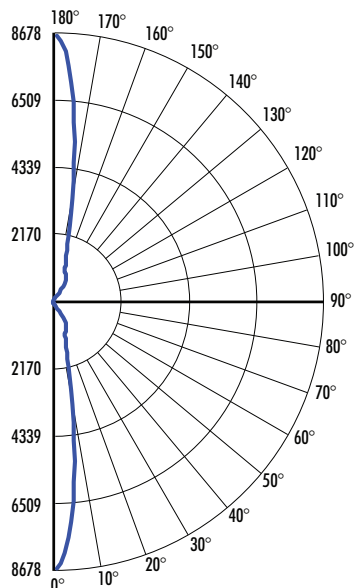
Height	Beam Diameter	FC
16.0'	4.24'	76.06
14.0'	3.71'	99.34
12.0'	3.18'	135.21
10.0'	2.65'	194.70
8.0'	2.12'	304.23
8.0'	2.12'	304.23
10.0'	2.65'	194.70
12.0'	3.18'	135.21
14.0'	3.71'	99.34
16.0'	4.24'	76.06

### WD261R-19B-L26-BU20-BD20-T40-C90 (2x2600lm, 60W, Spot, 4000K Uplight/Downlight)

System Power: 61.6W  
 Test Date: 02/2024  
 Beam Angle 50%: 18.7°  
 Field Angle 10%: 61.6°  
 Color Temperature: 4116K  
 CRI: 92.6  
 Lumens Delivered: 2x2898.6  
 CBCP: 11571.2  
 Power Factor: 0.96

MULTIPLIERS	
CCT	
2700K:	0.88
3000K:	0.92
3500K:	1.00
<b>4000K:</b>	<b>1.00</b>
Lumens	
Blank	0.39
-L15	0.53
-L20	0.72
<b>-L26</b>	<b>1.00</b>

CANDELA TABULATION



FOOTCANDLE DISTRIBUTION

Height	Beam Diameter	FC
16.0'	5.27'	47.08
14.0'	4.61'	61.50
12.0'	3.95'	83.70
10.0'	3.29'	120.53
8.0'	2.63'	188.33
8.0'	2.63'	188.33
10.0'	3.29'	120.53
12.0'	3.95'	83.70
14.0'	4.61'	61.50
16.0'	5.27'	47.08

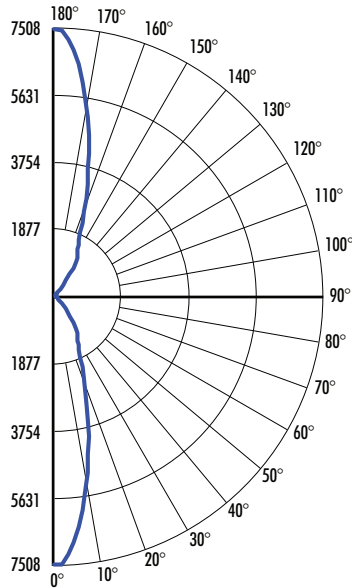
## PHOTOMETRY

### WD261R-19B-L26-BU45-BD45-T40-C90 (2x2600lm, 60W, Flood, 4000K Uplight/Downlight)

System Power: 61.6W  
 Test Date: 02/2024  
 Beam Angle 50%: 29.0°  
 Field Angle 10%: 71.2°  
 Color Temperature: 4152K  
 CRI: 92.4  
 Lumens Delivered: 2x3039.5  
 CBCP: 7508.1  
 Power Factor: 0.97

MULTIPLIERS	
CCT	
2700K:	0.88
3000K:	0.92
3500K:	1.00
<b>4000K:</b>	<b>1.00</b>
Lumens	
Blank	0.39
-L15	0.53
-L20	0.72
<b>-L26</b>	<b>1.00</b>

#### CANDELA TABULATION



#### FOOTCANDLE DISTRIBUTION

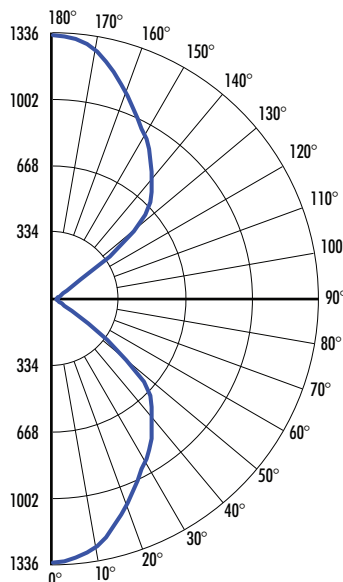
Height	Beam Diameter	FC
16.0'	8.28'	29.33
14.0'	7.24'	38.31
12.0'	6.21'	52.14
10.0'	5.17'	75.08
8.0'	4.14'	117.31
8.0'	4.14'	117.31
10.0'	5.17'	75.08
12.0'	6.21'	52.14
14.0'	7.24'	38.31
16.0'	8.28'	29.33

### WD261R-19B-L26-BU60-BD60-T40-C90 (2x2600lm, 60W, Wide Flood, 4000K Uplight/Downlight)

System Power: 61.6W  
 Test Date: 02/2024  
 Beam Angle 50%: 91.0°  
 Field Angle 10%: 119.0°  
 Color Temperature: 4126K  
 CRI: 92.6  
 Lumens Delivered: 2x3158  
 CBCP: 1780.5  
 Power Factor: 0.96

MULTIPLIERS	
CCT	
2700K:	0.88
3000K:	0.92
3500K:	1.00
<b>4000K:</b>	<b>1.00</b>
Lumens	
Blank	0.39
-L15	0.53
-L20	0.72
<b>-L26</b>	<b>1.00</b>

#### CANDELA TABULATION



#### FOOTCANDLE DISTRIBUTION

Height	Beam Diameter	FC
16.0'	44.86'	7.25
14.0'	28.49'	9.46
12.0'	24.42'	12.88
10.0'	20.35'	18.55
8.0'	16.28'	28.98
8.0'	16.28'	7.25
10.0'	20.35'	18.55
12.0'	24.42'	12.88
14.0'	28.49'	9.46
16.0'	44.86'	7.25