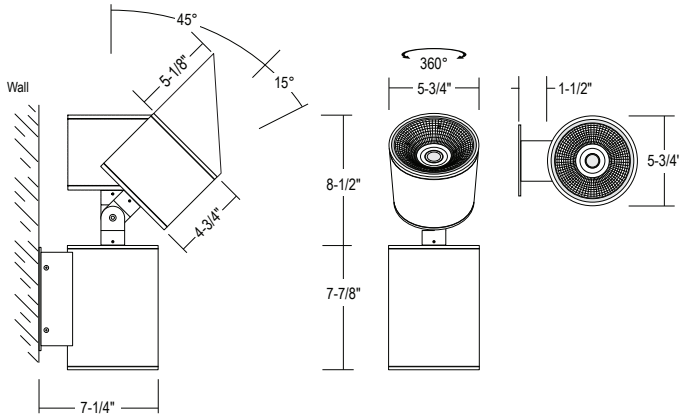


# WDJ360 : 6" BIONIC ROUND

2 X 1000LM-2600LM (20W-60W)



Shown with (-SHA)  
Glare Shield (Adjustable)



- Lockable Adjustability
- Uniform, Low-Glare Illumination
- 120V/277V Input Standard, 347V Available
- Wireless and Wired RGBW Options Available (12W LED)
- Improved Beam Spreads and Color Temperature Options
- Weep Holes for water drainage
- NEW Emergency Back-Pack Option Available
- NEW Glare Shields for eye comfort
- Available with Type IV Forward Throw and Type II Asymmetric Distributions
- IK08 Rated
- New Die-Cast Mounting Plate (-WPDC6)

## ORDERING : WDJ360B-BADJ20-BF45-DIN-EMAC-T27-SDL

### WDJ360

Fixture	Finish	Lumen	Optics (Adjustable)	Optics (Fixed)	Control	LED	Emergency Options	Options	
<b>Finish</b>		<b>Optics</b>		<b>Control<sup>3</sup></b>		<b>Emergency Options</b>			
White	(RAL 9003) <b>W</b>	<i>Adjustable Head</i>		<i>Fixed Head</i>		Non-Dimming (120V)	<b>Blank</b>	None	<b>Blank</b>
Black	(RAL 9005) <b>B</b>	<i>Standard Beams</i>		<i>Standard Beams</i>		TRIAC/ELV Dimming (120V)	<b>-DIN<sup>3</sup></b>	Remote	<b>-EMAC</b>
Bronze	(RAL 8019) <b>BZ</b>	Wide Flood	<b>Blank</b>	Wide Flood	<b>Blank</b>	0-10V Dimming (120V/277V)	<b>UE-D10<sup>3</sup></b>	BackPack (Side Mount)	<b>-EMB-SD<sup>6</sup></b>
Silver	(RAL 7037) <b>S</b>	Narrow Spot	<b>-BADJ10</b>	Narrow Spot	<b>-BD10</b>	UniDim™ 0-10V, TRIAC/ELV Dimming (120V/277V)	<b>UE-DUN<sup>3</sup></b>	BackPack (Face Mount)	<b>-EMB-FC<sup>6</sup></b>
Light Silver	(RAL 7036) <b>LS<sup>1</sup></b>	Spot	<b>-BADJ20</b>	Spot	<b>-BD20</b>	1%, 0-10V Dimming (120V/277V)	<b>UE-D10P1<sup>3</sup></b>	BackPack (Empty, Side Mount)	<b>-EMB-BLANK-SD<sup>5</sup></b>
Dark Grey	(RAL 7015) <b>DG<sup>1</sup></b>	Flood	<b>-BADJ45</b>	Flood	<b>-BD45</b>	0-10V Dimming (347V)	<b>-347-D10<sup>8</sup></b>	BackPack (Empty, Face Mount)	<b>-EMB-BLANK-FC<sup>5</sup></b>
Metallic Gold	(RAL 1001) <b>MG<sup>1</sup></b>	<i>CleanBeam™ Option</i>		<i>CleanBeam™ Option</i>		Casambi Wireless Dimming	<b>-DCSM<sup>2</sup></b>		
Metallic Black	(RAL 7021) <b>MB<sup>1</sup></b>	10° Pencil Beam	<b>-CBADJ10</b>	10° Pencil Beam	<b>-CBD10</b>	BubblyNet Wireless System	<b>-DBNT<sup>10</sup></b>		
<b>Lumen</b>						SimplySnap Wireless System	<b>-DSYN<sup>10</sup></b>		
2 x 1000lm	(20W) <b>Blank</b>					<b>LED</b>		<b>Options</b>	
2 x 1500lm	(30W) <b>-L15</b>					4000K (90 CRI)	<b>Blank</b>	None	<b>Blank</b>
2 x 2200lm	(45W) <b>-L20</b>					2700K (90 CRI)	<b>-T27</b>	Hexcell Louver	<b>-LVR</b>
2 x 2600lm	(60W) <b>-L26</b>					2700K (97 CRI)	<b>-T27-C97<sup>2</sup></b>	Integral Junction Box 1-Entry	<b>-JBL, JBR<sup>9</sup></b>
						3000K (90 CRI)	<b>-T30</b>	Integral Junction Box 2-Entry	<b>-JB2</b>
						3000K (97 CRI)	<b>-T30-C97<sup>2</sup></b>	Junction Box, Conduit Top Entry	<b>-JBT</b>
						3500K (90 CRI)	<b>-T35</b>	Photocell Sensor	<b>-SDL</b>
						5000K (80 CRI)	<b>-T50</b>	Surge Protector	<b>-SRG</b>
						RGB+W Control (24VDC)	<b>-RGBWV24<sup>7</sup></b>	Cold Weather Glare Shield (Adjustable)	<b>-CW<sup>4</sup></b>
								Glare Shield (Adjustable)	<b>-SHA</b>
								Glare Shield (Fixed)	<b>-SHD</b>
								Glare Shield (Adjustable and Fixed)	<b>-SH</b>
								Marine Grade Finish	<b>-MG</b>
								Die-Cast Oversized Mounting Plate	<b>-WPDC6</b>

<sup>1</sup> Special Order Finish. Minimum order quantity (MOQ) applies. Orders less than MOQ are subject to a special paint set-up fee for the quantity ordered. Extended lead times may apply. Consult Factory.  
<sup>2</sup> Special Order. Minimum order quantity (MOQ), extended lead time may apply. Consult Factory.  
<sup>3</sup> Standard Driver Starting Temp -10°C/14°F.  
<sup>4</sup> Cold Weather (-CW) Starting Temperature is -30°C/-22°F.  
<sup>5</sup> Blank EM enclosure available for non-EM units to provide a seamless design aesthetic when EM enabled products are installed.  
<sup>6</sup> (-EMB-SD) and (-EMB-FC) are not compatible with (-CW) option.  
<sup>7</sup> Remote Power Supplies and Control Gear required. Available with Wireless Bluetooth Casambi or DMX 512 control. Consult Factory for Details.  
<sup>8</sup> (-347-D10) not available with 1000lm (10W) Lumen option.  
<sup>9</sup> Must Specify Left or Right, see Page 7 for more details.  
<sup>10</sup> Special Order. Must be ordered with -EMB-BLANK.

Energy Efficient Chip-On-Board (COB) Singular LED Light source provides for smooth uniform light output, eliminating the multiple shadow effect seen by multiple LED source products.

Binned with 3-Step MacAdam Ellipses as recommended by Ansi Standard. Available in 2700k, 3000k, 3500k, 4000k, 5000k.

Custom RAL Color: Please note that we appreciate custom finishes. Custom finishes are subject to a special paint setup fee for the quantity ordered. Extended lead times may apply. Consult Factory.

## SPECIFICATION

### Application

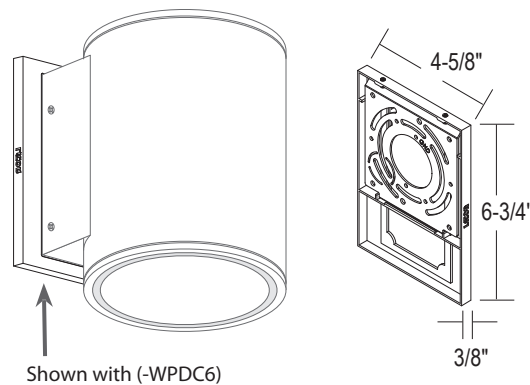
This WDJ series bi-directional wall mount luminaire can be used for both interior and outdoor settings. The dual reflector design can be used for both direct downward and indirect upward illumination for new construction or retrofit installations. Typical locations are in residential, commercial, and architectural facades and retail spaces that contain walls and/or columns.

### Housing/Arm

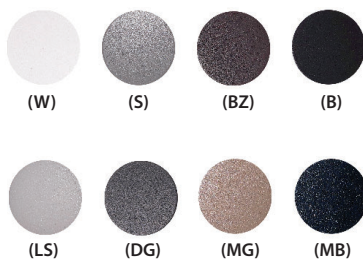
Housing is constructed from a round one piece high grade aluminum extrusion with a rectangular extrusion arm. Extrusions are 6061 alloy; <04% Cu. Top and bottom Faceplates (with flush mounted tempered glass lenses) are of a robust die cast aluminum alloy and seal to the Housing by threading into it. Lenses are sealed via silicone o-rings. An aluminum alloy mounting plate with a U-bracket installs onto an electrical junction box and secures into the arm with two (2) flat head countersunk phillips head stainless steel screws.

### Mounting:

The standard mounting plate is a 6" high x 4-1/2" plate with a U-Bracket that installs directly onto 3-1/2" or 4" octagonal electrical junction box. (-WPDC6) is a die-cast oversized 6-3/4" high x 4-5/8" plate with a flat bracket designed to mount directly onto a 4" square junction box or a 3-1/2" or 4" octagonal electrical box.



### Finish:



A 7-stage electrostatic, polymer process provides an outdoor textured powder coat finish that delivers outstanding durability, superior anti-aging, resistance to corrosion and UV-degradation. Consult factory for Custom Color. (More Information)

#### Standard Finishes:

White: RAL 9003 (W)  
 Silver: RAL 7037 (S)  
 Bronze: RAL 8019 (BZ)  
 Black: RAL 9005 (B)

#### Special Order Finishes:

Light Silver: RAL 7036 (LS)  
 Dark Gray: RAL 7015 (DG)  
 Metallic Gold: RAL 1001 (MG)  
 Metallic Black: RAL 7021 (MB)

**SPECIFICATION (Continued)**

**Certifications and Listings:**



ETL / cETL Listed to UL1598 and UL8750 standards.

Suitable wet locations. (IP65)

Assembled in USA.

IK08 rated for impact resistance.

**Caution:**

Fixtures must be grounded in accordance with national, state and/or local electrical codes. Failure to do so may result in serious personal injury.

**Warranty**

Covered by a 5-Year Warranty to be free of defects in materials and craftsmanship. Fixture should not be installed in applications with ambient temperature above 50°C/122°F. Doing so will result in reduced lamp life and voided warranty.

**Optics**

Up and Down multifaceted aluminum reflectors produce low glare illumination with multiple light control options. Standard Beam: Used for maximum light output and visible field angle. CleanBeam™: LED Used for a direct uniform light output with minimized field angle and to enhance building aesthetics.

**Standard Beam:**

Used for maximum light output and visible field angle.

**CleanBeam™:**

Used for a direct uniform light output with minimized field angle and to enhance building aesthetics.

**LED**

COB (Chip on Board) singular LED light source provides for smooth, uniform light output, eliminating the imaging produced by multiple LED source optics.

**Lumen Maintenance:**

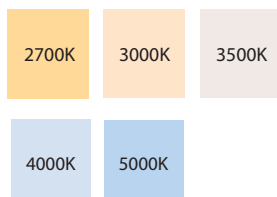
Lumen Maintenance is minimum 50,000 hours L70 life based on ANSI TM-21 calculations from LM80 standardized test results.

**Lumen Options (Nominal):**

- 2 x 1000lm (20W) (Blank)
- 2 x 1500lm (30W) (-L15)
- 2 x 2200lm (45W) (-L20)
- 2 x 2600lm (64W) (-L26)

**Color Temperature:**

Binned with 4-step MacAdam ellipses as per ANSI Standard recommendation.



COLOR TEMP:	2700K	3000K	3500K	4000K	5000K
CRI:	90, 97	90, 97	90	90	80

## SPECIFICATION (Continued)

RGB+W:



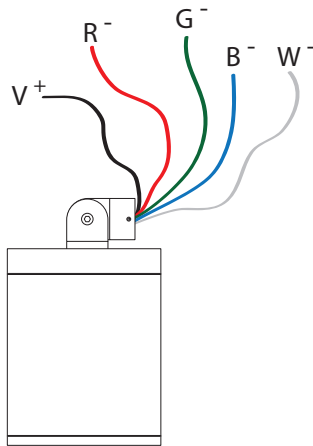
**CASAMBI**

15W RGB+W LED Module Illuminates surfaces up to 10 feet away. Used for applications desiring a dynamic color changing effect. RGB+W design allows fine-tuned pastel colors and saturated hues without sacrificing illumination brightness. Can be set for static colors or dynamic shows. Multiple control options available with either CASAMBI Wireless Bluetooth control or DMX 512 remote mounted decoders.

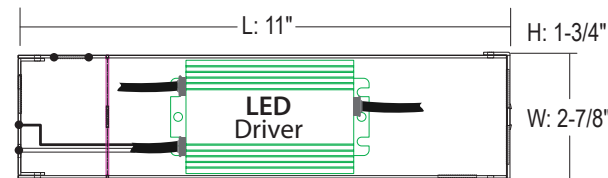
On-site commissioning and programming available.

Consult Factory for Layout Assistance and Lead Times.

COLOR	CCT/WAVELENGTH	POWER
Red	640nm	3.1W
Green	520nm	3.1W
Blue	450nm	3.1W
White	2700K	3.1W

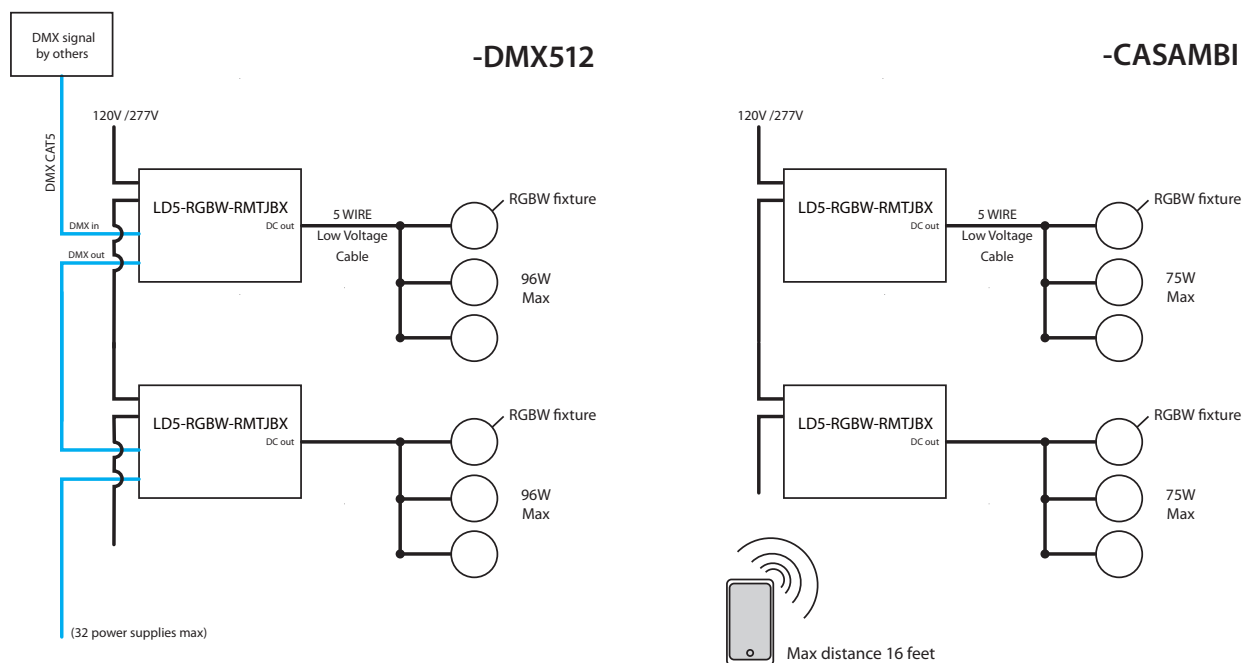


WIRED



Junction Box Dimensions: 11" x 2-7/8" x 1-3/4" (LxWxH)

Remote Power Supply	Controls	Wattage
LD5-RGBW-RMTJBX	Remote Mounted Decoder <b>-DMX512</b>	15W <b>-W15</b>
	Wireless Bluetooth Control <b>-CASAMBI</b>	30W <b>-W30</b>
		60W <b>-W60</b>
		96W <b>-W96</b>



NOTE: Power supply must be placed in dry locations only. 100 feet max for 5 wire low voltage cable 18AWG.

## SPECIFICATION (Continued)

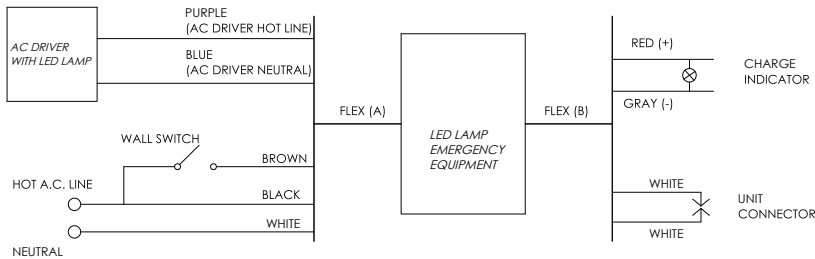
### REMOTE LOCATION EMERGENCY INVERTER (-EMAC): 25W and 40W

For installation away from the surface of the building in remote hidden location.

- Hidden Emergency Equipment
- Must be installed in Dry Locations
- Wattage package will determine if 25W or 40W battery gets sent; corresponding wiring diagrams below
- 170 VDC output to AC DRIVER during EM mode

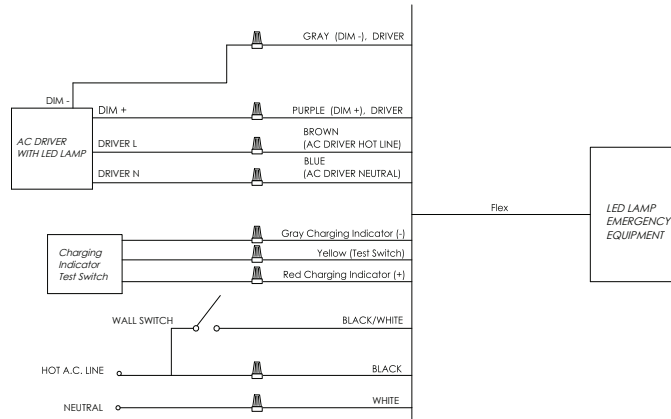
**Not rated for outdoor mounting. Damp location rated.**

#### <25W LOAD



Input Voltage:	120-277VAC/60Hz
Output Voltage:	170VDC (120VAC Equivalent)
Wattage:	25W
Switching Time:	<1s
Charging Time:	24h
Operating Time:	90 minutes
Minimum Temperature:	0°C
Maximum Temperature:	50°C
Maximum Lumens:	2200lm
Self-Diagnostic:	No

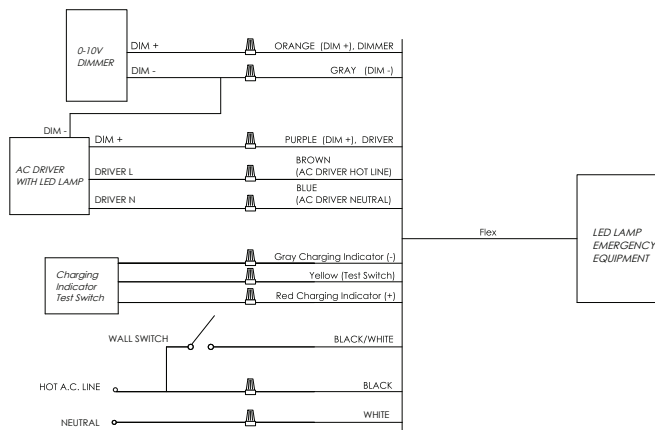
#### <40W LOAD



Input Voltage:	120-277VAC/60Hz
Output Voltage:	170VDC (120VAC Equivalent)
Wattage:	40W
Switching Time:	<1s
Charging Time:	24h
Operating Time:	90 minutes
Minimum Temperature:	0°C
Maximum Temperature:	50°C
Maximum Lumens:	3500lm
Self-Diagnostic:	Yes

#### >40W LOAD

- 0-10V dimmable driver required



## SPECIFICATION (Continued)

### BackPack Side Mount (-EMB-SD/FC)

Eliminates need for long runs back to remote emergency battery location. Installs directly on building surface. Ideal for locations wanting same mounting aesthetics for Emergency and Non-Emergency fixtures without the use of remote Emergency power. Can be fed from recessed wall mounted junction box from the back of fixture.

- Wet location rated.
- 120V-347V operation.
- Self diagnostic.
- Integral surge protector for emergency driver only.
- Includes (2) 1/2" NPT knock-outs.
- Optional -EMB-BLANK can be used to maintain a common aesthetic when -EMB-FC are used.

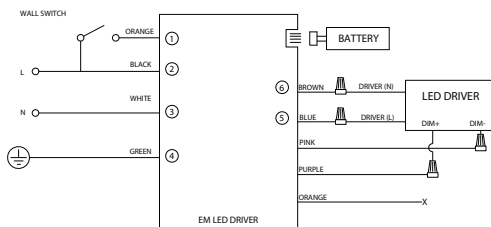


Input Voltage:	120-347 Vac (50/60 Hz)
Input Power:	7 Watts
Output Voltage:	170 V DC
Input Current:	100mA
Output Power:	18W
Surge Protection:	Line-Neutral 3000V
EM Operation:	90 minutes
Charge Time:	24 hour recharge
Ambient Temperature:	0°C to + 50°C (30°F to 122°F)
Weight:	3.7 lb
Rating:	cUL
Self-Diagnostic:	Yes

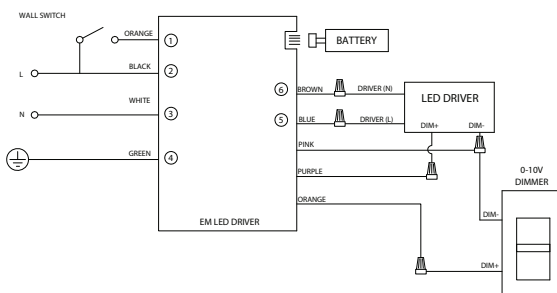
MODE	TEST SWITCH	INDICATOR STATUS	COMMENT
AC MODE 1	NOT PRESSED	ON (no flash)	EM DRIVER is CHARGING
AC MODE 2	PRESSED ONCE	2s ON THEN 2s OFF (slow flashing)	EM DRIVER is running 30s DIAGNOSTICS test
AC MODE 3	PRESSED TWICE [2s] in sequence	2s ON THEN 2s OFF (slow flashing)	EM DRIVER is running 90min DIAGNOSTICS test
EM MODE 1	NOT PRESSED	2s ON THEN 2s OFF (slow flashing)	EM DRIVER IS OUTPUTTING EM CONSTANT POWER LOAD
EM MODE 2	PRESSED ONCE		EM DRIVER IS OFF

When indicator flashes (0.2s) ON and then 0.2s (OFF) quickly or turns off, unit is defective. Contact manufacturer.

### 20W, 30W, 45W, 60W



### 20W, 30W, 45W, 60W (Dimmer)

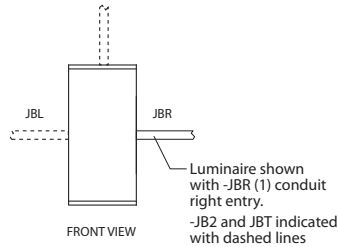


NOTE: WHEN LED FIXTURE POWER IS MORE THAN 18W LED FIXTURE MUST BE EQUIPPED WITH 0-10V DIMMABLE DRIVER

**SPECIFICATION (Continued)**

**Additional Options**

Optional J-Box (Direct Conduit Entry):



For use with mounting locations without a recessed junction box.  
Allows for direct mounting to building surface. Arm may be configured for up to 3 conduit entries (1/2") total; 2 on the sides, 1 on top.

Configure as:

- JBL, JBR: (1) conduit entry from left or right looking at fixture
- JB2 (2) conduit entry on sides
- JBT (1) conduit entry on top

Hexcell Louver (-LVR):



3 mm / .125" (size of the cells) - matte black finish, 45° glare cutoff, unframed.

Photocell (/SDL):



Sensor enables automatic on/off operation based on ambient light levels, providing dusk-to-dawn functionality.

Power Consumption .5W

Voltage: 120V, 277V

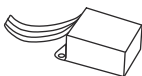
On/Off Levels: On @ 0-2fc / Off @ 2fc or more

Warranty: 2-Year / 5,000 Cycles

Sensor Size: 3/8"

Rating: UL/cUL

Surge Suppressor (/SRG1):



Protects driver against surges in line voltage/current (20KV, 1.2/50µS & 10KA, 8/20µS).

Provides a positive indication of end-of-life by opening voltage to the load.

Surge suppressor is a perishable device requiring periodic replacement.

Not a warranted item.



## SPECIFICATION (Continued)

### Electrical

LED Driver: AC 50/60Hz Electronic Direct Current Class 2 driver integrally mounted.  
 Power Factor > 0.90. See Dimming Section for voltage and wiring.

Minimum Operating Temperature:  
 Standard: -10°C/14°F  
 Cold Weather Option: (-CW) -30°C/-22°F

### Control Options

#### ELV and TRIAC Driver 120V (-DIN):

Compatible with electronic low voltage, and 2-Wire incandescent dimmers. Also known as leading edge, Reverse Phase, Forward Phase dimming. Allows smooth dimming down to 5% depending upon the dimmer's limitations.

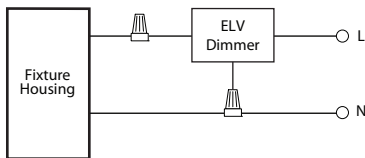
#### 0-10V Driver 120V/277V (UE-D10):

Compatible with most existing 0-10V systems. Also known as fluorescent or 5-Wire dimming. Allows smooth dimming down to 5% depending upon the dimmer's limitations. Compatible with daylight harvesting controls.

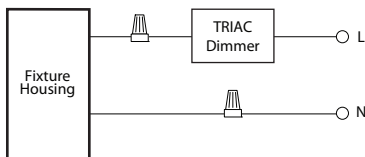
#### UniDim™ Driver 120V/277V (UE-DUN):

All in one ELV and TRIAC phase dimming (120V only), and 0-10V dimming (120V/277V). Works with most 3-Wire ELV, 2-Wire incandescent and 120V/277V 5-Wire 0-10V fluorescent dimmers.

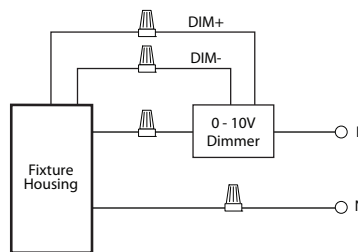
Incandescent/Phase Wiring  
ELV



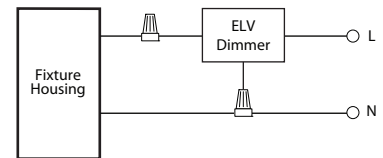
TRIAC



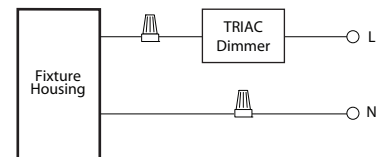
0 - 10V Wiring



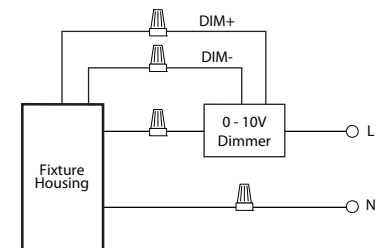
Incandescent/Phase Wiring  
ELV



TRIAC



0 - 10V Wiring



## SPECIFICATION (Continued)

### Marine Grade

---

The fixture features a marine-grade textured powder coat finish engineered to withstand extreme environmental conditions, including prolonged exposure to UV radiation, salt air, and moisture, which are prevalent in coastal and high-humidity environments.

A multi-stage surface preparation, finishing, and curing process ensures maximum adhesion, durability, and corrosion resistance. The coating system undergoes rigorous salt spray (ASTM B117) testing, overbake resistance verification, and pencil hardness testing to validate its robustness against degradation.

The marine-grade powder coat is applied as a 30–50  $\mu\text{m}$  bottom layer, providing a strong anti-corrosion foundation. This is further enhanced by a surface coat using a standard architectural-grade powder application with a total thickness of 80–120  $\mu\text{m}$ , ensuring superior resistance to wear, impact, and environmental stressors.

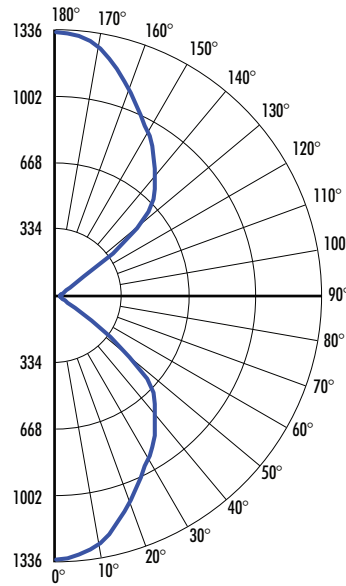
## PHOTOMETRY

### WDJ360S-L26UE-DUN (2x2600lm, 60W, 50°, 4000K)

System Power: 61.6W  
 Test Date: 02/2024  
 Beam Angle 50%: 91.0°  
 Field Angle 10%: 119.0°  
 Color Temperature: 4126K  
 CRI: 92.6  
 Lumens Delivered: 2x3158  
 CBCP: 1780.5  
 Power Factor: 0.96

MULTIPLIERS	
CCT	
2700K:	0.88
3000K:	0.92
<b>3500K:</b>	<b>1.00</b>
<b>4000K:</b>	<b>1.00</b>
Lumens	
Blank	0.39
-L15	0.53
-L20	0.72
<b>-L26</b>	<b>1.00</b>

CANDELA TABULATION



FOOTCANDLE DISTRIBUTION

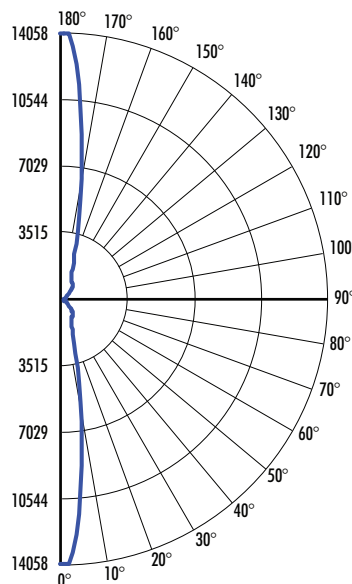
Height	Beam Diameter	FC
16.0'	44.86'	7.25
14.0'	28.49'	9.46
12.0'	24.42'	12.88
10.0'	20.35'	18.55
8.0'	16.28'	28.98
8.0'	16.28'	7.25
10.0'	20.35'	18.55
12.0'	24.42'	12.88
14.0'	28.49'	9.46
16.0'	44.86'	7.25

### WDJ360S-L26-BADJ10-BF10UE-DUN (2x2600lm, 60W, 15°, 4000K)

System Power: 61.6W  
 Test Date: 02/2024  
 Beam Angle 50%: 15.1°  
 Field Angle 10%: 33.4°  
 Color Temperature: 4131K  
 CRI: 92.7  
 Lumens Delivered: 2x3129.2  
 CBCP: 18691.7  
 Power Factor: 0.96

MULTIPLIERS	
CCT	
2700K:	0.88
3000K:	0.92
<b>3500K:</b>	<b>1.00</b>
<b>4000K:</b>	<b>1.00</b>
Lumens	
Blank	0.39
-L15	0.53
-L20	0.72
<b>-L26</b>	<b>1.00</b>

CANDELA TABULATION



FOOTCANDLE DISTRIBUTION

Height	Beam Diameter	FC
16.0'	4.24'	76.06
14.0'	3.71'	99.34
12.0'	3.18'	135.21
10.0'	2.65'	194.70
8.0'	2.12'	304.23
8.0'	2.12'	304.23
10.0'	2.65'	194.70
12.0'	3.18'	135.21
14.0'	3.71'	99.34
16.0'	4.24'	76.06

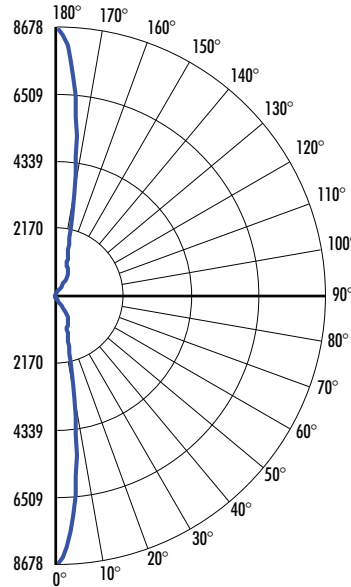
## PHOTOMETRY (Continued)

### WDJ360S-L26-BADJ20-BF20UE-DUN (2x2600lm, 60W, 20°, 4000K)

System Power: 61.6W  
 Test Date: 02/2024  
 Beam Angle 50%: 18.7°  
 Field Angle 10%: 61.6°  
 Color Temperature: 4116K  
 CRI: 92.6  
 Lumens Delivered: 2x2898.6  
 CBCP: 11571.2  
 Power Factor: 0.96

MULTIPLIERS	
CCT	
2700K:	0.88
3000K:	0.92
<b>3500K:</b>	<b>1.00</b>
<b>4000K:</b>	<b>1.00</b>
Lumens	
Blank	0.39
-L15	0.53
-L20	0.72
<b>-L26</b>	<b>1.00</b>

#### CANDELA TABULATION



#### FOOTCANDLE DISTRIBUTION

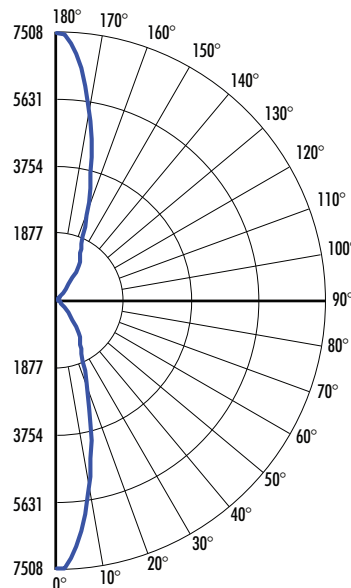
Height	Beam Diameter	FC
16.0'	5.27'	47.08
14.0'	4.61'	61.50
12.0'	3.95'	83.70
10.0'	3.29'	120.53
8.0'	2.63'	188.33
8.0'	2.63'	188.33
10.0'	3.29'	120.53
12.0'	3.95'	83.70
14.0'	4.61'	61.50
16.0'	5.27'	47.08

### WDJ360S-L26-BADJ45-BF45UE-DUN (2x2600lm, 60W, 45°, 4000K)

System Power: 61.6W  
 Test Date: 02/2024  
 Beam Angle 50%: 29.0°  
 Field Angle 10%: 71.2°  
 Color Temperature: 4152K  
 CRI: 92.4  
 Lumens Delivered: 2x3039.5  
 CBCP: 7508.1  
 Power Factor: 0.97

MULTIPLIERS	
CCT	
2700K:	0.88
3000K:	0.92
<b>3500K:</b>	<b>1.00</b>
<b>4000K:</b>	<b>1.00</b>
Lumens	
Blank	0.39
-L15	0.53
-L20	0.72
<b>-L26</b>	<b>1.00</b>

#### CANDELA TABULATION



#### FOOTCANDLE DISTRIBUTION

Height	Beam Diameter	FC
16.0'	8.28'	29.33
14.0'	7.24'	38.31
12.0'	6.21'	52.14
10.0'	5.17'	75.08
8.0'	4.14'	117.31
8.0'	4.14'	117.31
10.0'	5.17'	75.08
12.0'	6.21'	52.14
14.0'	7.24'	38.31
16.0'	8.28'	29.33

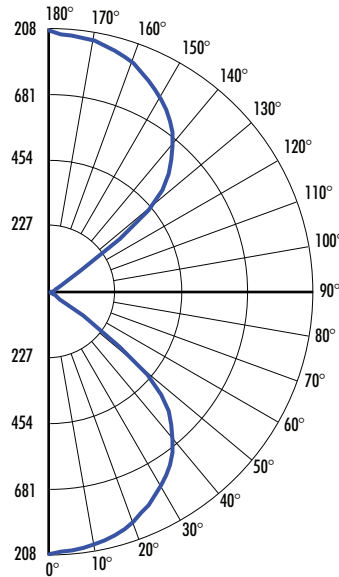
## PHOTOMETRY (Continued)

### WDJ360S-L26-CBADJ10-CBF10UE-DUN (2x2600lm, 60W, 10°, 4000K)

System Power: 61.6W  
 Test Date: 02/2024  
 Beam Angle 50%: 15.1°  
 Field Angle 10%: 26.3°  
 Color Temperature: 4125K  
 CRI: 92.8  
 Lumens Delivered: 2x1295.8  
 CBCP: 1210.2  
 Power Factor: 0.96

MULTIPLIERS	
CCT	
2700K:	0.88
3000K:	0.92
<b>3500K:</b>	<b>1.00</b>
<b>4000K:</b>	<b>1.00</b>
Lumens	
Blank	0.39
-L15	0.53
-L20	0.72
<b>-L26</b>	<b>1.00</b>

#### CANDELA TABULATION



#### FOOTCANDLE DISTRIBUTION

Height	Beam Diameter	FC
16.0'	4.24'	4.92
14.0'	3.71'	6.43
12.0'	3.18'	8.75
10.0'	2.65'	12.61
8.0'	2.12'	19.70
8.0'	2.12'	19.70
10.0'	2.65'	12.61
12.0'	3.18'	8.75
14.0'	3.71'	6.43
16.0'	4.24'	4.92