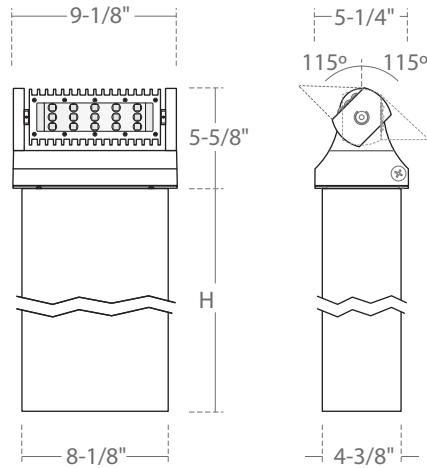


WLP31/WLP-BL, WLP32/WLP-BL 9" DEXTERO DIRECTIONAL PEDESTAL MOUNTED UPLIGHT

3250LM (25W)/5200LM (40W)/7800LM (60W)/10,500LM (80W)/15,600LM (120W)

- Adjustable design
- 20" and 40" post options
- Durable, corrosion resistant finish
- High lumen output up to 15,600lm
- Emergency back up available
- 5 year limited warranty
- 120V/277V
- Dark Sky Compliant Option



H: 20" or 40" (Post Option)



(WLP31/WLP-BL shown)

ORDERING – Example: WLP31W-25WUE-D10-SH/WLP-BL-40W

WLP31

Fixture Finish Lumens Driver Color Temperature Options Shielded / Mounting Style Height Finish

DEXTERO FLOOD

Fixture	Finish	Lumens	Driver	Color Temperature	Options	Shielded
1-Direction	WLP-31		Non-Dimming (120V)	Blank	4000K	Blank
2-Direction	WLP-32		Non-Dimming (120V/277V)	UE	3000K	-T30
Finish			0-10V Dimming (120V/277V)	UE-D10	Integral 10W EM Battery	-EM^{1,3}
Bronze	Blank		2-Wire, ELV, 0-10V Dimming (120V/277V)	UE-DUN	Integral Daylight Sensor	-SDL
Lumens			347V, 0-10V Dimming	-347-D10¹	Dual Switching	-2CCT²
3250lm (25W)	-25W¹				Shielded	
5200lm (40W)	-40W¹				None	Blank
7800lm (60W)	-60W				Shield	-SH
10,500lm (80W)	-80W²					
15,600lm (120W)	-120W²					

MOUNTING ACCESSORIES

Mounting Style	Height	Finish
Directional Pedestal Mount	20" Post	Bronze Blank
	40" Post	White W

¹Available for WLP31 only.
²Available for WLP32 only.
³Remote Emergency Battery (EMAC) available for 25W only
⁴Integral 10W Emergency Battery (EMA) 25W & 40W only.



WLP31/WLP-BL, WLP32/WLP-BL 9" DEXTERO DIRECTIONAL PEDESTAL MOUNTED UPLIGHT

3250LM (25W)/5200LM (40W)/7800LM (60W)/10,500LM (80W)/15,600LM (120W)

SPECIFICATION

Application

Liton's Dextero uplight with Directional Pedestal Mount accessory has a high lumen output and is ideal for lighting garden paths or as a wall wash.

DEXTERO WLP31, WLP32

Construction

Constructed from high grade die cast aluminum with, high grade aluminum arms and heat sinks and a powder coat finish. Includes an adjustable LED array with optics (rotates 90° up and 90° down), LED driver and a mounting bracket. Mounting bracket is secured to housing with two (2) stainless steel set screws.

Lumen Maintenance

Minimum 50,000 hours L70 life based on ANSI TM-21 calculations from LM80 standardized test results. See ordering guide for delivered lumens.

Thermal Management

Heat dissipation facilitated by exposed integral aluminum heat sink to maximize heat rejection in an open air environment. Recommended ambient temperature is below 35°C to achieve minimum L70 life of 50,000 hours according to LM80 standard. contact with loosefill blown and rolled insulation.

Dimming

(UE-DUN) option is a universal dimming system that works with most 3-Wire ELV, 2-Wire Incandescent and 5-Wire 0-10V fluorescent dimmers.

Electrical

AC 50/60Hz Electronic Direct Current Class 2 driver integrally mounted. Power Factor > 0.90. For cold weather applications (-22°C and above) use **(-DUN)** driver option.

Emergency Options

Remote Emergency LED Battery Back-up (-EMAC) available, mounted adjacent to housing by installer. Integral Emergency LED Battery Back-up (-EMA) mounted inside fixture for unobtrusive design illuminates during normal power to blend in with other AC only architectural luminaires. When AC power fails, the device immediately switches to the emergency mode, operating the LEDs for a minimum of 90 minutes. Remote test switch, plate cover and junction box included.

Finish

A 7-stage electrostatic, polymer process provides a finish that delivers outstanding durability, superior anti-aging, resistance to corrosion and UV-degradation. Finish is high-quality Bronze **(Blank)** powder coat.

Listings

UL Listed. Suitable for wet location. Assembled in USA. (IP65). DLC approval.

Dark Sky Compliance

Fixture is Dark Sky compliant with optional 3000K (-T30) and Shield (-SH) when fixture is pointing downward.

Caution

LITON recommends use of surge protectors on the power entering LED housings. Surge damage is not covered by warranty. Fixtures must be grounded in accordance with national, state and/or local electrical codes. Failure to do so may result in serious personal injury.

Warranty

Covered by a 5 Year Warranty to be free of defects in materials and craftsmanship. Fixture should not be installed in applications with ambient temperature above 60°C. Doing so will result in reduced lamp life and voided warranty.

WLP-BL MOUNTING ACCESSORY

Construction

The Directional Pedestal Mount is constructed of high grade rectangular extruded aluminum. Includes liquid tight plug for cord entry and a zinc plated steel base with a high-quality powder coat finish and an anchor bolt kit.

The base is secured to the post by four (4) tamper resistant, stainless steel flat head screws and mounted to the ground by four (4) anchor bolts and eight (8) nuts and washers. Note: A solid foundation for installation is recommended. Post can accommodate daisy chain and through is available in two sizes, 20" and 40" height, and wiring. Finish is high-quality Bronze **(Blank)** powder coat.

