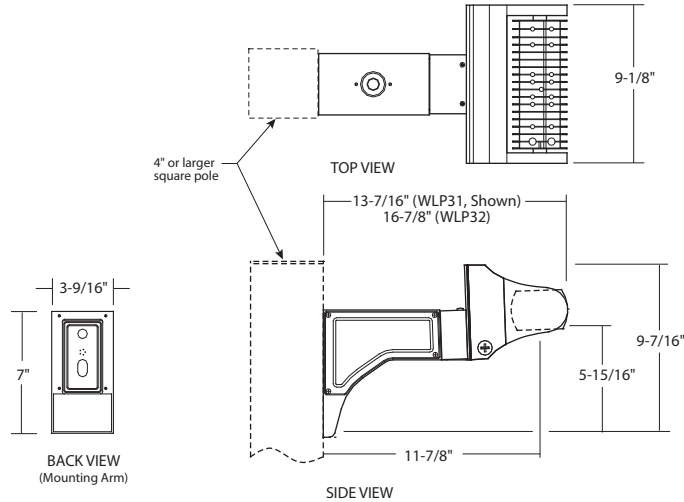


WLP31/WLP-PLE, WLP32/WLP-PLE 9" DEXTERO W/ SQUARE POLE MOUNT

3250LM (25W)/5200LM (40W)/7800LM (60W)/10,500LM (80W)/15,600LM (120W)

- Durable, corrosion resistant finish
- High lumen output up to 15,600lm
- Mounts to 4" or larger square poles
- Emergency back up available
- 5 year limited warranty
- 120V/277V
- Dark Sky Compliant Option



ORDERING – Example: WLP31W-60WUE-D10-SH/WLP-PLEW

WLP31

Fixture Finish Lumens Driver Color Temperature Options Shielded / Mounting Style Finish

DEXTERO FLOOD

Fixture	Driver	Color Temperature	Options
1-Direction WLP-31	Non-Dimming (120V) Blank	4000K Blank	None Blank
2-Direction WLP-32	Non-Dimming (120V/277V)	3000K -T30	Remote Emergency -EMAC^{1,3}
Finish	0-10V Dimming (120V/277V)		Integral 10W EM Battery -EMA^{1,4}
Bronze Blank	2-Wire, ELV, 0-10V Dimming (120V/277V)		Integral Daylight Sensor -SDL
Lumens	347V, 0-10V Dimming -347-D10¹		Dual Switching -2CCT²
3250lm (25W) -25W¹			Shielded
5200lm (40W) -40W¹			None Blank
7800lm (60W) -60W			Shield -SH
10,500lm (80W) -80W²			
15,600lm (120W) -120W²			

MOUNTING ACCESSORY

Mounting Style	Finish
Square Pole Mount /WLP-PLE	Bronze Blank
	White W

¹Available for WLP31 only.
²Available for WLP32 only.
³Remote Emergency Battery (EMAC) available for 25W only
⁴Integral 10W Emergency Battery (EMA) 25W & 40W only.



WLP31/WLP-PLE, WLP32/WLP-PLE

9" DEXTERO W/ SQUARE POLE MOUNT

3250LM (25W)/5200LM (40W)/7800LM (60W)/10,500LM (80W)/15,600LM (120W)

SPECIFICATION

Application

Liton's Dexter square pole mount luminaire mounts to 4" or larger square poles. Its high lumen output makes it an ideal site and path lighting solution.

DEXTERO WLP31, WLP32

Construction

Constructed from high grade die cast aluminum with, high grade aluminum arms and heat sinks and a powder coat finish. Includes an adjustable LED array with optics (rotates 90° up and 90° down), LED driver and a mounting bracket.

Lumen Maintenance

Minimum 50,000 hours L70 life based on ANSI TM-21 calculations from LM80 standardized test results. See ordering guide for delivered lumens.

Thermal Management

Heat dissipation facilitated by exposed integral aluminum heat sink to maximize heat rejection in an open air environment. Recommended ambient temperature is below 35°C to achieve minimum L70 life of 50,000 hours according to LM80 standard. contact with loosefill blown and rolled insulation.

Dimming

(UE-DUN) option is a universal dimming system that works with most 3-Wire ELV, 2-Wire Incandescent and 5-Wire 0-10V fluorescent dimmers.

Electrical

AC 50/60Hz Electronic Direct Current Class 2 driver integrally mounted. Power Factor > 0.90. For cold weather applications (-22°C and above) use -DUN driver option.

Emergency Options

Remote Emergency LED Battery Back-up (-EMAC) available, mounted adjacent to housing by installer. Integral Emergency LED Battery Back-up (-EMA) mounted inside fixture for unabrasive design illuminates during normal power to blend in with other AC only architectural luminaires. When AC power fails, the device immediately switches to the emergency mode, operating the LEDs for a minimum of 90 minutes. Remote test switch, plate cover and junction box included.

Finish

A 7-stage electrostatic, polymer process provides a finish that delivers outstanding durability, superior anti-aging, resistance to corrosion and UV-degradation. Finish is high-quality Bronze (**Blank**) powder coat.

Listings

UL Listed. Suitable for wet location. Assembled in USA. (IP65). DLC approval.

Dark Sky Compliance

Fixture is Dark Sky compliant with optional 3000K (-T30) and Shield (-SH) when fixture is pointing downward.

Caution

LITON recommends use of surge protectors on the power entering LED housings. Surge damage is not covered by warranty. Fixtures must be grounded in accordance with national, state and/or local electrical codes. Failure to do so may result in serious personal injury.

Warranty

Covered by a 5 Year Warranty to be free of defects in materials and craftsmanship. Fixture should not be installed in applications with ambient temperature above 60°C. Doing so will result in reduced lamp life and voided warranty.

WLP-PLE SQUARE POLE MOUNTING ACCESSORY

Construction

Square Pole Mount (**WLP-PLE**) arm is made from a one (1) piece 3/16" thick (min.) die cast aluminum door (attached to arm with a gasket and screws making up an internal wiring compartment), and an 1/8" thick aluminum plate (and gasket). Finish is high-quality Bronze or White powder coat.

Square Pole Mount (WLP-PLE) secures to a WLP31 or WLP32 with the 1/8" plate and hardware and is mounted to a 4" or larger square pole with hardware/bolts (pole and hardware/bolts by others).

Technical

Fixture EPA and Weights

FIXTURE	EPA*	WT.**
WLP31/WLP-PLE	0.55 ft ²	9.1 Lbs
WLP32/WLP-PLE	0.55 ft ²	11.9 Lbs

* EPA (Effective Projected Area) in Sq. Feet (ft²)

**Maximum Fixture Weight (including accessories)

Dimensions

FIXTURE	LENGTH †	WIDTH †	HEIGHT †
WLP31/WLP-PLE	13.44"	9.15"	9.44"
WLP32/WLP-PLE	16.88"	9.15"	9.44"

† Plus / Minus (+/-) 1/16"

*Effective Projected Area

