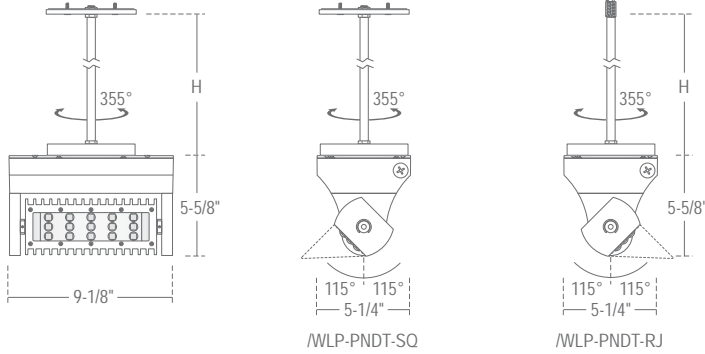


WLP31/WLP-PNDT - 9" DEXTERO ADJUSTABLE PENDANT 3250LM (25W)/5200LM (40W)/7800LM (60W)

- Durable, corrosion resistant finish
- High lumen output up to 7800lm
- Wallwash or downlight
- Emergency back up available
- 5 year limited warranty
- 120V/277V
- Dark Sky Compliant Option



H: 12", 18", 24", 36" or 48" for/WLP-PNDT-SQ or /WLP-PNDT-RJ (Stem Option)



ORDERING – Example: WLP31-60WUE-D10-T30/WLP-PNDT-SQ24B

WLP31

Fixture Finish Lumens Driver Color Temperature Shielded Options / Pendant Style Length Finish

FIXTURE

Finish	Driver	Color Temperature	Options
Bronze Blank	Non-Dimming (120V) Blank	4000K Blank	None Blank
White W	Non-Dimming (120V/277V) UE	3000K -T30	Remote Emergency -EMAC*
Lumens	0-10V Dimming (120V/277V) UE-D10		Integral 10W EM Battery -EMA**
3250lm (25W) -25W	2-Wire, ELV, 0-10V Dimming (120V/277V) UE-DUN		Integral Daylight Sensor -SDL
5200lm (40W)) -40W	347V, 0-10V Dimming -347-D10		Shielded
7800lm (60W)) -60W			None Blank
			Shield -SH

*Remote Emergency Battery (EMAC) available for 25W only.

**Integral 10W Emergency Battery (EMA) 25W & 40W only.

MOUNTING ACCESSORIES

Pendant Style	Length	Finish
Square Ceiling Adapter /WLP-PNDT-SQ	12" Extension 12	Black Blank
Pendant for Sloped Ceilings /WLP-PNDT-RJ	18" Extension 18	
	24" Extension 24	
	36" Extension 36	
	48" Extension 48	



2020.05.19

SPECIFICATION

Application

Liton's Dextero adjustable pendant can be used for direct and indirect illumination and is ideal for downlight and wallwash applications. It can be used in both interior and exterior settings, and with its high lumen output, it is perfect for outdoor canopies.

WLP31 FIXTURE

Construction

Constructed from high grade die cast aluminum with, high grade aluminum arms and heat sinks and a powder coat finish. Includes an adjustable LED arrays with optics (rotates 90° up and 90° down), LED driver and a mounting bracket. Mounting bracket is secured to housing with two (2) stainless steel set screws.

Lumen Maintenance

Minimum 50,000 hours L70 life based on ANSI TM-21 calculations from LM80 standardized test results. See ordering guide for delivered lumens.

Thermal Management

Heat dissipation facilitated by exposed integral aluminum heat sink to maximize heat rejection in an open air environment. Recommended ambient temperature is below 35°C to achieve minimum L70 life of 50,000 hours according to LM80 standard. contact with loosefill blown and rolled insulation.

Dimming

(UE-DUN) option is a universal dimming system that works with most 3-Wire ELV, 2-Wire Incandescent and 5-Wire 0-10V fluorescent dimmers.

Electrical

AC 50/60Hz Electronic Direct Current Class 2 driver integrally mounted. Power Factor > 0.90. For cold weather applications (-22°C and above) use -DUN driver option.

Emergency Options

Remote Emergency LED Battery Back-up (-EMAC) available, mounted adjacent to housing by installer. Integral Emergency LED Battery Back-up (-EMA) mounted inside fixture for unabtrusive design illuminates during normal power to blend in with other AC only architectural luminaires. When AC power fails, the device immediately switches to the emergency mode, operating the LEDs for a minimum of 90 minutes. Remote test switch, plate cover and junction box included.

Finish

A 7-stage electrostatic, polymer process provides a finish that delivers outstanding durability, superior anti-aging, resistance to corrosion and UV-degradation. Finish is high-quality Bronze (**Blank**) powder coat.

Listings

UL Listed. Suitable for wet location. Assembled in USA. (IP65). DLC approval.

Dark Sky Compliance

Fixture is Dark Sky compliant with optional 3000K (-T30) and Shield (-SH) when fixture is pointing downward.

Caution

LITON recommends use of surge protectors on the power entering LED housings. Surge damage is not covered by warranty. Fixtures must be grounded in accordance with national, state and/or local electrical codes. Failure to do so may result in serious personal injury.

Warranty

Covered by a 5-Year Warranty to be free of defects in materials and craftsmanship. Fixture should not be installed in applications with ambient temperature above 60°C. Doing so will result in reduced lamp life and voided warranty.

WLP-PNDT MOUNTING ACCESSORIES

Construction

The Pendant mounting accessory comes with (2) pendant styles – Square Ceiling Adapter (**/WLP-PNDT-LPCMQ**), and Pendant for Sloped Ceilings (**/WLP-PNDT-LPCMJ**). Lengths vary from 12" to 48". Finish is high-quality Black powder coat.