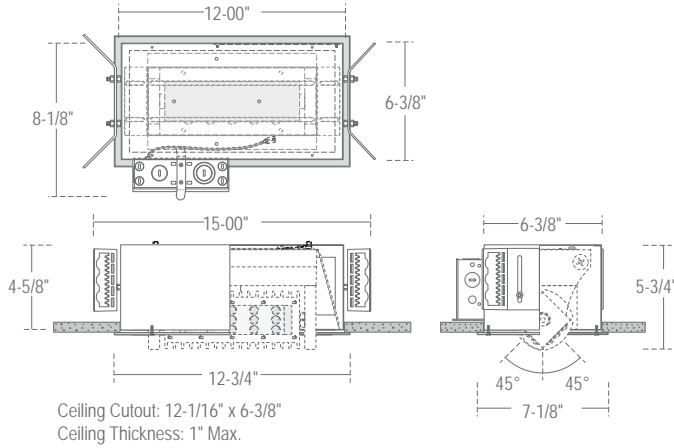


WLP31/WLP-RCS - 9" DEXTERO ADJUSTABLE RECESSED 3250LM (25W)/5200LM (40W)/7800LM (60W)

- Durable, corrosion resistant finish
- High lumen output up to 7800lm
- Wallwash or downlight
- Emergency back up available
- 5 year limited warranty
- 120V/277V
- Dark Sky Compliant Option



WLP31/WLP-RCSBZ shown with optional Shield (-SH).

ORDERING – Example: WLP31-60WUE-D10-SH/WLP-RCSBZ-C260

WLP31

Fixture Finish Lumens Driver Color Temperature Options Shielded / Mounting Style

FIXTURE

Finish	Driver	Color Temperature	Options
Bronze	Non-Dimming (120V)	4000K	None
	Non-Dimming (120V/277V)	3000K	Remote Emergency
Lumens	0-10V Dimming (120V/277V)		Integral 10W EM Battery
3250lm (25W)	2-Wire, ELV, 0-10V Dimming (120V/277V)		Integral Daylight Sensor
5200lm (40W)	347V, 0-10V Dimming		Shielded
7800lm (60W)			None
			Shield

**Remote Emergency Battery (EMAC) available for 25W only.
**Integral 10W Emergency Battery (EMA) 25W & 40W only.

MOUNTING ACCESSORIES

Mounting Style	Mounting Options
Recessed Housing w/ Bronze Flanged Trim	C-Channel Hanger Bar Set
Recessed Housing w/ Black Flanged Trim	Adjustable C-Channel Hanger Bar Set
Recessed Housing w/ White Flanged Trim	

C260
C-Channel Hanger Bar Set



C260-J
Adjustable C-Channel Hanger Bar Set



SPECIFICATION

Application

Liton's Dextero recessed adjustable luminaire can be used for direct and indirect illumination and is ideal for downlight and wallwash applications. It can be used in both interior and exterior settings, and with its high lumen output, it is perfect for outdoor canopies.

WLP31 FIXTURE

Construction

Constructed from high grade die cast aluminum with, high grade aluminum arms and heat sinks and a powder coat finish. Includes an adjustable LED arrays with optics (rotates 90° up and 90° down), LED driver and a mounting bracket. Mounting bracket is secured to housing with two (2) stainless steel set screws.

Lumen Maintenance

Minimum 50,000 hours L70 life based on ANSI TM-21 calculations from LM80 standardized test results. See ordering guide for delivered lumens.

Thermal Management

Heat dissipation facilitated by exposed integral aluminum heat sink to maximize heat rejection in an open air environment. Recommended ambient temperature is below 35°C to achieve minimum L70 life of 50,000 hours according to LM80 standard. contact with loosefill blown and rolled insulation.

Dimming

(UE-DUN) option is a universal dimming system that works with most 3-Wire ELV, 2-Wire Incandescent and 5-Wire 0-10V fluorescent dimmers.

Electrical

AC 50/60Hz Electronic Direct Current Class 2 driver integrally mounted. Power Factor > 0.90. For cold weather applications (-22°C and above) use -DUN driver option.

Emergency Options

Remote Emergency LED Battery Back-up (-EMAC) available, mounted adjacent to housing by installer. Integral Emergency LED Battery Back-up (-EMA) mounted inside fixture for unabtrusive design illuminates during normal power to blend in with other AC only architectural luminaires. When AC power fails, the device immediately switches to the emergency mode, operating the LEDs for a minimum of 90 minutes. Remote test switch, plate cover and junction box included.

Finish

A 7-stage electrostatic, polymer process provides a finish that delivers outstanding durability, superior anti-aging, resistance to corrosion and UV-degradation. Finish is high-quality Bronze **(Blank)** powder coat.

Listings

UL Listed. Suitable for wet location. Assembled in USA. (IP65). DLC approval.

Dark Sky Compliance

Fixture is Dark Sky compliant with optional 3000K (-T30) and Shield (-SH) when fixture is pointing downward.

Caution

LITON recommends use of surge protectors on the power entering LED housings. Surge damage is not covered by warranty. Fixtures must be grounded in accordance with national, state and/or local electrical codes. Failure to do so may result in serious personal injury.

Warranty

Covered by a 5-Year Warranty to be free of defects in materials and craftsmanship. Fixture should not be installed in applications with ambient temperature above 60°C. Doing so will result in reduced lamp life and voided warranty.

WLP-RCS MOUNTING ACCESSORY

Construction

Recessed housing suitable for new construction installations only. Bat-Wing bar hanger brackets adjust vertically 3-1/4" for multiple ceiling types. Housing accepts 1/2" Electric Metallic Tube (EMT) conduit. 26" Heavy duty 16-gauge, die-formed galvanized steel. Housing finish is high-quality black powder coat. Flanged Trim finish options are Bronze (/WLP-RCSBZ), Black (/WLP-RCSB) and White (/WLP-RCSW).

Optional C-Channel Hanger Bar Set for T-bar ceilings, and 27" Adjustable C-Channel Hanger Bar Set for plaster ceilings or wood/metal joists are constructed of heavy duty 16-gauge, die-formed galvanized steel.