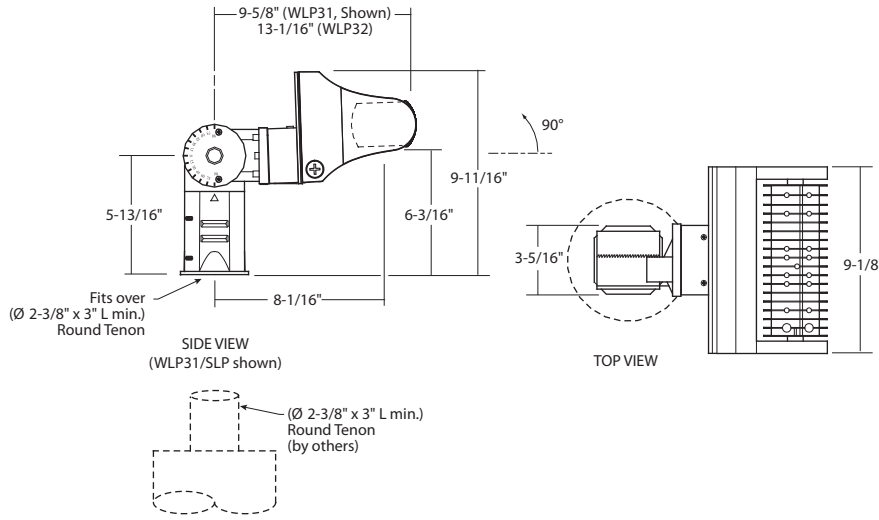


WLP31/WLP-SLP, WLP32/WLP-SLP 9" DEXTERO W/ SLIP FITTER FOR POLE MOUNTING

3250LM (25W)/5200LM (40W)/7800LM (60W)/10,500LM (80W)/15,600LM (120W)

- Durable, corrosion resistant finish
- High lumen output up to 15,600lm
- Mounts to 2-3/8" dia. x 3" min. length tenon mount pole (round or square)
- 5 year limited warranty
- 120V/277V
- Dark Sky Compliant Option



ORDERING – Example: WLP31-60WUE-D10-T30-SH/WLP-SLP

Fixture Finish Lumens Driver Options Color Temperature Shielded / Mounting Style Finish

DEXTERO FLOOD

Fixture	Finish	Lumens	Driver	Options	Color Temperature	Shielded	Mounting Style	Finish
1-Direction	WLP31		Non-Dimming (120V)	Blank	4000K	Blank	None	Blank
2-Direction	WLP32		Non-Dimming (120V/277V)	UE	3000K	-T30	Remote Emergency	-EMAC^{1,3}
Finish			0-10V Dimming (120V/277V)	UE-D10			Integral 10W Emergency Battery	-EMA^{1,4}
Bronze	Blank		2-Wire, ELV, 0-10V Dimming (120V/277V)	UE-DUN			Integral Daylight Sensor	-SDL
Lumens			347V, 0-10V Dimming	-347-D10¹			Dual Switching	-2CCT²
3250lm (25W)	-25W¹						Shielded	
5200lm (40W)	-40W¹						None	Blank
7800lm (60W)	-60W						Shield	-SH
10,500lm (80W)	-80W²							
15,600lm (120W)	-120W²							

MOUNTING ACCESSORY

Mounting Style	Finish
Slip Fitter for Round Tenon Mount Pole	Bronze Blank White W

¹Available for WLP31 only.
²Available for WLP32 only.
³Remote Emergency Battery (EMAC) available for 25W only
⁴Integral 10W Emergency Battery (EMA) 25W & 40W only.



WLP31/WLP-SLP, WLP32/WLP-SLP
9" DEXTERO W/ SLIP FITTER MOUNT FOR POLE MOUNTING
 3250LM (25W)/5200LM (40W)/7800LM (60W)/10,500LM (80W)/15,600LM (120W)

SPECIFICATION

Application

Liton's Dextero luminaire with Slip Fitter mount for pole tenon mount poles fits over a 2-3/8" diameter x 3" minimum length pole tenon. Its high lumen output makes it an ideal site and path lighting solution.

DEXTERO WLP31, WLP32

Construction

Constructed from high grade die cast aluminum with, high grade aluminum arms and heat sinks and a powder coat finish. Includes a 1 or 2-direction adjustable LED array with optics (rotates 90° up and 90° down), LED driver and a mounting bracket. Mounting bracket is secured to housing with two (2) stainless steel set screws.

Lumen Maintenance

Minimum 50,000 hours L70 life based on ANSI TM-21 calculations from LM80 standardized test results. See ordering guide for delivered lumens.

Thermal Management

Heat dissipation facilitated by exposed integral aluminum heat sink to maximize heat rejection in an open air environment. Recommended ambient temperature is below 35°C to achieve minimum L70 life of 50,000 hours according to LM80 standard. contact with loose fill blown and rolled insulation.

Dimming

(**UE-DUN**) option is a universal dimming system that works with most 3-Wire ELV, 2-Wire Incandescent and 5-Wire 0-10V fluorescent dimmers.

Electrical

AC 50/60Hz Electronic Direct Current Class 2 driver integrally mounted. Power Factor > 0.90. For cold weather applications (-22°C and above) use -DUN driver option.

Emergency Options

Remote Emergency LED Battery Back-up (-EMAC) available, mounted adjacent to housing by installer. Integral Emergency LED Battery Back-up (-EMA) mounted inside fixture for unabtrusive design illuminates during normal power to blend in with other AC only architectural luminaires. When AC power fails, the device immediately switches to the emergency mode, operating the LEDs for a minimum of 90 minutes. Remote test switch, plate cover and junction box included.

Finish

A 7-stage electrostatic, polymer process provides a finish that delivers outstanding durability, superior anti-aging, resistance to corrosion and UV degradation. Finish is high-quality Bronze (**Blank**) powder coat.

Listings

UL Listed. Suitable for wet location. Assembled in USA. (IP65). DLC approval.

Dark Sky Compliance

Fixture is Dark Sky compliant with optional 3000K (-T30) and Shield (-SH) when fixture is pointing downward.

Caution

LITON recommends use of surge protectors on the power entering LED housings. Surge damage is not covered by warranty. Fixtures must be grounded in accordance with national, state and/or local electrical codes. Failure to do so may result in serious personal injury.

Warranty

Covered by a 5 Year Warranty to be free of defects in materials and craftsmanship. Fixture should not be installed in applications with ambient temperature above 60°C. Doing so will result in reduced lamp life and voided warranty.

WLP-SLP SLIP FITTER MOUNTING ACCESSORY

Construction

Slip fitter (**WLP-SLP**) is a field adjustable swivel with locking teeth and is made from two (2) part die cast aluminum, gaskets with an internal wiring compartment. Includes 1/8" thick aluminum mounting plate with gaskets and a powder coat finish. Finish is high-quality Bronze (**Blank**) powder coat.

Slip fitter accessory (**WLP-SLP**) secures to WLP31 or WLP32 with hardware and fits over a Ø2-3/8" x 3" long round tenon/pole (by others).

Technical

Fixture EPA and Weights

FIXTURE	EPA*	WT.**
WLP31/WLP-SLP	0.64 ft ²	9.7 Lbs
WLP32/WLP-SLP	0.85 ft ²	12.5 Lbs

* EPA (Effective Projected Area) in Sq. Feet (ft²)
 **Maximum Fixture Weight (including accessories)

Dimensions

FIXTURE	LENGTH †	WIDTH †	HEIGHT †	
			(HORIZ, 0°)	(VERT, 90°)
WLP31/WLP-SLP	11.16"	9.15"	9.66"	15.44"
WLP32/WLP-SLP	14.60"	9.15"	9.66"	18.88"

† Plus / Minus (+/-) 1/16"