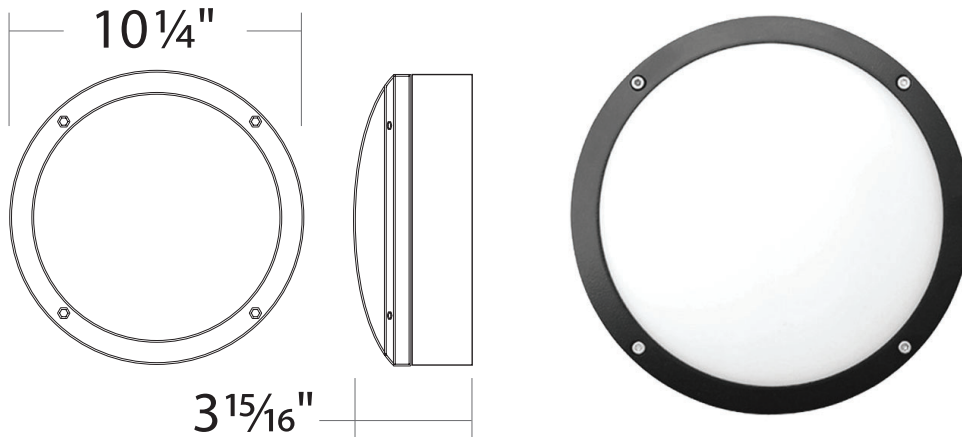


WS700S-USA : 10" ROUND OPEN FACE

WALL LUMINAIRE - OUTDOOR SURFACE MOUNT
700LM (20W)



• **Produced in USA**

- 10W Emergency Battery Option
- Glare-Free Soft Diffused Illumination
- Impact Resistant Diffusing Lens
- Tamper Proof Hardware
- 80+CRI Light Quality
- ADA Compliant
- IP65 Rated

ORDERING : WS700S-USAB-L15-DIN-T30-EM

WS700S-USA

Fixture	Finish	Lumens	Control	Color Temperature	Emergency Options
Finish	Lumens	Control	Color Temperature	Emergency Options	
Black B	20W/700lm	-L15	Non-Dimming (120V) Blank	3000K -T30	None Blank
White W²			ELV and Triac Dimming -DIN	4000K -T40	10W Emergency -EM
Silver S²			(120V)	5000K -T50¹	Battery
Bronze BZ²					

¹ Extended Lead Time.

² Special Order Finish. Minimum order quantity (MOQ) applies. Orders less than MOQ are subject to a special paint set-up fee for the quantity ordered. Extended lead times may apply. Consult Factory.

Custom RAL Color: Please note that we appreciate custom finishes. Custom finishes are subject to a special paint setup fee for the quantity ordered. Extended lead times may apply. Consult Factory.

WS700S-USA : 10" ROUND OPEN FACE

WALL LUMINAIRE - OUTDOOR SURFACE MOUNT

700LM (20W)

SPECIFICATION

Application

Surface Wall Sconce Luminaires are ideal for indoor or outdoor applications in residential, commercial, or architectural installations that require the fixture to integrate into the design of the structure. The Wall Sconce can be used to direct and guide as well as supply lighting for security.

Housing

Constructed from one piece of high grade die cast aluminum with a powder coat finish. Includes an integral wiring compartment and silicone gasket. One (1) power entry hole (1/2-14 NPSM) provided. Free of burrs and sharp corners and edges.

Faceplate

Round cross bar one-piece high grade die cast aluminum with a high corrosion resistant powder coat finish and semi-translucent UV stabilized polycarbonate opal lens for soft diffused glare-free illumination. Faceplate is secured to housing by four (4) captive, tamper resistant, stainless steel screws.

Through Wiring

A maximum of four (4) No. 12 AWG conductors (plus ground wire).

Listing



ETL / cETL Listed, suitable for wet locations and for all types of construction, covered ceiling mount. ADA compliant and suitable for installation within 4ft of the ground. Meets NFPA 70/NEC Code on Listings.

Electrical

AC 50/60Hz Electronic Direct Current Class 2 driver integrally mounted. Power Factor shall be >90% at full load with THD <20% at full load. Electrical Output shall be isolated. Accessible from above or below ceiling.

Minimum Operating Temperature: -20°C/-4°F

Emergency Options

Emergency LED Battery Back-Up available, remotely mounted adjacent to housing by installer. When AC power fails, the device immediately switches to the emergency mode, operating the LEDs for a minimum of 90 minutes. Remote test switch, plate cover and junction box included.

Lumen Maintenance

Minimum 50,000 hours L70 life based on ANSI TM-21 calculations from LM80 standardized test results. See ordering guide for delivered lumens.

Control

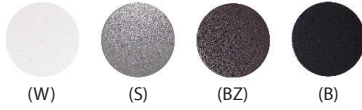
(-DIN) dimming option smoothly dims down to 5% of initial light output with flicker-free performance. Works with standard 120V incandescent dimmers.

Warranty

Covered by a 5-Year Warranty to be free of defects in materials and craftsmanship.

SPECIFICATION (Continued)

Finish



Available in Black, White, Silver and Bronze.

Color Temperature



Available in 3000K, 4000K and 5000K.

LED Details

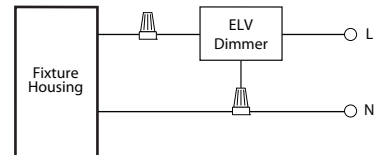
20W 700 Lumen Package
Color Rendering Index (CRI): 80
Color Temperature: 3,000K
Lamp Equivalent: (1) 42W CFL, 150W A-Lamp.

Dimming Options

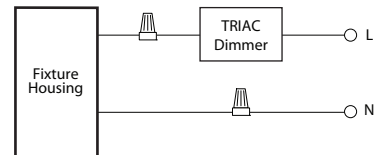
ELV and TRIAC Driver 120V (-DIN):

Compatible with electronic low voltage, and 2-Wire incandescent dimmers. Also known as leading edge, Reverse Phase, Forward Phase dimming. Allows smooth dimming down to 5% depending upon the dimmer's limitations.

Incandescent/Phase Wiring
ELV



TRIAC



SPECIFICATION (Continued)

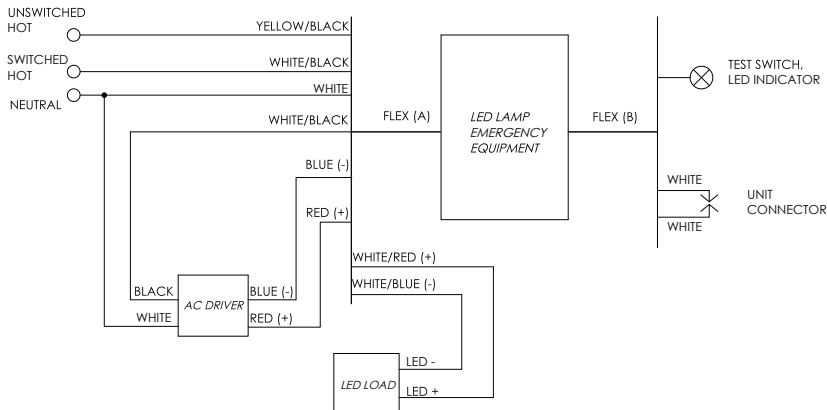
EMERGENCY BATTERY (-EM): 10W

- Must be installed in Dry Locations
- 10W constant output to LED lamp

Not rated for outdoor mounting. Damp location rated.

-EM Lumen Data (Battery)

Fixture/Trim	WS700S-USA
Fixture Wattage:	20W
Fixture Lumens:	700
Multiplier:	0.50
EM Lumens:	350



Input Voltage:	120-277VAC/60Hz
Output Voltage:	10W
Wattage:	10W
Switching Time:	<1s
Charging Time:	24h
Operating Time:	90 minutes
Minimum Temperature:	0°C
Maximum Temperature:	50°C
Self-Diagnostic:	No