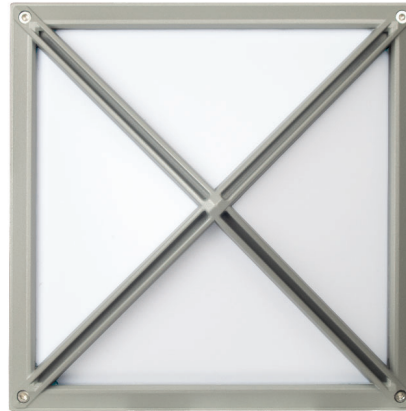
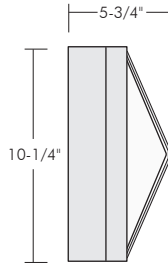
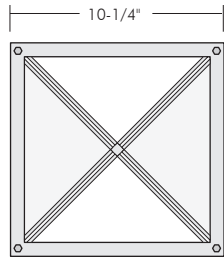


# WSQ234S : 10" PYRAMID SCONCE

WALL LUMINAIRE - OUTDOOR SURFACE MOUNT  
600LM-1500LM (10W/20W)



- Glare-Free Soft Diffused Illumination
- Impact Resistant Diffusing Lens
- Tamper Proof Hardware
- 80+CRI Light Quality
- ADA Compliant
- IP65 Rated

## ORDERING : WSQ234SW-L06-T30

### WSQ234S

Fixture      Finish      Lumens      Control      Color Temperature

Finish	Lumens	Control	Color Temperature
White <b>W</b> <sup>3</sup>	10W/600lm	Non-Dimming (120V)	3000K
Silver <b>S</b> <sup>3</sup>	20W/1500lm	Non-Dimming (120V/277V)	3500K
		0-10 Dimming (120V/277V)	4000K
		Remote Emergency Backup (120V/277V)	5000K
		Casambi Wireless Dimming (120V/277V)	Color Changing
		BubblyNet Wireless System (120V/277V)	
		SimplySnap Wireless System (120V/277V)	
		<b>Blank</b>	<b>-T30</b>
		<b>UE</b>	<b>-T35</b>
		<b>UE-D10</b>	<b>-T40</b>
		<b>UE-EM</b>	<b>-T50</b>
		<b>-DCSM</b> <sup>1</sup>	<b>-RGB+W</b> <sup>1,4</sup>
		<b>-DBNT</b> <sup>1</sup>	
		<b>-DSYN</b> <sup>2</sup>	

<sup>1</sup> Special Order. Consult Factory.

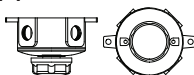
<sup>2</sup> Special Order. Sent with surface mount JBOX to allow for direct-conduit entry.

<sup>3</sup> Extended lead times may apply. Consult Factory.

<sup>4</sup> Remote Power Supplies and Control Gear required. Available with Wireless Bluetooth Casambi or DMX 512 control. Consult Factory for Details.

## COMPATABILITY

**SUN-RMT**  
Remote Unisense™





# WSQ234S : 10" PYRAMID SCONCE

## WALL LUMINAIRE - OUTDOOR SURFACE MOUNT

### 600LM-1500LM (10W/20W)

#### SPECIFICATION

##### Application

---

Ceiling Mount Surface Luminaire are ideal for indoor or outdoor applications in residential, commercial, or architectural installations that require the fixture to integrate into the design of the structure. The ceiling mount surface can be used to direct and guide as well as supply lighting for security.

##### Housing

---

Constructed from one piece of high grade die cast aluminum with a powder coat finish. Includes an integral wiring compartment and silicone gasket. One (1) power entry hole (1/2-14 NPSM) provided.

##### Faceplate

---

A round, open, one-piece, high grade die cast aluminum with a high corrosionresistant powder coat finish and semi-translucent UV stabilized polycarbonate opal lens. Faceplate is secured to housing by four (4) captive, tamper resistant, stainless steel screws.

##### Through Wiring

---

A maximum of four (4) No. 12 AWG conductors (plus ground wire).

##### Listing

---

ETL / cETL Listed, suitable for wet locations and for all types of construction, covered ceiling mount. ADA compliant when installed per ADA Requirements. Assembled in USA.

##### Electrical

---

AC 50/60Hz Electronic Direct Current Class 2 driver integrally mounted. Power Factor > 0.90. Accessible from above or below ceiling.  
Minimum Operating Temperature: -20°C/-4°F

##### Emergency Options

---

Emergency LED Battery Back-Up available, remotely mounted adjacent to housing by installer. When AC power fails, the device immediately switches to the emergency mode, operating the LEDs for a minimum of 90 minutes. Remote test switch, plate cover and junction box included.

##### Lumen Maintenance

---

Minimum 50,000 hours L70 life based on ANSI TM-21 calculations from LM80 standardized test results. See ordering guide for delivered lumens.

##### Control

---

0-10V dimming option (-D10) works with most 5-Wire 0-10V dimmers. Factory qualified for use with Leviton IP710-DLX and Lutron NTFTV-WH.

##### Warranty

---

Covered by a 5-Year Warranty to be free of defects in materials and craftsmanship.

# WSQ234S : 10" PYRAMID SCONCE

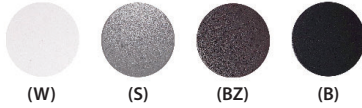
WALL LUMINAIRE - OUTDOOR SURFACE MOUNT

600LM-1500LM (10W/20W)

## SPECIFICATION (Continued)

### Finish

---



Available in Black, White, Silver and Bronze.

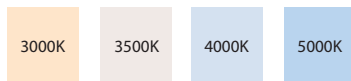
### Lumens

---

Available in 10W/ 600lm and 20W/ 1500lm.

### Color Temperature

---



Available in 3000K, 3500K, 4000K, 5000K and Color Changing (Consult Factory).



### LED Details

---

#### 10W 600 Lumen Package

Color Rendering Index (CRI): 80

Color Temperature: 3,000K

Lamp Equivalent: (1) 26W CFL, 150W A-Lamp

#### 20W 1500 Lumen Package

Color Rendering Index (CRI): 80

Color Temperature: 3,000K

Lamp Equivalent: (1) 42W CFL, 150W A-Lamp.

# WSQ234S : 10" PYRAMID SCONCE

## WALL LUMINAIRE - OUTDOOR SURFACE MOUNT

600LM-1500LM (10W/20W)

### SPECIFICATION (Continued)

RGB+W:



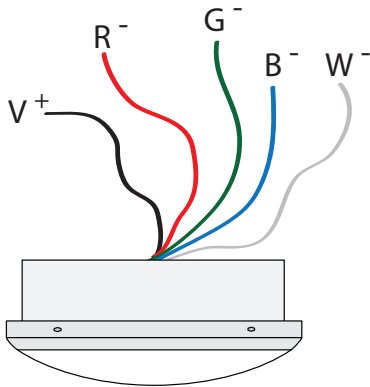
**CASAMBI**

15W RGB+W LED Module Illuminates surfaces up to 10 feet away. Used for applications desiring a dynamic color changing effect. RGB+W design allows fine-tuned pastel colors and saturated hues without sacrificing illumination brightness. Can be set for static colors or dynamic shows. Multiple control options available with either CASAMBI Wireless Bluetooth control or DMX 512 remote mounted decoders.

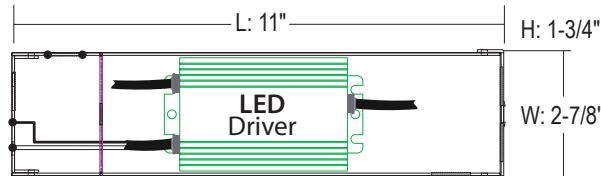
On-site commissioning and programming available.

Consult Factory for Layout Assistance and Lead Times.

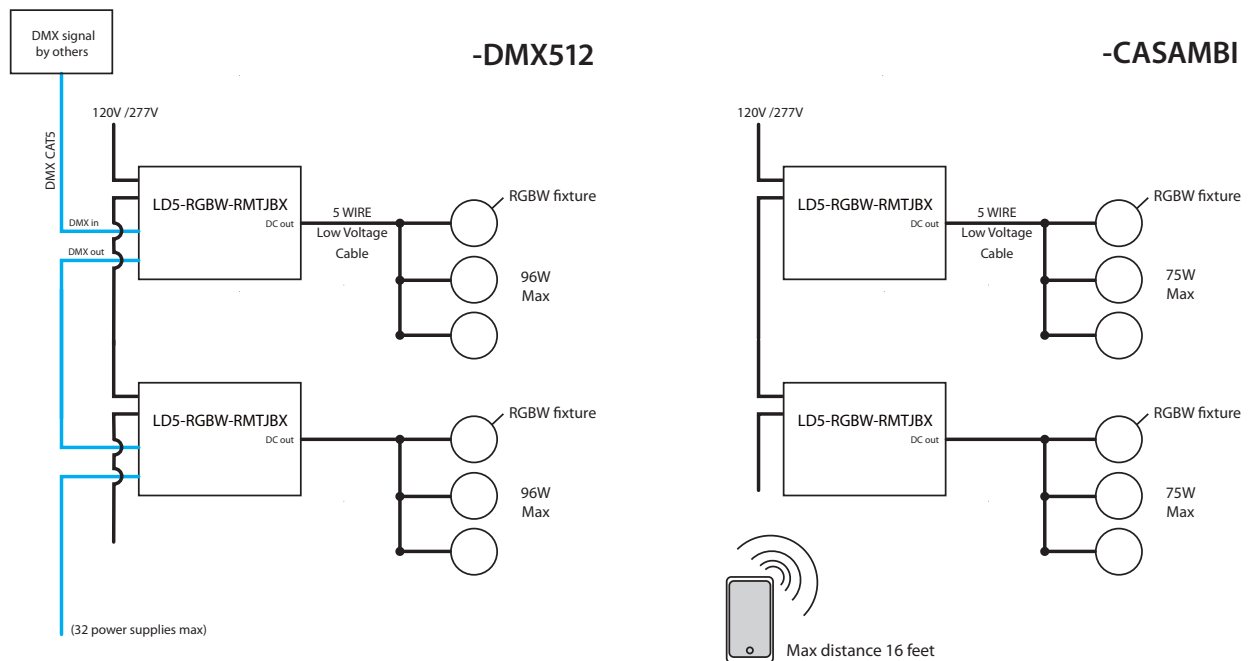
COLOR	CCT/WAVELENGTH	POWER
Red	640nm	3.1W
Green	520nm	3.1W
Blue	450nm	3.1W
White	2700K	3.1W



Remote Power Supply	Controls	Wattage
LD5-RGBW-RMTJBX	Remote Mounted Decoder <b>-DMX512</b>	15W <b>-W15</b>
	Wireless Bluetooth Control <b>-CASAMBI</b>	30W <b>-W30</b>
		60W <b>-W60</b>
		96W <b>-W96</b>



Junction Box Dimensions: 11" x 2-7/8" x 1-3/4" (LxWxH)



NOTE: Power supply must be placed in dry locations only. 100 feet max for 5 wire low voltage cable 18AWG.