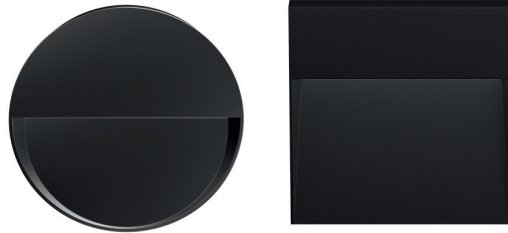
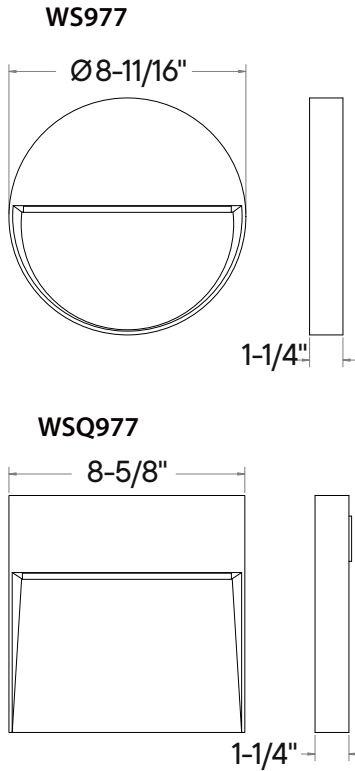


## WS977-WSQ977 : 9" ROUND/SQUARE DARKLIGHT SURFACE WALL LIGHT 400LM (6W)



- Low Glare
- Fully Die-Cast Aluminum
- Marine Grade Finishes
- Amber LED Option (590nm, NOT PC amber)
- ADA Compliant
- Dark Sky Compliant
- IP65 Rated
- IK08 Rated
- Integral Daylight + Motion Sensor (UNISENSE)
- Inconspicuous LED Layout
- Achieve up to 10' Fixture Spacing at 3' Mounting Height while maintaining a min. of 2 fc at egress

### ORDERING : WSQ977BBIVUE-D10-T27-JB

Fixture	Finish	Optics	Control	Color Temperature	Emergency Options	Options
<b>Fixture</b>						
9" Square Darklight Surface Wall Light 400lm (6W)	<b>WSQ977</b>					
9" Round Darklight Surface Wall Light 400lm (6W)	<b>WS977</b>					
		<b>Optics</b>				
		Standard	<b>Blank</b>			
		Forward Throw (Type-IV)	<b>BIV<sup>1</sup></b>			
			<b>Control</b>			
			Triac/ELV Dimming (120V)	<b>Blank</b>		
			0-10V Dimming (120V/277V)	<b>UE-D10</b>		
			UniSense - Integral Motion/ Photosensor (120V/277V)	<b>-SUN-INT-1227</b>		
				<b>Color Temperature</b>		
				2700K (80CRI)	<b>-T27</b>	
				3000K (80CRI)	<b>-T30</b>	
				3500K (80CRI)	<b>-T35</b>	
				4000K (80CRI)	<b>-T40</b>	
				Limited Wavelength (590nm)	<b>-TAM<sup>1</sup></b>	
					<b>Emergency Options</b>	
					None	<b>Blank</b>
					Integral Emergency (14W)	<b>-EMA</b>
					Remote Emergency Inverter (25W)	<b>-EMAC<sup>3</sup></b>
						<b>Options</b>
					None	<b>Blank</b>
					Marine Grade Finish	<b>-MGD<sup>2</sup></b>

<sup>1</sup>Special Order. Minimum order, extended lead time may apply. Consult factory.

<sup>2</sup>Special Order Finish. Minimum order quantity (MOQ) applies. Orders less than MOQ are subject to a special paint set-up fee for the quantity ordered. Extended lead times may apply. Consult Factory.

<sup>3</sup>Check Wiring Diagram for Remote Emergency Backup.

### SPECIFICATION

#### Application

---

Surface mount Luminaire ideal for indoor or outdoor applications in residential, commercial, or architectural installations. Can be used to direct and guide as well as supply lighting for security.

#### Housing

---

Constructed from 2-piece high grade die cast aluminum with a powder coat finish. Removable backplate with wire and IP65 cable glands.

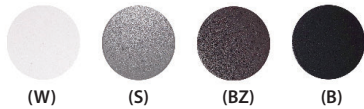
#### Mounting

---

Aluminum Backplate can be removed and mounted with the appropriate mounting screws for the surface material. Once the backplate is mounted, the faceplate can be installed and fastened via set screw.

#### Finish

---



A 7-stage electrostatic, polymer process provides an outdoor textured powder coat finish that delivers outstanding durability, superior anti-aging, resistance to corrosion and UV-degradation. Consult factory for Custom Color. (More Information).

#### Standard Finishes:

White: RAL 9003 (W)  
Silver: RAL 7037 (S)  
Bronze: RAL 8019 (BZ)  
Black: RAL 9005 (B)

#### Certifications and Listings

---



ETL / cETL Listed to UL1598 and UL8750 standards.

Suitable wet locations. (IP65)

ADA compliant and suitable for installation within 4ft of the ground.

#### Warranty

---

Covered by a 5-Year Warranty to be free of defects in materials and craftsmanship. Fixture should not be installed in applications with ambient temperature above 50°C/122°F. Doing so will result in reduced lamp life and voided warranty.

### SPECIFICATION (Continued)

#### LED



Color Temperature: Available in 2700K, 3000K, 3500K, 4000K, 5000K, 80 CRI standard.

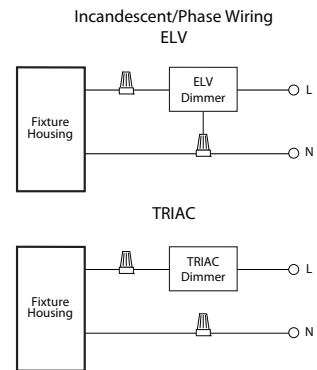
#### Lumen Maintenance

Lumen Maintenance: Lumen Maintenance is a minimum 50,000 hours L70 life based on ANSI TM-21 calculations from LM80 standardized test results.

#### Controls

##### ELV and TRIAC Driver 120V (-DIN):

Compatible with electronic low voltage, and 2-Wire incandescent dimmers. Also known as leading edge, Reverse Phase, Forward Phase dimming. Allows smooth dimming down to 5% depending upon the dimmer's limitations.



# WS977-WSQ977 :

## 9" ROUND/SQUARE DARKLIGHT SURFACE WALL LIGHT

### 400LM (6W)

### SPECIFICATION (Continued)

#### FULL POWER EMERGENCY INVERTER (-EMAC or -EMAC347): 5W

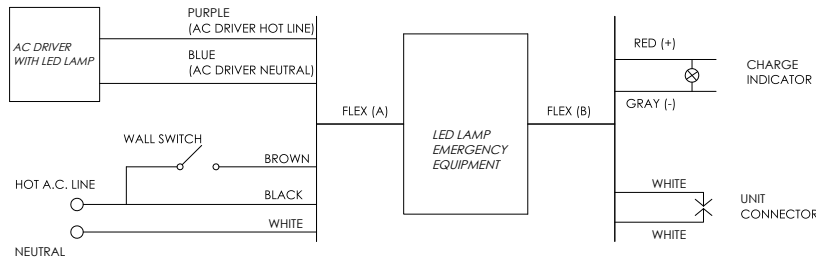
- Must be installed in Dry Locations
- Wattage package will determine battery sent; corresponding wiring diagrams below
- 170 VDC output to AC DRIVER during EM mode

**Not rated for outdoor mounting. Damp location rated.**

#### -EMAC Lumen Data (Battery)

Fixture/Trim	WS977 / WSQ977
Fixture Wattage:	10W
Fixture Lumens:	800
EM Lumens:	800

#### <25W LOAD

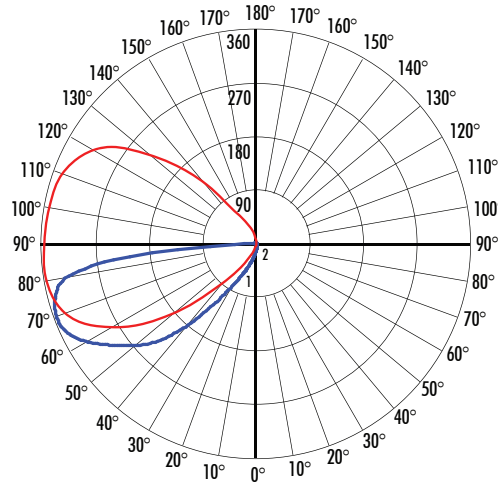


Input Voltage:	120-277VAC/60Hz
Output Voltage:	170VDC (120VAC Equivalent)
Wattage:	25W
Switching Time:	<1s
Charging Time:	24h
Operating Time:	90 minutes
Minimum Temperature:	0°C
Maximum Temperature:	50°C
Self-Diagnostic:	No

## PHOTOMETRY

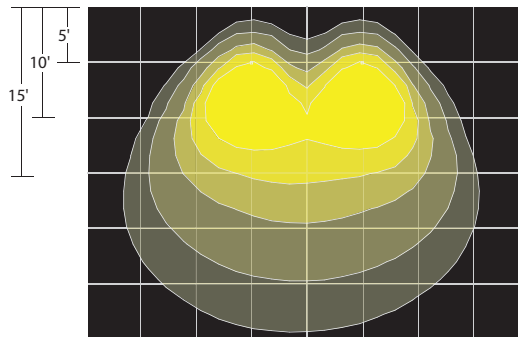
### WS977B-T40 (400lm, 6W, 4000K, CRI 80)

System Power:	5.61W	MULTIPLIERS	
Test Date:	04/2025	2700K	0.88
Beam Angle 50%:	80.2°	3000K	0.93
Field Angle 10%:	119.5°	3500K	0.96
Color Temperature:	4137K	<b>4000K</b>	<b>1.00</b>
CRI:	83.4		
Lumens Delivered:	384.1		
CBCP:	355.495		
Power Factor:	0.99		



Maximum Candela = 360.29 Located At Horizontal Angle = 190, Vertical Angle = 69  
 # 1 - Vertical Plane Through Horizontal Angles (190 - 10) (Through Max. Cd.)  
 # 2 - Horizontal Cone Through Vertical Angle (69) (Through Max. Cd.)

2 fc   1 fc   .5 fc   .2 fc   .1 fc



**FOOTCANDLES ON GROUND**  
 2 Fixture Overlap, 10 Ft. Spacing  
 3 Ft. Light Source Mtg. Ht., 193.4 lm

2025.04.11

BUG RATING	B1-U1-G1	
FRONT	Lumens	Lumens %
Low (0-30°)	4.3	1.1%
Medium (30°-60°)	6.8	1.8%
High (60°-80°)	2.3	0.6%
Very High (80°-90°)	0.4	0.1%
BACK		
Low (0-30°)	15.4	4.0%
Medium (30°-60°)	141.7	36.9%
High (60°-80°)	174.7	45.5%
Very High (80°-90°)	38.2	10.0%
UPLIGHT		
Low (90°-100°)	0.0	0.0%
High (100°-180°)	0.0	0.0%

