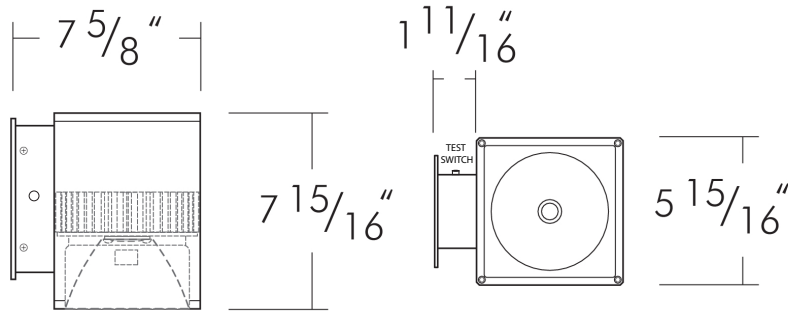


WD1Q362EM - 6" 1-DIRECTION WALL EMERGENCY (IP65) - 2200LM ARCHITECTURAL EMERGENCY FIXTURE



SPECIFICATION

30W

Application: This WD1 Series directional Wall luminaire can be used in both interior and outdoor settings and can be pointed up or down. Typical locations are in commercial and retail spaces that contain walls and/or columns that require directional lighting. Can be used as downlight for direct illumination or an uplights for indirect illumination of architecture facades.

Housing: Constructed from a square two piece high grade aluminum extrusion with a rectangular extrusion arm, end cap, faceplate and a mounting plate with a powder coat finish. Includes LED, optics and LED driver. Mounting plate is secured to arm with four (4) flat head phillips stainless steel screws. Mounting plate installs onto an electrical junction box.

Mounting: Fixture includes a mounting bracket for installation directly to a 4" octagonal electrical junction-box.

Faceplate: Square one piece die cast aluminum with powder coat finish, clear tempered glass lens, and silicone o-ring. Faceplate is secured to the housing by four (4) tamper resistant, stainless steel screws.

Reflector Construction: One piece, heavy-gauge aluminum reflector prevents ugly dents during shipping and installation. Deeply mounted singular LED provides 50 degree visual cutoff for a glare-free appearance.

Lumen Maintenance: Minimum 50,000 hours L70 life based on ANSI TM-21 calculations from LM80 standardized test results. See ordering guide for delivered lumens.

Electrical: AC 50/60Hz Electronic Direct Current Class 2 driver integrally mounted. Power Factor > 0.90.

Emergency: Emergency LED Battery Back-up integrally mounted inside fixture for unobtrusive design illuminates during normal power to blend in with other AC Only Architectural Luminaires. Upon failure of normal utility power, the device immediately switches to the emergency mode, operating the LEDs for a minimum of 90 minutes. Level A Sound Rating. Battery Operates @ 0°C to 40°C Ambient (32°F to 104°F). Battery re-charge within 24 hours. The battery is a maintenance-free, environmentally friendly Lithium Iron Phosphate with 50,000 hour life.. A low voltage battery disconnect feature protects the battery from severe damage during prolonged power failures. Self-diagnostic feature monitors LED status, emergency LED driver circuit, battery capacity and charger function and displays any fault detection via test switch.

Transient surge protection device on AC input. (Line-Neutral 1kV, Line & Neutral-Ground 3kV.) Short Circuit/Overload and Over Temperature Protection.

Test Switch: Exposed Illuminated push test switch easily accessible from front of fixture. Blinking LED indicates fixture fault to alert maintenance. Manual testing is available at any time using the push-to-test button.

Caution: LITON recommends use of surge protectors on the power entering LED Housings. Surge damage is not covered by warranty.

Warranty: Covered by a 5 Year Warranty to be free of defects in materials and craftsmanship. Fixture should not be installed in applications with ambient temperature above 60 degrees C. Doing so will result in reduced lamp life and voided warranty.

Note: Dark Sky compliant when fixture is pointing downward.

FEATURE:



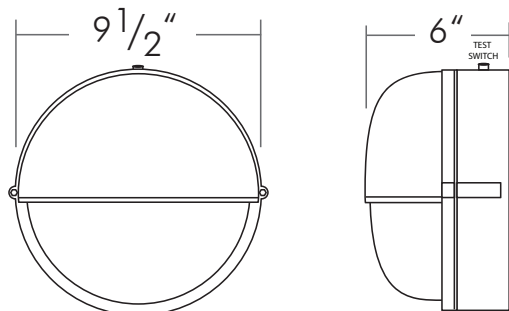
ORDERING EXAMPLE : WD1Q362EMB

WD1Q362EM	FINISH	BEAM SPREAD	LED
WD1Q362EM	B :Black	Blank :Wide Flood	Blank :4000K
	W :White	-B10 :Narrow Spot	-T17 :1700K**
	BZ :Bronze*	-B20 :Spot	-T25 :2500K**
	S :Silver*	-B45 :Flood	-T27 :2700K*
			-T27-C97 :2700K, 97CRI***
			-T30 :3000K
			-T30-C97 :3000K, 97CRI***
			-T35 :3500K*
			-T50 :5000K*
			-T56 :5600K*

* Special Order. Minimum order. Extended lead time may apply. Consult Factory.
**Extended Lead Time may apply. Consult Factory.
***Only available in 2700K and 3000K.

ID#: 3348

WL250EMA - 9" ROUND ARCHITECTURAL EMERGENCY ARCHITECTURAL EMERGENCY FIXTURE



SPECIFICATION

Application: Round surface luminaire with a half lid faceplate. Designed to conform with architectural requirements for heavy traffic areas. This unit is suitable for the illumination of a wide range of lighting applications, such as of walkways, ramps and many other indoor and outdoor applications.

Housing: Constructed of a one piece high grade die cast aluminum with a powder coat finish. Includes a rear wiring compartment and a molded U-channel gasket. One (1) through hole provided with a universal mounting bracket and threaded nipple for installation to an electrical j-box.

Faceplate: Round half lid one-piece high grade die cast aluminum with a powder coat finish and prismatic, sandblasted, semi-translucent, tempered glass lens with a molded U-channel gasket. Secured to housing by two (2) captive, stainless steel screws.

Through Wiring: A maximum of four (4) No. 12 AWG conductors (plus ground wire)

Listing: UL / ETL Listed, suitable for wet locations and for all types of construction including poured concrete.

Electrical: AC 50/60Hz Electronic Direct Current Class 2 driver integrally mounted. Power Factor > 0.90. Accessible from above or below ceiling.

Emergency: Emergency LED Battery Back-up integrally mounted inside fixture for unabrasive design illuminates during normal power to blend in with other AC Only Architectural Luminaires. Upon failure of normal utility power, the device immediately switches to the emergency mode, operating the LEDs for a minimum of 90 minutes. Level A Sound Rating. Battery Operates @ 0°C to 40°C Ambient (32°F to 104°F). Battery re-charge within 24 hours. The battery is a maintenance-free, environmentally friendly Lithium Iron Phosphate with 50,000 hour life.. A low voltage battery disconnect feature protects the battery from severe damage during prolonged power failures. Self-diagnostic feature monitors LED status, emergency LED driver circuit, battery capacity and charger function and displays any fault detection via test switch.

Transient surge protection device on AC input. (Line-Neutral 1kV, Line & Neutral-Ground 3kV.) Short Circuit/Overload and Over Temperature Protection.

Test Switch: Exposed Illuminated push test switch easily accessible from front of fixture. Blinking LED indicates fixture fault to alert maintenance. Manual testing is available at any time using the push-to-test button.

Lumen Maintenance: Minimum 50,000 hours L70 life based on ANSI TM-21 calculations from LM80 standardized test results. See ordering guide for delivered lumens.

Dimming: 0-10V dimming option (-D10) works with most 5-Wire 0-10V dimmers. Factory qualified for use with Leviton IP710-DLX and Lutron NTFTV-WH.

Warranty: Covered by a 5 Year Warranty to be free of defects in materials and craftsmanship.

Finish: Available in Black and White*.

Lumens: Available in 10W/600Lm and 20W/1500Lm.

Color Temp: Available in 3000K, 4000K and 5000K.

LED Details:

20W 1500 Lumen Package

Color Rendering Index (CRI): 80
Color Temperature: 3,000K
Lamp Equivalent: 1-42W CFL, 150W A-Lamp

Benefit:

- Self-Diagnostic test switch
- Glare-Free Soft Diffused Illumination
- Tamper Proof Hardware
- 80+CRI Light Quality
- IP65 RATED

2017.4.27

FEATURE:



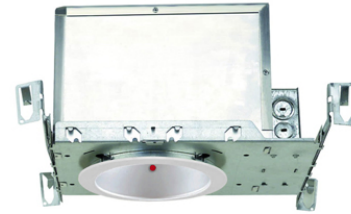
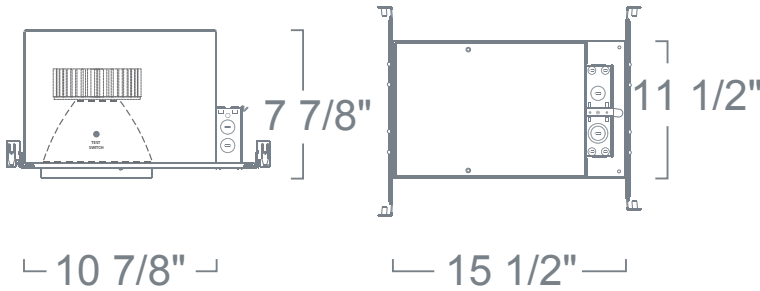
ORDERING EXAMPLE : WL250EMAW-L06UE-T30

WL250EMA	FINISH	LUMENS	OPTIONS	COLOR TEMP
WL250EMA	B :Black	-L06 :10W/600Lm	UE :120V/277V	-T30 :3000K
	W :White*	-L15 :20W/1500Lm	UE-D10 :120V/277V 0-10V Dimming	-T40 :4000K
				-T50 :5000K

* Extended Lead Time

ID#: 3346

CH628EMA-D10 - 6" EMERGENCY DOWNLIGHT - 2200LM ARCHITECTURAL EMERGENCY FIXTURE



SPECIFICATION

Application: Professional-grade recessed LED downlight housing for medium to high ceilings in commercial and architectural spaces.

Mounting: Housing suitable for new construction installations only, supplied with (2) 24" adjustable hanger bars with 90 degrees repositioning ability. Suitable for wood & metal joist support systems, and also drywall & T-bar ceilings. Hanger bars equipped with nail-less install 3/4" serrated barbed studs and with captive nails, for faster and easier secure mounting in wood joists. Set-screws lock into position and prevent shifting after installation. Earthquake structural cable compatible for drop panel ceiling or any other mounting that requires direct support from structural ceilings.

Driver: 120V/277V AC 50/60Hz Electronic Direct Current Class 2 driver integrally mounted on large access Junction Box. Power Factor > 0.90. Operating Temperature: -10°C to +80°C. Accessible from above or below ceiling.

Emergency: Emergency LED Battery Back-up integrally mounted inside fixture for unobtrusive design illuminates during normal power to blend in with other AC Only Architectural Luminaires. Upon failure of normal utility power, the device immediately switches to the emergency mode, operating the LEDs for a minimum of 90 minutes. Level A Sound Rating. Battery Operates @ 0°C to 40°C Ambient (32°F to 104°F). Battery re-charge within 24 hours. The battery is a maintenance-free, environmentally friendly Lithium Iron Phosphate with 50,000 hour life.. A low voltage battery disconnect feature protects the battery from severe damage during prolonged power failures. Self-diagnostic feature monitors LED status, emergency LED driver circuit, battery capacity and charger function and displays any fault detection via test switch.

Transient surge protection device on AC input. (Line-Neutral 1kV, Line & Neutral-Ground 3kV.) Short Circuit/Overload and Over Temperature Protection.

Test Switch: Exposed Illuminated push test switch easily accessible from front of fixture. Blinking LED indicates fixture fault to alert maintenance. Manual testing is available at any time using the push-to-test button.

Junction Box: 16 gauge pre-wired galvanized steel double Junction Box, 64 cubic-inch for a maximum of (8) #12 AWG wires. Furnished with (10) 3/4", (2) 1" and (8) Romex knock-outs. Strain clamps to install or remove covers for easy access and ground wire. Equipped with safety standard die-cast aluminum fitting for flex-conduit.

Caution: LITON recommends use of surge protectors on the power entering LED Housings. Surge damage is not covered by warranty.

Reflector Construction: One piece, self-flanged dual-reflector LED design enables a clean trim finish, without the need for a secondary trim ring. Heavy-gauge aluminum reflector prevents ugly dents during shipping and installation. Deeply mounted singular LED provides 50 degree visual cutoff for a glare-free appearance.

Power Connection: LED lamp array is replaceable via on board quick disconnect terminal. Meets CA Title 24 Requirements and other standards restricting the use of Medium Base or Bi-Pin Sockets.

Lumen Maintenance: Minimum 50,000 hours L70 life based on ANSI TM-21 calculations from LM80 standardized test results.

Thermal Management: Effective thermal dissipation facilitated by integral cast-aluminum, heat sink design for maximum heat rejection to provide long LED life.

Thermal Temperature: Heat dissipation facilitated by exposed integral aluminum heat sink to maximize heat rejection in an open air environment. Recommended ambient temperature is below 35 degree celsius to achieve minimum L70 life of 50,000 hours according to LM80 standard.

Warranty: Covered by a 5 Year Warranty to be free of defects in materials and craftsmanship. Recommended for applications where ambient temperatures do not exceed 35°C, installations exceeding this temperature will result in reduced LED lamp life and a voided warranty.

Safety Labels: ETL/cETL listed to UL1598 and UL8750. Suitable for dry, damp and wet locations. NYC approved: Calendar #41937.

Reflector Finish: Available in Haze Reflector/White Ring and White Reflector/White Ring.

Color Temperature: Available in 3000K, 3500K and 4000K.

Benefit:

- Illuminated Self-Diagnostic LED test switch
- Ready2Ship - Ships Same Day
- Heavy Duty Self-Flanged Reflector
- Standard with 0-10V Dimming
- 1000Lm delivered during emergency operation
- Soft Even Lumen Distribution

2017.4.27

FEATURE:

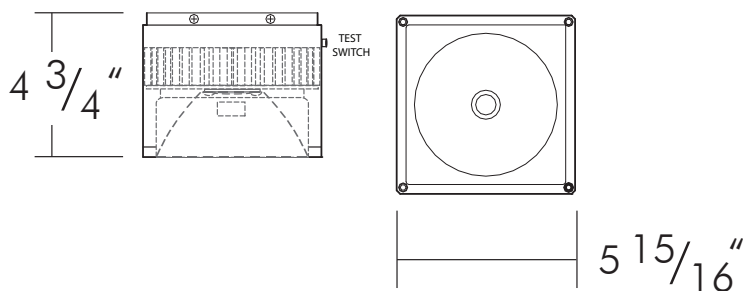


ORDERING EXAMPLE : CH628EMA-D10/CR6L36EMASW-T35

CH628EMA-D10	REFLECTOR FINISH	COLOR TEMPERATURE
CH628EMA-D10	/CR6L36EMASW :Haze Reflector/White Ring	-T30 :3000K
	/CR6L36EMAWW :White Reflector/White Ring	-T35 :3500K
		-T40 :4000K

ID#: 3349

DLQ360EM - 6" EMERGENCY CEILING DOWNLIGHT (IP65) - 1200LM ARCHITECTURAL EMERGENCY FIXTURE



SPECIFICATION

15W

Application: This DL Series covered ceiling mount down light can be used in both interior and outdoor settings. Typical locations are in commercial and retail spaces that require lighting from above. Dark Sky compliant.

Housing: Constructed from a square one piece high grade aluminum extrusion, die cast aluminum top plate, and faceplate with a powder coat finish. Includes COB LED, reflector, LED driver and a mounting plate. Top plate is secured to housing by four (4) tamper resistant, stainless steel screws. Mounting plate is secured to top plate with four (4) flat head Phillips stainless steel screws and installs onto a 4" octagonal electrical junction box.

Mounting: Fixture includes a mounting bracket for installation directly to (or over) a 4" octagonal electrical junction-box.

Faceplate: Square one piece die cast aluminum with powder coat finish, clear tempered glass lens, and silicone o-ring. Faceplate is secured to the housing by four (4) tamper resistant, stainless steel screws.

Reflector Construction: One piece, heavy-gauge aluminum reflector prevents ugly dents during shipping and installation. Deeply mounted singular LED provides 50 degree visual cutoff for a glare-free appearance.

Lumen Maintenance: Minimum 50,000 hours L70 life based on ANSI TM-21 calculations from LM80 standardized test results. See ordering guide for delivered lumens.

Electrical: AC 50/60Hz Electronic Direct Current Class 2 driver integrally mounted. Power Factor > 0.90.

Emergency: Emergency LED Battery Back-up integrally mounted inside fixture for unobtrusive design illuminates during normal power to blend in with other AC Only Architectural Luminaires. Upon failure of normal utility power, the device immediately switches to the emergency mode, operating the LEDs for a minimum of 90 minutes. Level A Sound Rating. Battery Operates @ 0°C to 40°C Ambient (32°F to 104°F). Battery re-charge within 24 hours. The battery is a maintenance-free, environmentally friendly Lithium Iron Phosphate with 50,000 hour life.. A low voltage battery disconnect feature protects the battery from severe damage during prolonged power failures. Self-diagnostic feature monitors LED status, emergency LED driver circuit, battery capacity and charger function and displays any fault detection via test switch.

Transient surge protection device on AC input. (Line-Neutral 1kV, Line & Neutral-Ground 3kV.) Short Circuit/Overload and Over Temperature Protection.

Test Switch: Exposed Illuminated push test switch easily accessible from front of fixture. Blinking LED indicates fixture fault to alert maintenance. Manual testing is available at any time using the push-to-test button.

Caution: LITON recommends use of surge protectors on the power entering LED Housings. Surge damage is not covered by warranty.

Warranty: Covered by a 5 Year Warranty to be free of defects in materials and craftsmanship. Fixture should not be installed in applications with ambient temperature above 60 degrees C. Doing so will result in reduced lamp life and voided warranty.

Note: Dark Sky compliant.

Listing: ETL / cETL Listed. Suitable for wet location. Assembled in USA. (IP65).

Finish: A 7-stage electrostatic, polymer process provides a finish that delivers outstanding durability, superior anti-aging, resistance to corrosion and UV-degradation Available in Black, White, Bronze* and Silver*.

Beam Spread: Available in Wide Flood, Narrow Spot, Spot and Flood.

LED: Available in 4000K, 1700K**, 2500K**, 2700K*, 2700K, 97CRI***, 3000K, 3000K, 97CRI***, 3500K*, 5000K* and 5600K*.

2017.4.27

FEATURE:



ORDERING EXAMPLE : DLQ360EMBZ

DLQ360EM	FINISH	BEAM SPREAD	LED
DLQ360EM	B :Black	Blank :Wide Flood	Blank :4000K
	W :White	-B10 :Narrow Spot	-T17 :1700K**
	BZ :Bronze*	-B20 :Spot	-T25 :2500K**
	S :Silver*	-B45 :Flood	-T27 :2700K*
			-T27-C97 :2700K, 97CRI***
			-T30 :3000K
			-T30-C97 :3000K, 97CRI***
			-T35 :3500K*
			-T50 :5000K*
			-T56 :5600K*

* Special Order. Minimum order. Extended lead time may apply. Consult Factory.
**Extended Lead Time may apply. Consult Factory.
***Only available in 2700K and 3000K.

ID#: 3347