

READ AND UNDERSTAND ALL INSTALLATION INSTRUCTIONS BEFORE INSTALLING FIXTURE!

SAVE THESE INSTRUCTIONS

CATALOG # : AG241

• **Danger:** Always disconnect power before wiring, or maintenance. Fixture must be installed by a qualified electrician. Do not install in locations where water collects and/or stands for prolonged periods of time. Fixture must always be installed according to local and national electrical codes, rules & regulations. Fixture must be installed on a circuit protected by Ground Fault Circuit Interrupter (GFCI).

• **Warning:** The joint MUST be sealed between the mounting surface (e.g., wall, ground, ceiling, etc.) and the fixture with an appropriate sealing / caulking compound to provide a watertight seal. Seal all conduit opening(s) and opening(s) from water entry. Before service ensure fixture is cool to touch. Always ensure that all gaskets and sealing surfaces are free of dirt and debris.

LED fixture(s), LED driver(s) and LED electrical components are more precise electrically than standard non LED products (e.g. Incandescent, Compact Fluorescent, H.I.D., etc.). Please follow the following guidelines/requirements when installing LED fixture(s)/LED driver(s).

1. Install LED fixture(s) and/or LED driver(s) only on their own circuit. Do not mix any other non LED products/fixtures (e.g., Incandescent, Compact Fluorescent, H.I.D., etc.) with LED fixture(s)/LED driver(s) on a single circuit.
2. Do not use any other electrical equipment (e.g., surge protectors, photocells, etc.) that is not (rated) for use with LED fixture(s)/LED driver(s) on the same circuit as LED fixture(s)/LED driver(s).
3. Use GFCI's (by others) on each circuit (per installation instructions) appropriate for the installation.
4. Install remote surge protector(s) (by others, goes on the circuit with nothing between the surge protector and the LED fixture(s)/LED driver(s)), if the fixture is not already installed with a surge protector, to help remove power surges that may harm LED fixture(s), appropriate for the installation. Periodically check and make sure that your remote surge protector(s) are in good working order.

AG241 FACEPLATE STYLES

Required Tools:
M3 Allen Key
M5 Allen Key

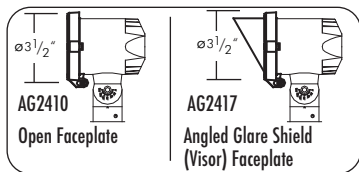


Figure A

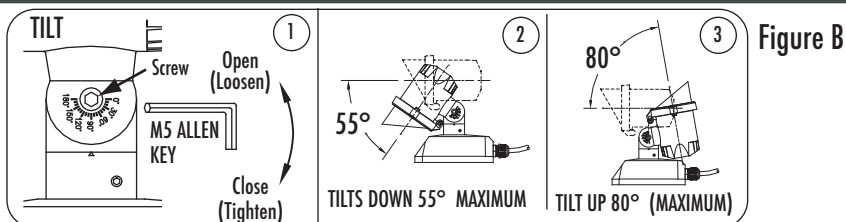
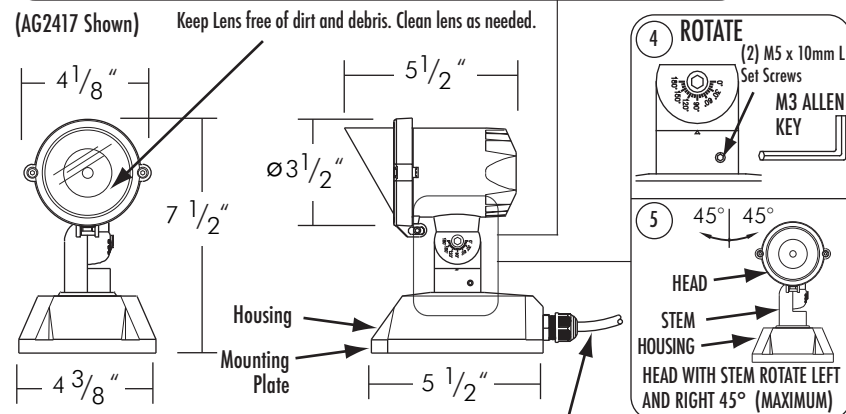


Figure B



Cord (by others). Use cord with a Minimum 90°C temperature rating, and with a cord diameter range of Ø 0.259" to Ø 0.393"

AG241 HOUSING (Bottom View)

NOTE: Only use Housing Bottom for marking mounting hole Location on mounting surface.

(4) HOLES FOR MAX. 8-32 (or M4) FLAT HEAD SCREWS (FOR MOUNTING)

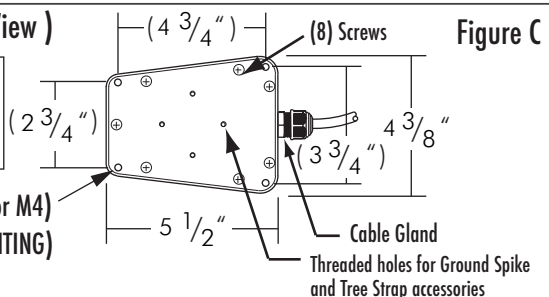


Figure C

Fixture Installation:

NOTE: DO NOT USE POWER TOOLS TO REMOVE OR (RE)INSTALL ALL SCREWS. USE ONLY HAND TOOLS. TIGHTEN ALL SCREWS SECURELY BUT DO NOT OVER TIGHTEN!

AG241 ground and wall mount luminaire is designed for general landscape lighting, signs, flag poles and building facades.

1. Make sure supply wiring is in place before mounting fixture.
2. Locate fixture at approximate installation location and tilt and/or rotate head (with stem) to desired angle (see "a" & "b" below) before mounting fixture to mounting surface.

- a) Tilt Head: Loosen screw (do not remove screw from stem) with M5 allen key (by others, FIGURE B, #1) and adjust head up or down (FIGURE B, #2 and #3). Tighten screw securely and tightly to seal out water and so that teeth in swivel fully lock together. Do not over tighten screw.

- b) Rotate Head (with stem): Loosen the (2) swivel set screws in stem (do not remove set screws from stem) with M3 allen key (by others, FIGURE B, #4) until head with stem rotate smoothly. Rotate head (with stem) left or right 45° (maximum, do not rotate more than 45°, see FIGURE B, #5). Make sure stem is flat on housing and then tighten both set screws in stem securely to seal out water. Do not over tighten set screws.

3. Remove (8) screws (by screwdriver, not by power tools) on the bottom of the mounting plate (with gasket) and carefully remove mounting plate from housing (See Figure B, and C).

4. Use a (3) conductor 18AWG (18/3) cord (or more conductors, as needed) rated 90°C minimum temperature and have a cord diameter range between : Ø 0.259" to Ø 0.393". Cord length and indoor or outdoor rating depends on installation conditions, as required.

5. Install cord in cable gland (FIGURE C) and connect wires to LED driver wires with wire connectors (by others) rated 90°C minimum temperature and tighten cable gland around cord to prevent water entry. Do not over tighten.

6. Replace mounting plate (with gasket) to housing and tighten (8) screws (by screwdriver, not by power tools) on the bottom of the mounting plate (See Figure B, and C). Tighten screws securely to prevent water entry. Do not over tighten screws.

7. Mount fixture housing (FIGURE C) securely on mounting surface with hardware (by others) depending on conditions. Mounting accessories (tree strap and ground spike, order separately) may be needed depending on your mounting application.

8. Connect the supply wiring (by others) to fixture wire, etc. See "Wiring" instructions below.

Wiring Fixture:

WARNING: Check fixture for input voltage before connecting power to fixture.

1. Connect ground wire (green or bare copper/aluminum) from the supply circuit to the ground wire (green or bare copper) /screw/connector from the luminaire.
2. Connect the neutral (common) wire from the power supply to the neutral wire from the luminaire.
3. Connect the main voltage supply wire (line/lead) from the power supply to the line (lead) wire from the luminaire.
4. Secure connection using UL Listed wire nuts/connectors and then with UL Listed Electrical tape (by others), as required, appropriate for the connection. A separate outdoor j-box (by others) may be needed depending on your application.
5. For Dimming wiring see Liton web site.

11/30/2017