



BL2QZ Series bollard. Suitable for wet locations, Suitable for mounting 4 feet of the ground.

INSTALLATION INSTRUCTIONS for BL2QZ Series

READ AND UNDERSTAND ALL INSTALLATION INSTRUCTIONS BEFORE INSTALLING FIXTURE!

CATALOG#: BL2QZ-31, BL2QZ-40, BL2QZ-59, BL2QZ-78, BL2QZ-98, BL2QZ-118

SAVE THESE INSTRUCTIONS

- **Danger:** Always disconnect power before wiring, or maintenance. Fixture must be installed by a qualified electrician. Do not install in locations where water collects and/or stands for prolonged periods of time. Fixture must always be installed according to local and national electrical codes, rules & regulations. Fixture must be installed on a circuit protected by Ground Fault Circuit Interrupter (GFCI).
- **Warning:** The joint MUST be sealed between the mounting surface (e.g., wall, ground, ceiling, etc.) and the fixture with an appropriate sealing / caulking compound to provide a watertight seal. Seal all conduit opening(s) and opening(s) from water entry. Before service ensure fixture is cool to touch. Always ensure that all gaskets and sealing surfaces are free of dirt and debris.

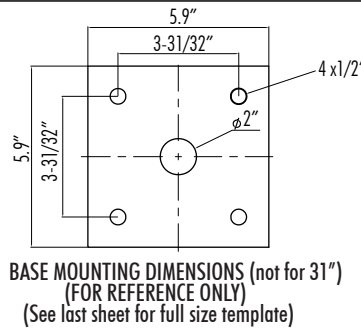
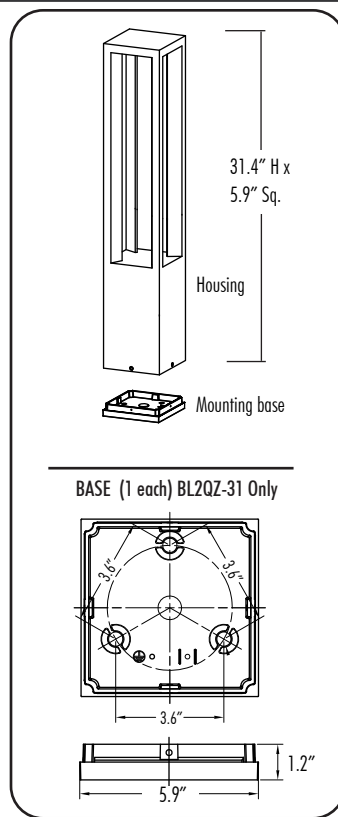
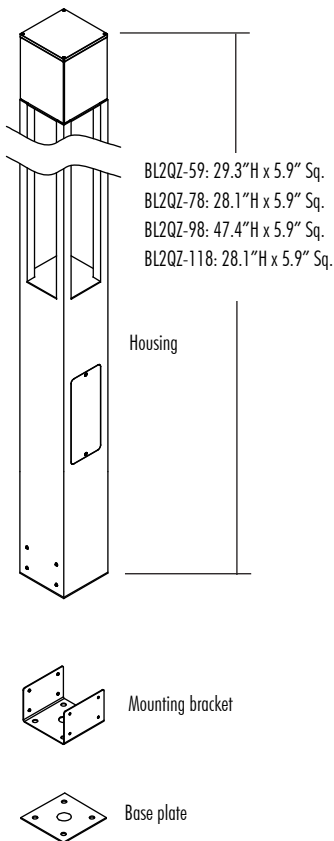
LED fixture(s), LED driver(s) and LED electrical components are more precise electrically than standard non LED products (e.g. Incandescent, Compact Fluorescent, H.I.D., etc.). Please follow the following guidelines/requirements when installing LED fixture(s)/LED driver(s).

1. Install LED fixture(s) and/or LED driver(s) only on their own circuit. Do not mix any other non LED products/fixtures (e.g., Incandescent, Compact Fluorescent, H.I.D., etc.) with LED fixture(s)/LED driver(s) on a single circuit.
2. Do not use any other electrical equipment (e.g., surge protectors, photocells, etc.) that is not (rated) for use with LED fixture(s)/LED driver(s) on the same circuit as LED fixture(s)/LED driver(s).
3. Use GFCI's (by others) on each circuit (per installation instructions) appropriate for the installation.
4. Install remote surge protector(s) (by others, goes on the circuit with nothing between the surge protector and the LED fixture(s)/LED driver(s) ), if the fixture is not already installed with a surge protector, to help remove power surges that may harm LED fixture(s), appropriate for the installation. Periodically check and make sure that your remote surge protector(s) are in good working order.
5. Keep fixture and len free of dirt, debris (includes ice and snow).

Components / Parts (NOTE: ALL HARDWARE FOR EACH FIXTURE IN POST).

Components Dimensions

Tools Required



- Phillips Head Screwdriver
- Flat Head Screwdriver
- Hardware (screws, nuts, etc., By others)
- DO NOT USE POWER TOOLS.
- ONLY USE HAND TOOLS.

**ANCHOR BOLT KIT # ABKT-G-516-3**  
**BL2QZ-31 ONLY**

INCLUDES:

- M10 x 6.5" long x 2" leg Stainless Sfl Anchor bolts (3)
- M10 NUT, GALV. STL (6)
- M10 SPLIT LOCK WASHER, GALV. STL (3)
- M10 WASHER, GALV. STL (6)
- Triangular metal template (1)

**ANCHOR BOLT KIT # ABKT-S-M12-3-T2**  
**(FOR BL2R-59, BL2R-78, & BL2R-98 FIXTURES)**

INCLUDES :

- M12 x 11-3/4" LONG x 2" LEG ANCHOR BOLTS, STAINLESS STL (4)
- M12 (REGULAR HEIGHT) NUTS, STAINLESS STL (8)
- M12 (LOW HEIGHT LEVELING) NUTS, STAINLESS STL (8)
- M12 SPLIT LOCK WASHERS, STAINLESS STL (8)
- M12 WASHERS, STAINLESS STL (8)
- SQUARE BASE PLATE

M5 x 12mm L Flat Socket Head Screws (M3 Allen Key) (3) FOR BL2R (-31) (6) FOR BL2R (-59), BL2R (-78), & BL2R (-98)

ALLEN KEYS: T25 TORK TAMPER RESISTANT ALLEN KEY (1) For BL2R-59, BL2R-78 & BL2R-98 & M3 ALLEN KEY (1) M2.5 ALLEN KEY (1)

INSTALLATION INSTRUCTIONS

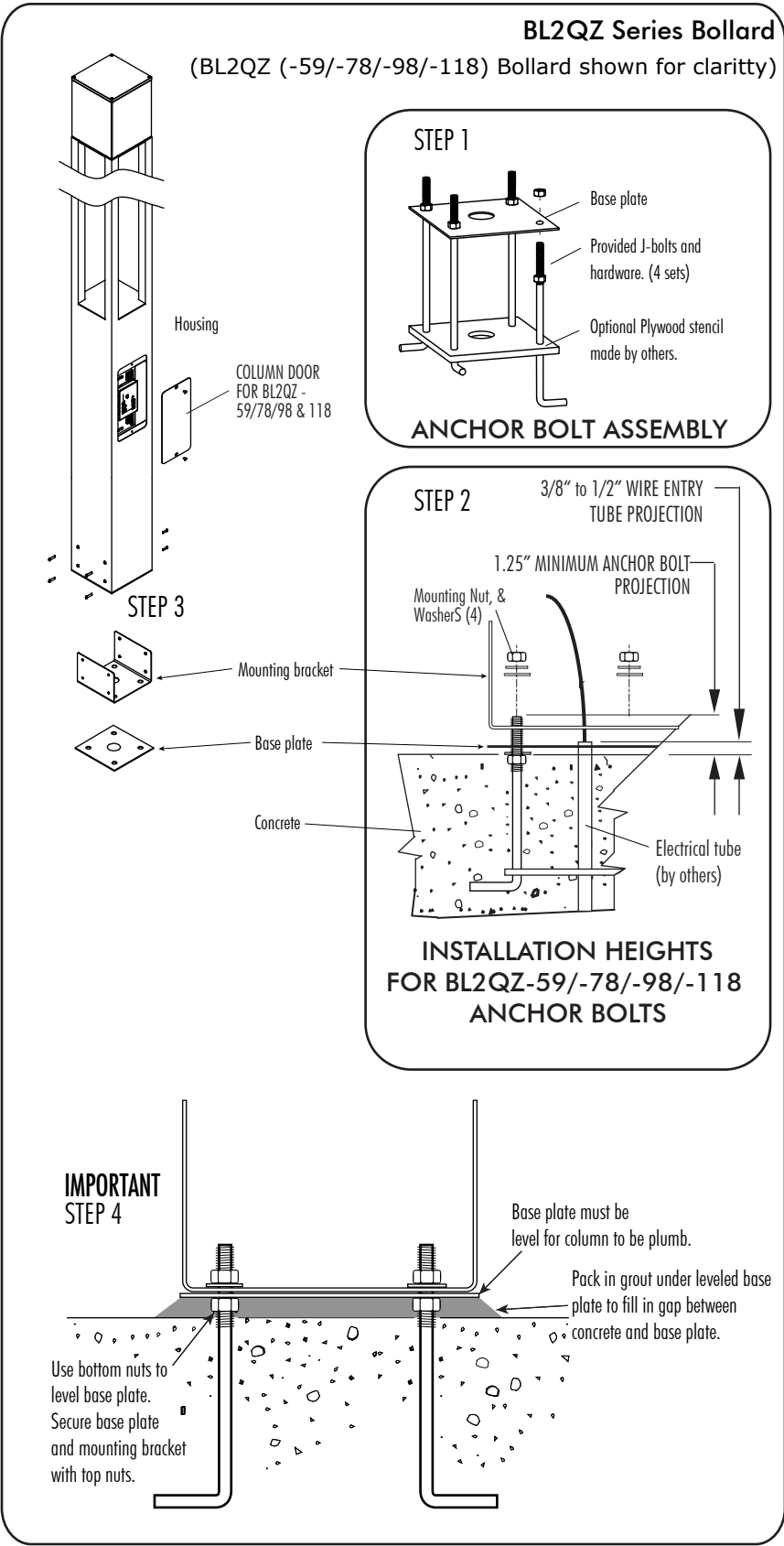


BL2QZ Series bollard. Suitable for wet locations,  
Suitable for mounting 1.2m (4 feet) of the ground.

INSTALLATION INSTRUCTIONS for BL2QZ Series

SAVE THESE INSTRUCTIONS

CATALOG#: BL2QZ-31, BL2QZ-40, BL2QZ-59, BL2QZ-78, BL2QZ-98, BL2QZ-118

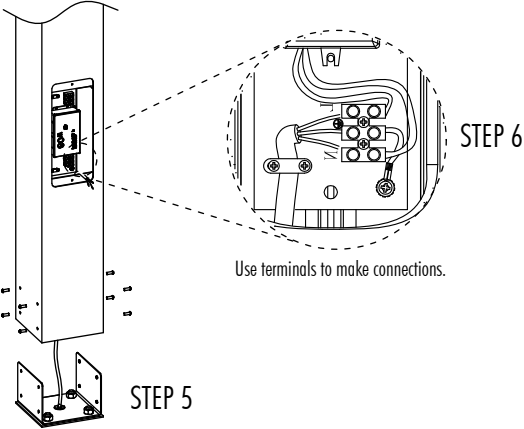


Fixture Installation:

- 1) Assemble Anchor bolt assembly kit as shown with the base plate(or template on page 5).
- 2) Secure Anchor bolt assembly kit in a solid substrate, make sure that the base plate is at grade level or slightly above and level with wiring (by others) to the fixture are in place. Make sure anchor bolt assembly is solid in substrate before going to step 3.
- 3) Loosen 4 screws at base of housing with the supplied M3 hex wrench and remove the mounting base.
- 4) Remove top nuts and washers on base plate leaving the bottom nuts in place and check level. Level base with bottom nuts and install mounting base securing with top nuts, once level, fill in any gaps with grout (by others).
- 5) Wire fixture per wiring instructions shown below (WIRING) from bottom of fixture post. Mount housing to base with M3 hex wrench, start threads on all screws before tightening being careful not to cross thread. Use T20 or T25 Torx wrench (provided) to open door for wiring. Replace door and align in place so there are no gaps to prevent water from entering post.

WIRING

- 6) Connect ground wire (green or bare copper) from the supply circuit to the ground terminal from the luminaire.
- 7) Connect the neutral (white) wire from the supply circuit to the neutral terminal from the luminaire.
- 8) Connect the hot (black) wire from the supply circuit to the hot terminal from the luminaire.



INSTALLATION INSTRUCTIONS



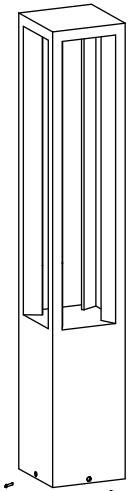
BL2QZ Series bollard. Suitable for wet locations,  
Suitable for mounting 1.2m (4 feet) of the ground.

INSTALLATION INSTR

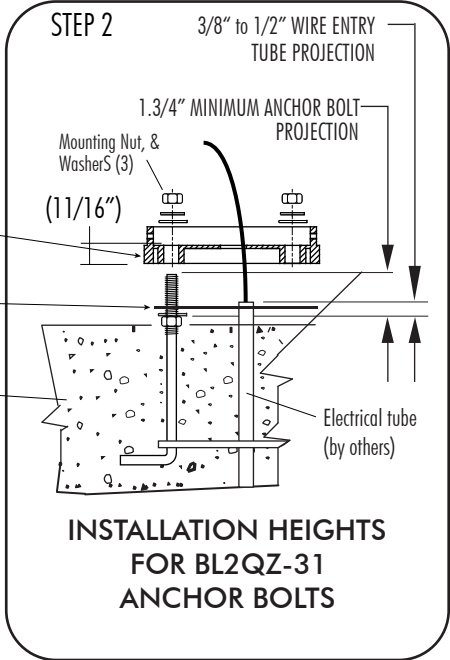
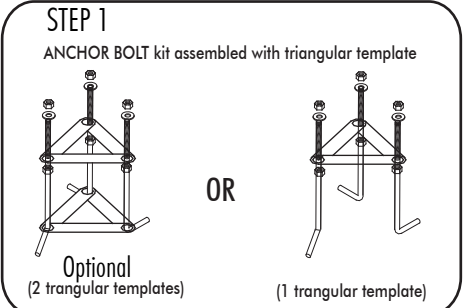
SAVE THESE INSTRUCTIONS

CATALOG#: BL2QZ-31 Only

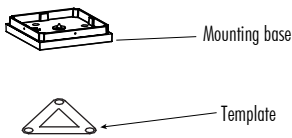
BL2QZ- 31 Bollard



BL2QZ-31  
Housing

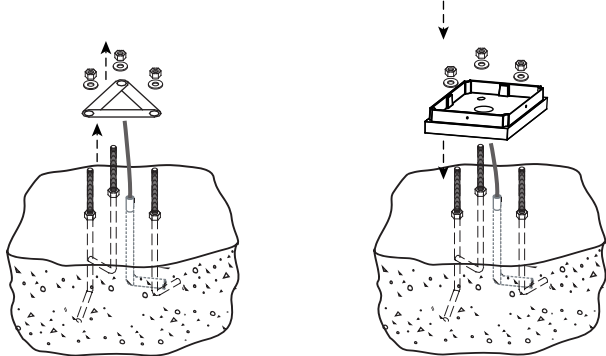


STEP 3



Mounting base  
Template  
Concrete

STEP 4



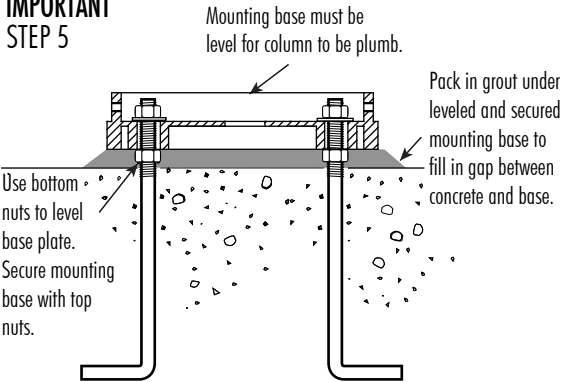
Fixture Installation:

- 1) Assemble Anchor bolt assembly kit as shown with triangular metal template (or template on page 5) or use appropriate anchor screws by others. Follow your state local codes as required.
- 2) Secure Anchor bolt assembly kit (with triangle templates or base) in a solid substrate, make sure that the triangular metal template is at grade level or slightly above and level with wiring (by others) to the fixture are in place. Make sure anchor bolt assembly is solid in substrate before going to step 3.
- 3) Loosen 4 screws at base of housing with the supplied M3 hex wrench and remove the mounting base.
- 4) Remove the triangular metal template leaving the bottom nuts in place and replace with mounting base.
- 5) Level base with bottom nuts and secure with top nuts, once level, fill in any gaps with grout (by others).
- 6) Wire fixture per wiring instructions shown below (WIRING) from bottom of fixture housing. Mount housing to base with M3 hex wrench, start threads on all screws before tightening being careful not to cross thread.

WIRING

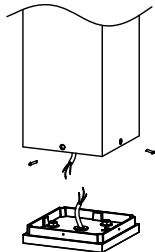
- 7) Connect ground wire (green or bare copper) from the supply circuit to the ground wire from the luminaire.
- 8) Connect the neutral (white) wire from the supply circuit to the neutral wire from the luminaire.
- 9) Connect the hot (black) wire from the supply circuit to the hot wire from the luminaire.

IMPORTANT STEP 5



STEP 6

Make connections and mount base.



INSTALLATION INSTRUCTIONS



## SAVE THESE INSTRUCTIONS

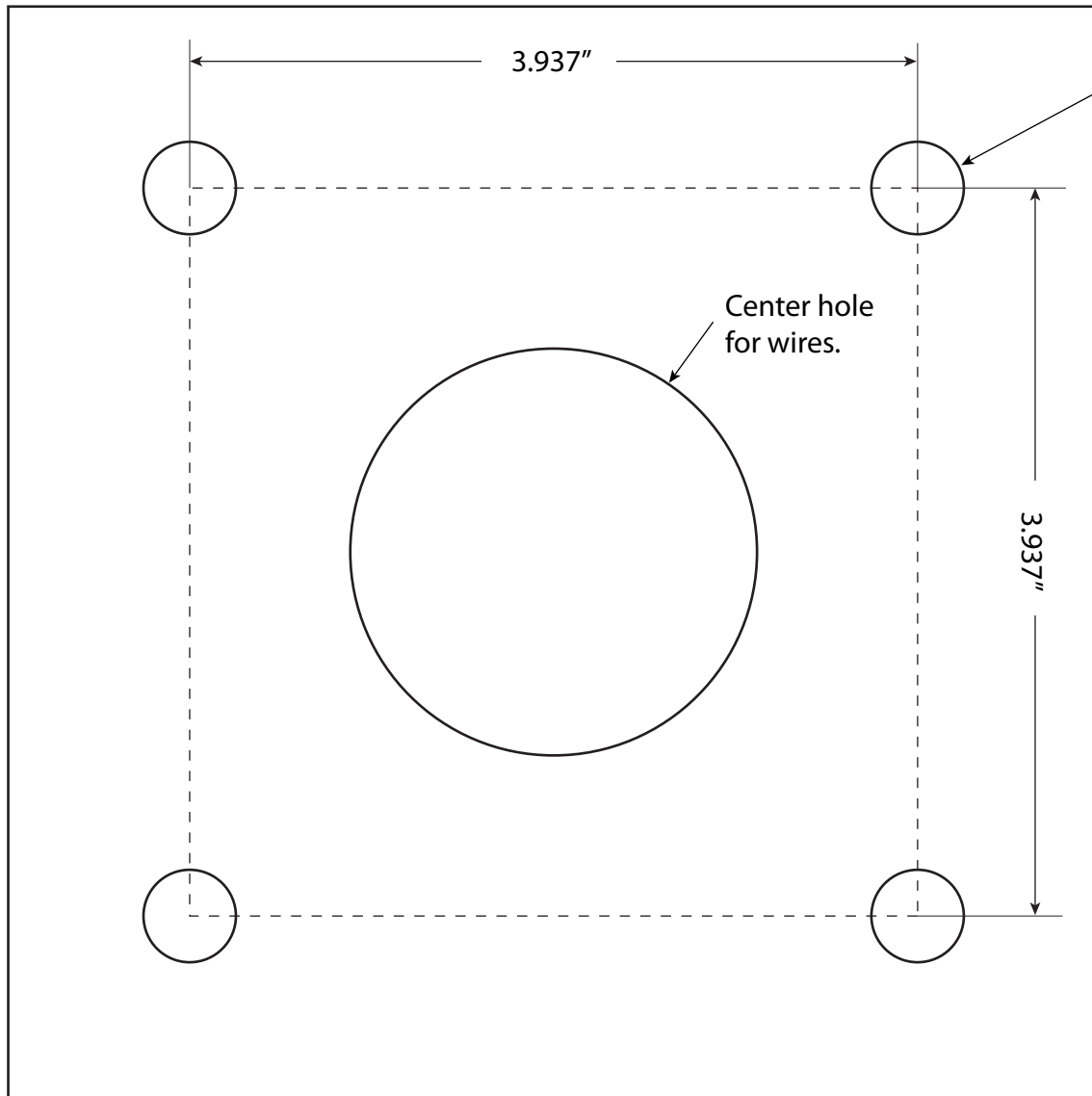
MOUNTING TEMPLATE for BL2QZ-59, BL2QZ-78, BL2QZ-98, BL2QZ-118 only

**DO NOT SCALE THIS TEMPLATE! USE TEMPLATE AT FULL SCALE ONLY.**

CHECK PRINTED TEMPLATE TO MAKE SURE TEMPLATE IS AT FULL SCALE BY USING BOTH RULERS ON THIS TEMPLATE AND BY MEASURING THE DISTANCE FROM HOLE TO HOLE 3.937" (Approximately 3-31/32") !

If template is still not at full scale then use the fixture base plate for BL2QZ-59, BL2QZ-78, BL2QZ-98 or BL2QZ-118.

Lorem ipsum



1/2" hole  
4 places

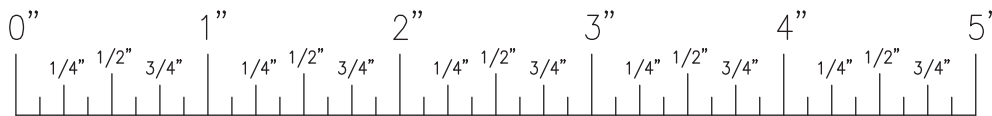
Center hole  
for wires.

INSTALLATION INSTRUCTIONS



RULER (INCHES)

MOUNTING TEMPLATE (TOP VIEW) SCALE: 1:1



RULER (INCHES)

## SAVE THESE INSTRUCTIONS

MOUNTING TEMPLATE for BL2QZ-31 only

**DO NOT SCALE THIS TEMPLATE! USE TEMPLATE AT FULL SCALE ONLY.**

CHECK PRINTED TEMPLATE TO MAKE SURE TEMPLATE IS AT FULL SCALE BY USING BOTH RULERS ON THIS TEMPLATE AND BY MEASURING THE DISTANCE FROM HOLE TO HOLE 3.614" (Approximately 3-19/32")

If template is still not at full scale then use the fixture base plate for BL2QZ-31

