



BL2 Series bollard. Suitable for wet locations, Suitable for mounting 1.2m (4 feet) of the ground.

**INSTALLATION INSTRUCTIONS** for INSTALLATION INSTRUCTIONS for BL2 Series  
**READ AND UNDERSTAND ALL INSTALLATION INSTRUCTIONS BEFORE INSTALLING FIXTURE!**

**SAVE THESE INSTRUCTIONS**

CATALOG # : BL2 -31, BL2-59, BL2-78, BL2-98

- **Danger:** Always disconnect power before wiring, or maintenance. Fixture must be installed by a qualified electrician. Do not install in locations where water collects and/or stands for prolonged periods of time. Fixture must always be installed according to local and national electrical codes, rules & regulations. Fixture must be installed on a circuit protected by Ground Fault Circuit Interrupter (GFCI).
- **Warning:** The joint **MUST** be sealed between the mounting surface (e.g., wall, ground, ceiling, etc.) and the fixture with an appropriate sealing / caulking compound to provide a watertight seal. Seal all conduit opening(s) and opening(s) from water entry. Before service ensure fixture is cool to touch. Always ensure that all gaskets and sealing surfaces are free of dirt and debris.

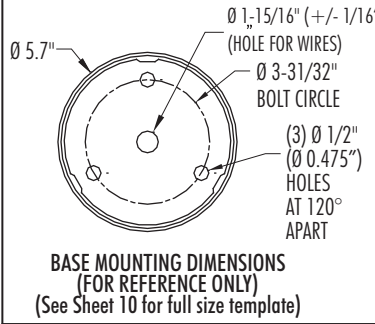
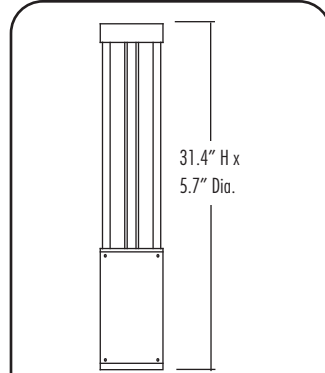
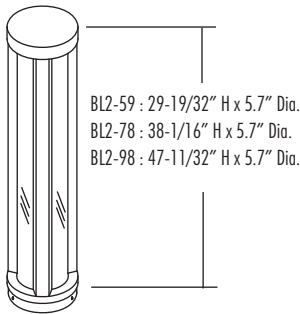
LED fixture(s), LED driver(s) and LED electrical components are more precise electrically than standard non LED products (e.g. Incandescent, Compact Fluorescent, H.I.D., etc.). Please follow the following guidelines/requirements when installing LED fixture(s)/LED driver(s).

1. Install LED fixture(s) and/or LED driver(s) only on their own circuit. Do not mix any other non LED products/fixtures (e.g., Incandescent, Compact Fluorescent, H.I.D., etc.) with LED fixture(s)/LED driver(s) on a single circuit.
2. Do not use any other electrical equipment (e.g., surge protectors, photocells, etc.) that is not (rated) for use with LED fixture(s)/LED driver(s) on the same circuit as LED fixture(s)/LED driver(s).
3. Use GFCI's (by others) on each circuit (per installation instructions) appropriate for the installation.
4. Install remote surge protector(s) (by others, goes on the circuit with nothing between the surge protector and the LED fixture(s)/LED driver(s) ), if the fixture is not already installed with a surge protector, to help remove power surges that may harm LED fixture(s), appropriate for the installation. Periodically check and make sure that your remote surge protector(s) are in good working order.
5. Keep fixture and len free of dirt, debris (includes ice and snow).

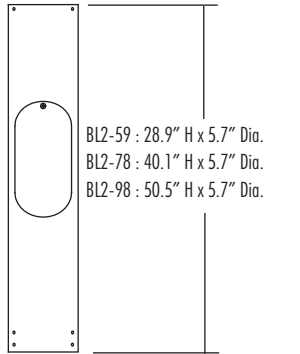
**Components / Parts** (NOTE: ALL HARDWARE FOR EACH FIXTURE IN POST).

**Components Dimensions**

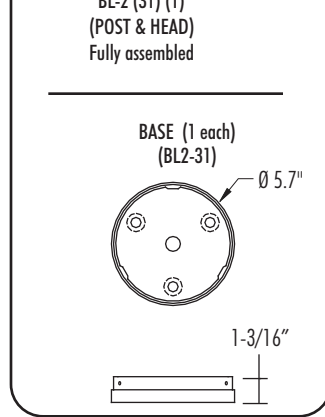
**Tools Required**



- Phillips Head Screwdriver
- Flat Head Screwdriver
- Hardware (screws, nuts, etc., By others)
- **DO NOT USE POWER TOOLS.**
- **ONLY USE HAND TOOLS.**



POST (1)  
 FOR BL2-59, BL2-78,  
 & BL2-98



**ANCHOR BOLT KIT # ABKT-G-516-3 (BL2-31 FIXTURE ONLY)**

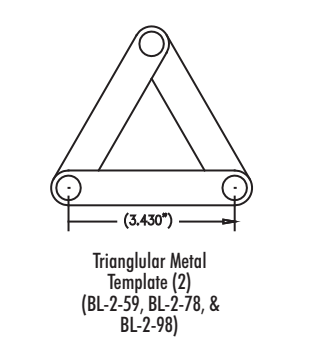
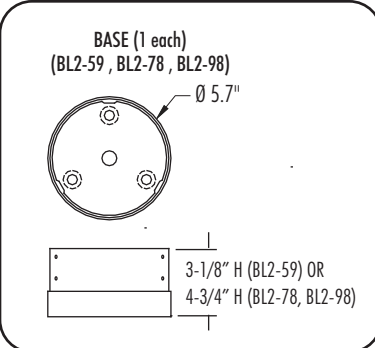
INCLUDES:

- 5/16"-18 x 8" LONG X 2" LEG ANCHOR BOLT, GALV. STL (3)
- 5/16"-18" NUT, GALV. STL (6)
- 5/16"-18" SPLIT LOCK WASHER, GALV. STL (3)
- 5/16" WASHER, GALV. STL (6)

**ANCHOR BOLT KIT # ABKT-S-M12-3-T2 (FOR BL2-59, BL2-78, & BL2-98 FIXTURES)**

INCLUDES:

- M12 x 11-3/4" LONG x 2" LEG ANCHOR BOLTS, STAINLESS STL (3)
- M12 (REGULAR HEIGHT) NUTS, STAINLESS STL (6)
- M12 (LOW HEIGHT LEVELING) NUTS, STAINLESS STL (6)
- M12 SPLIT LOCK WASHERS, STAINLESS STL (3)
- M12 WASHERS, STAINLESS STL (6)
- TRIANGULAR METAL TEMPLATE (2) (SEE LEFT FOR DIMENSIONS)



M5 x 12mm L Flat Socket Head Screws (M3 Allen Key)  
 (3) FOR BL2 (-31)  
 (6) FOR BL2 (-59), BL2 (-78), & BL2 (-98)

- ALLEN KEYS:**
- T25 TORX TAMPER RESISTANT ALLEN KEY (1) FOR BL2 (-59), BL2 (-78), BL2 (-98)
  - M3 ALLEN KEY (1)
  - M2.5 ALLEN KEY (1)

INSTALLATION INSTRUCTIONS

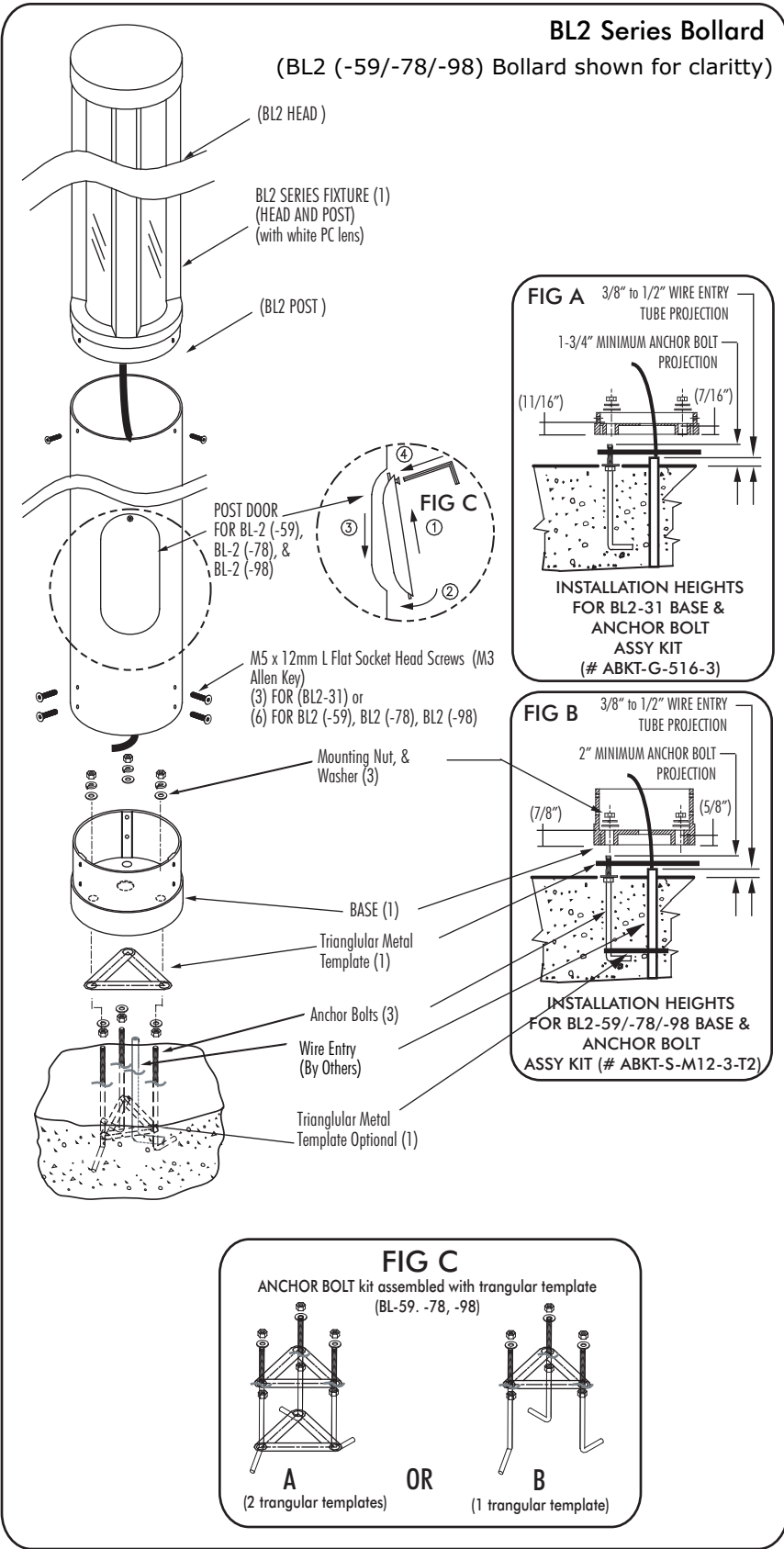


BL2 Series bollard. Suitable for wet locations,  
Suitable for mounting 1.2m (4 feet) of the ground.

INSTALLATION INSTRUCTIONS for BL2 Series

SAVE THESE INSTRUCTIONS

CATALOG # : BL2-31, BL2-59, BL2-78, BL2-98



**Fixture Installation:**

1. Assemble Anchor Bolt Assembly Kit as shown below with Triangular Metal Template (FIG C) or Base (or template page 3 - only for BL2-31 (31") fixture with 5/16" hardware (by others)) or use anchor bolt/sleeves or other sleeves (by others). Follow your national, state or local codes as required. Anchor bolts for BL2-58/-78/-98 fit snugly in Triangular Metal Template or Base and template (page 3) should not be used with these bollards.

2. Secure Anchor Bolt Assembly Kit (with triangle template or base) in a solid substrate (right, FIG A or FIG B), making sure that the Triangular Metal Template or base is at grade level (see below) and level, and wiring (by others) to the fixture is in place. Make sure Anchor Bolt Assembly Kit is solid in substrate before going to Step 3. Use only 1) Anchor Bolt Assembly Kit or 2) fixture "Triangular Metal Template" or "Base" with anchor bolts and supplied hardware (or any appropriate hardware) to install fixture.

3. Loosen 3 (or 6) screws at base of Post with the M3 allen wrench and remove the Base. Remove from top of Triangular Metal Template from the anchor bolts nuts, lock washers and washers and install the Base on in its place. Replace nuts, lock washers and washers (see below diagram) and tighten securely.

NOTE: If fixture comes with post and head separate and wires/cord is not wired from the LED to the LED driver then connect wires ("+" to "+" (red) and "-" to "-" (black) from LED array to LED driver.

4. Wire fixture per wiring instructions see note 6 below from the bottom of the fixture post. For BL2 (-59, -79, -98 if using post door, open with T20 or T25 security torq screw provided) and install post on mounting base using M3 allen key with scews. Replace door in place (FIG C) and align in place so there are no gaps from door and/to post to prevent water entry into the post.

**WIRING:**

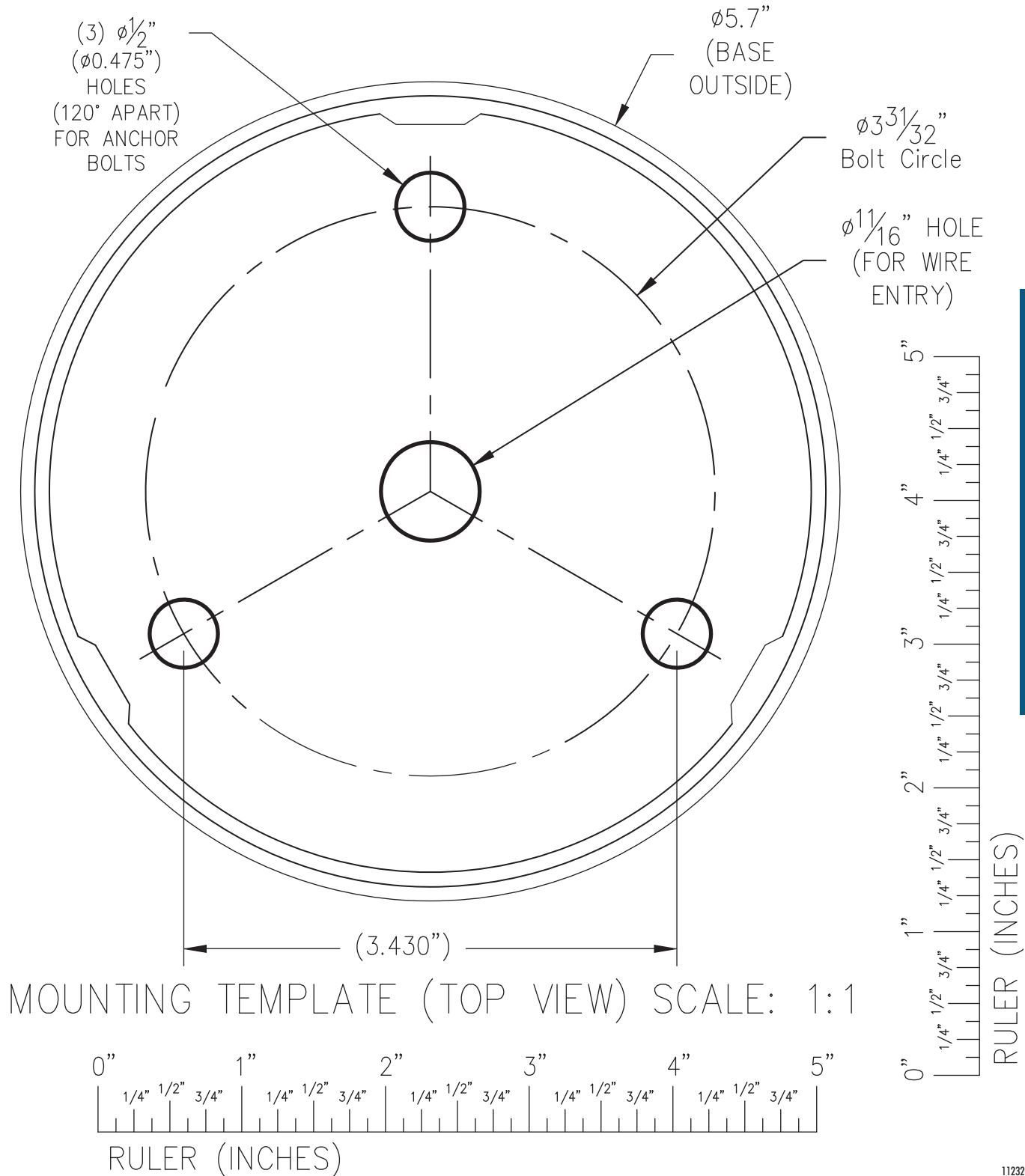
6. Make sure fixture is installed (see Fixture Installation above).
7. Connect ground wire (green or bare copper) from the supply circuit to the ground (green or bare copper) wire/screw/connector from the luminaire.
8. Connect the neutral (white) wire from the supply circuit to the neutral (white) wire/screw/connector from the luminaire.
9. Connect the hot wire from the power supply to the hot (Lead or black) wire from the luminaire.
10. Secure connection using UL Listed wire nuts/connectors (by others) and with UL Listed Electrical tape (by others) appropriate for the connection.
11. Continue with fixture installation note 5 above.

INSTALLATION INSTRUCTIONS

**DO NOT SCALE THIS TEMPLATE! USE TEMPLATE AT FULL SCALE ONLY.**

CHECK PRINTED TEMPLATE TO MAKE SURE TEMPLATE IS AT FULL SCALE BY USING BOTH RULERS ON THIS TEMPLATE AND BY MEASURING THE DISTANCE FROM HOLE TO HOLE 3.430" (Approximately 4-7/16")!

If template is still not at full scale then use the fixture base BL2-31, BL2-59, BL2-78, BL2-98 or the Triangular Metal Template.



**INSTALLATION INSTRUCTIONS**