

INSTALLATION INSTRUCTIONS FOR DLCT SERIES

CATALOG #: DLCT340, DLCTQ340, DL360

CEILING CATENARY DOWNLIGHT

• **Danger:** Always disconnect power before wiring, or maintenance. Fixture must be installed by a qualified electrician. Do not install in locations where water collects and/or stands for prolonged periods of time. Fixture must always be installed according to local and national electrical codes, rules & regulations. Fixture must be installed on a circuit protected by Ground Fault Circuit Interrupter (GFCI).

• **Warning:** The joint MUST be sealed between the mounting surface (e.g., wall, ground, ceiling, etc.) and the fixture with an appropriate sealing /caulking compound to provide a watertight seal. Seal all conduit opening(s) and opening(s) from water entry. Before service ensure fixture is cool to touch. Always ensure that all gaskets and sealing surfaces are free of dirt and debris.

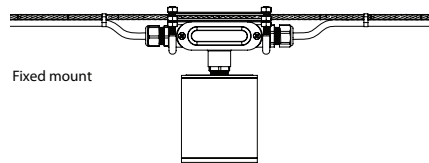
LED fixture(s), LED driver(s) and LED electrical components are more precise electrically than standard non LED products (e.g. Incandescent, Compact Fluorescent, H.I.D., etc.). Please follow the following guidelines/requirements when installing LED fixture(s)/LED driver(s).

1. Install LED fixture(s) and/or LED driver(s) only on their own circuit. Do not mix any other non LED products/fixtures (e.g., Incandescent, Compact Fluorescent, H.I.D., etc.) with LED fixture(s)/LED driver(s) on a single circuit.
2. Do not use any other electrical equipment (e.g., surge protectors, photocells, etc.) that is not (rated) for use with LED fixture(s)/LED driver(s) on the same circuit as LED fixture(s)/LED driver(s).
3. Use GFCI's (by others) on each circuit (per installation instructions) appropriate for the installation.
4. Install remote surge protector(s) (by others, goes on the circuit with nothing between the surge protector and the LED fixture(s)/ LED driver(s)), if the fixture is not already installed with a surge protector, to help remove power surges that may harm LED fixture(s), appropriate for the installation. Periodically check and make sure that your remote surge protector(s) are in good working order.
5. Keep fixture and lens free of dirt, debris (includes ice and snow).

Mounting styles

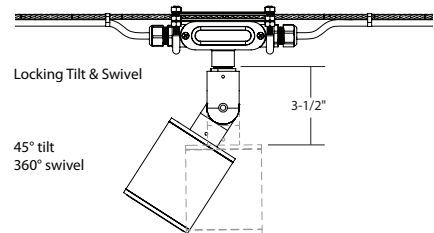
Direct

-DM



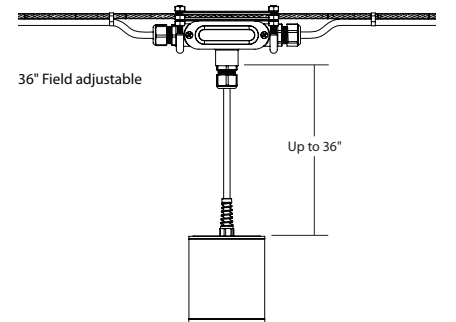
Adjustable

-ADJ

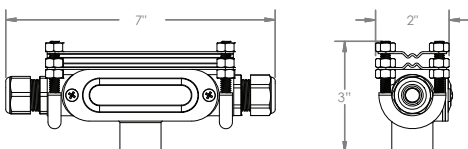


Pendant

-PD

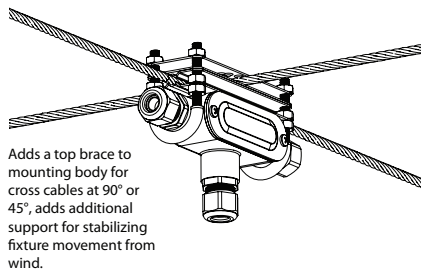


Catenary Mounting Body



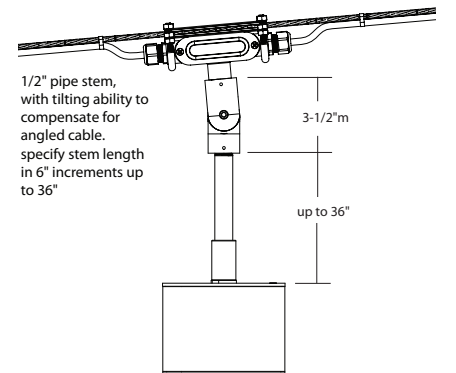
Cable Cross Brace

-CXB



Stem

-STM

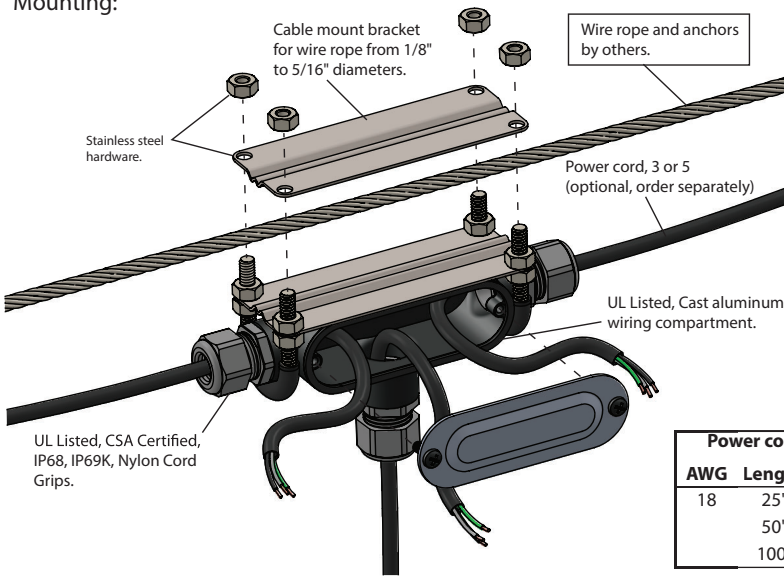


INSTALLATION INSTRUCTIONS FOR DLCT SERIES

CATALOG #: DLCT340, DLCTQ340, DL360

CEILING CATENARY DOWNLIGHT

Mounting:



Luminaires mount to a catenary mounting body constructed of cast aluminum. The catenary body is a U.L. listed wire way with an IP65 rating which uses stainless steel hardware to mount to wire rope by others.

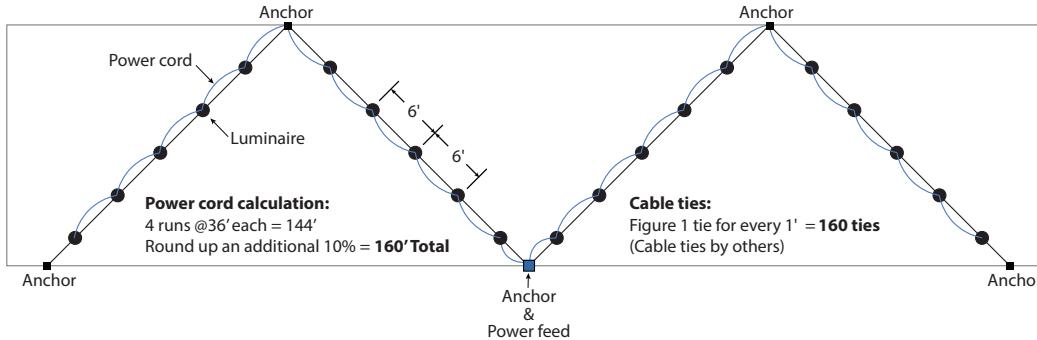
3 or 5 conductor SJTW power cord is available to order separately in 18 AWG. Determine overall run length required and add 10% to that length. Use approximately 1 cable tie per foot.

3 Conductor Power cord Enter feet
 18 AWG **CATB318C +** _____

For 0-10V dimming order: Enter feet
5 Conductor Power cord
 18 AWG **CATB518C +** _____

Power cord capacity		
AWG	Length	Max. AMP
18	25'	10
	50'	7
	100'	6

Example Layout:



One possible layout shown for calculation purposes. Consult with structural engineer for load requirements.