

CATALOG # : LCMPD5R with LCMPD-VR-5R 120V/277V 5" LumenPad with Vandal Resistant Cover "Mounting"

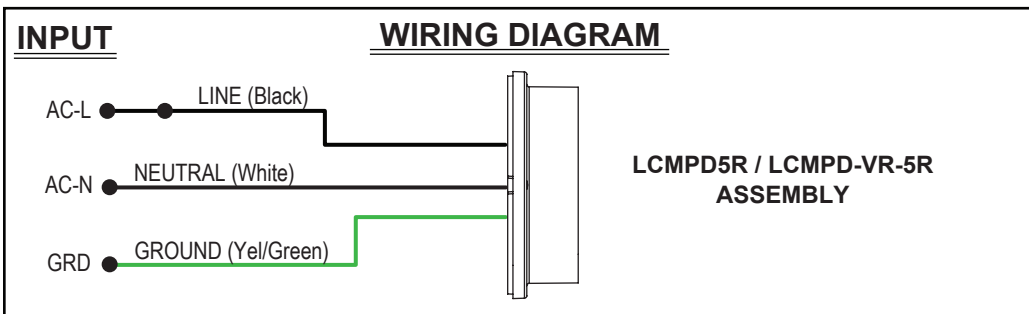
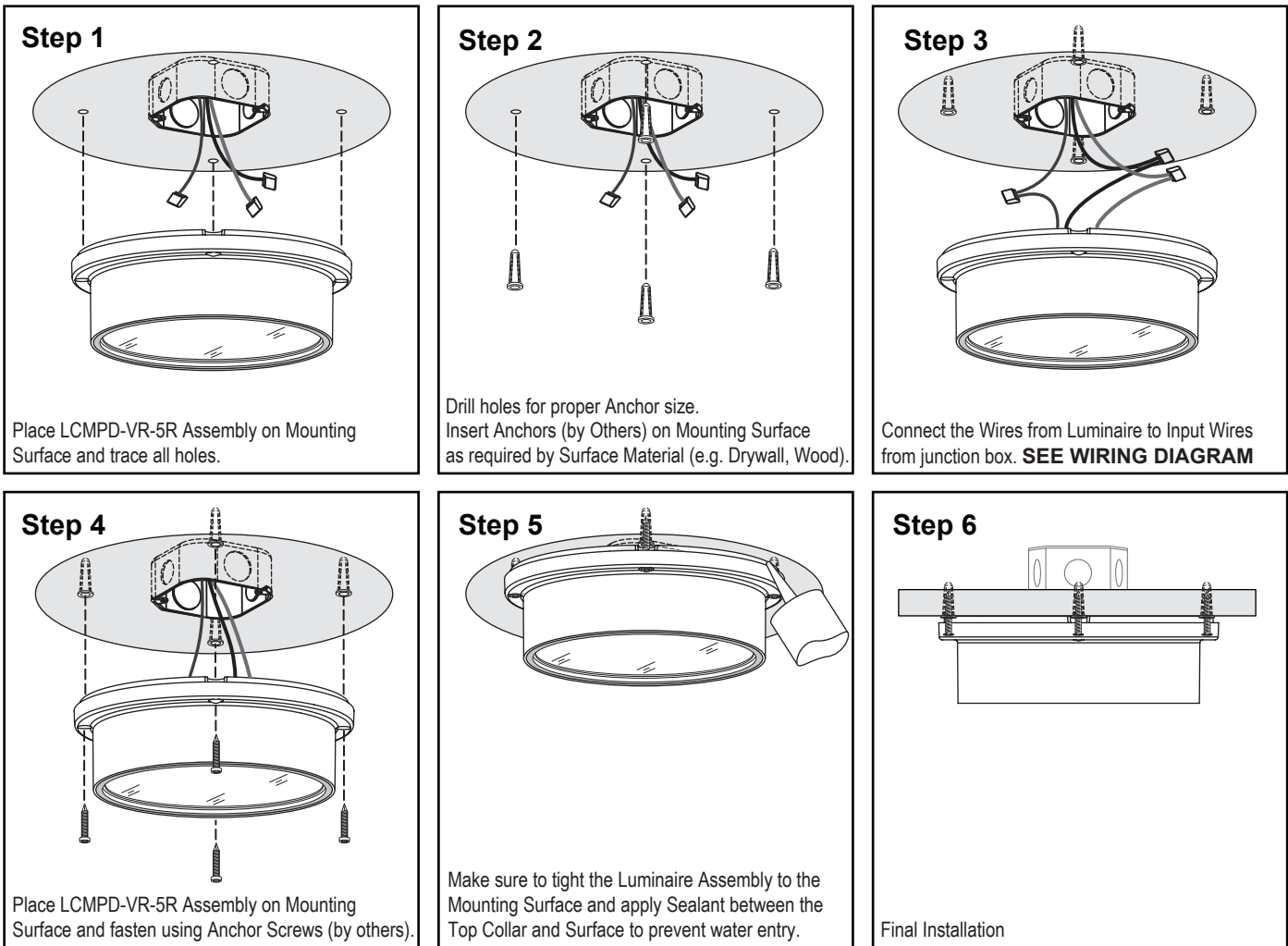
**CAUTION-** INSTALL AND USE THIS LUMINAIRE FOLLOWING YOUR LOCAL ELECTRICAL CODES AND REGULATIONS.

**PREPARATION:**

1). Read and understand instructions completely before installing this luminaire. If you are unfamiliar with electrical wiring have a qualified licensed electrician install this luminaire for you.

**ELECTRICAL CONNECTIONS:**

- 1). **WARNING-** Before starting the wire connections, disconnect the power by turning off the circuit breaker or removing the fuse at the fuse panel. Turning the power off using the light switch is not sufficient to prevent electrical shock.
- 2). This luminaire must be connected with supply wire rated at 90° C. Most dwellings built before 1985 have supply wire rated at 60° C; consult a qualified electrician before installing.



CATALOG # : LCMPD5R with LCMPD-VR-5R 120V/277V 5" LumenPad with Vandal & Tamper Resistant Cover "Mounting Kit"

**CAUTION-** INSTALL AND USE THIS LUMINAIRE FOLLOWING YOUR LOCAL ELECTRICAL CODES AND REGULATIONS.

### PREPARATION:

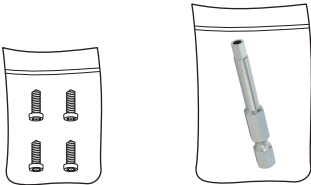
1). Read and understand instructions completely before installing this luminaire. If you are unfamiliar with electrical wiring have a qualified licensed electrician install this luminaire for you.

### ELECTRICAL CONNECTIONS:

1). **WARNING-** Before starting the wire connections, disconnect the power by turning off the circuit breaker or removing the fuse at the fuse panel. Turning the power off using the light switch is not sufficient to prevent electrical shock.

2). This luminaire must be connected with supply wire rated at 90° C. Most dwellings built before 1985 have supply wire rated at 60° C; consult a qualified electrician before installing.

#### Step 1

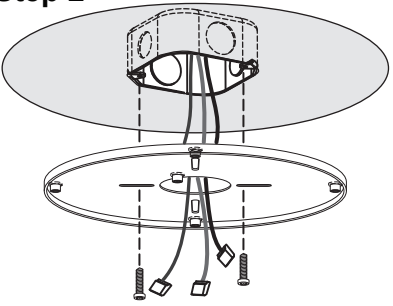


\*Stainless Steel Tamper-Resistant Button Head Hex Drive Screw

\*Tamper-Resistant Hex Drive Bit

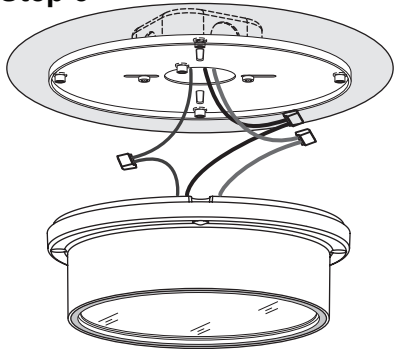
\*Optional LCMPD-VR-5R Tamper-Resistant Mounting Kit

#### Step 2



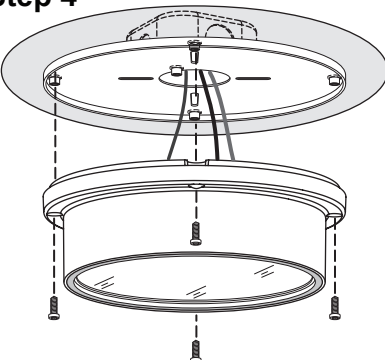
Install the LCMPD-VR-5R Mounting Gear on the J-Box using the Screws (by others).

#### Step 3



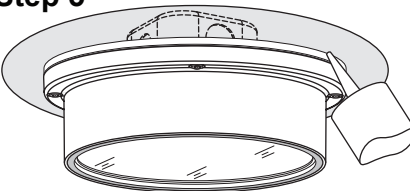
Connect the Wires from Luminaire to Input Wires from junction box. **SEE WIRING DIAGRAM**

#### Step 4



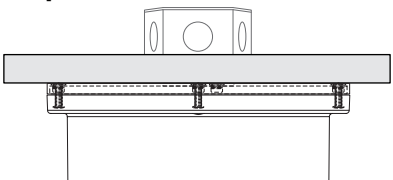
Install LCMPD-VR-5R Assembly on Mounting Surface, align the holes to the Gear Inserts and fasten using the Screws (provided).

#### Step 5



Make sure to tight the Luminaire Assembly to the Mounting Gear and apply Sealant between the Top Gear and Surface to prevent water entry.

#### Step 6



Final Installation

