

Figure A

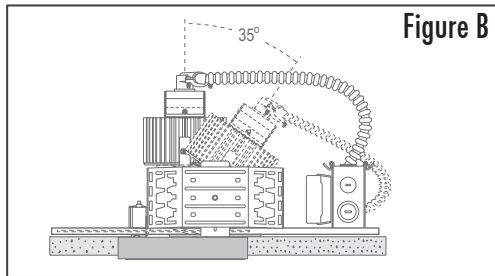


Figure B

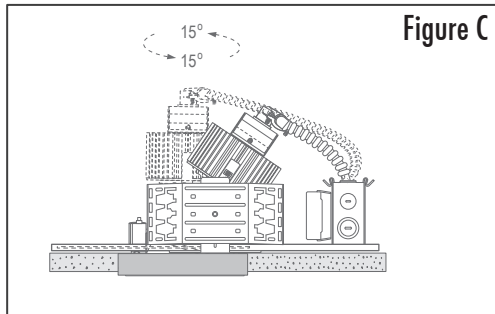


Figure C

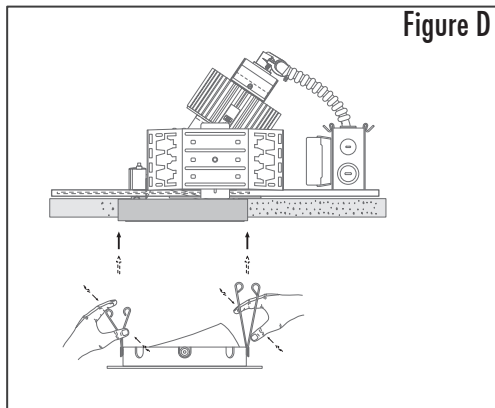
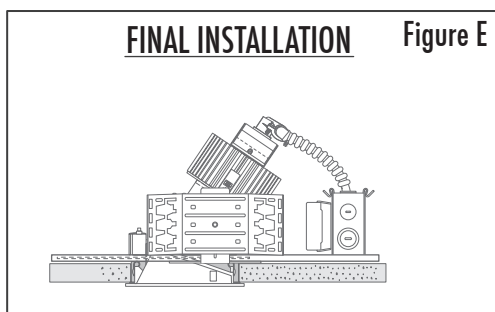


Figure D



FINAL INSTALLATION

Figure E

**CAUTION- INSTALL AND USE THIS LUMINAIRE FOLLOWING YOUR LOCAL ELECTRICAL CODES AND REGULATIONS.**

**-- READ ALL INSTRUCTIONS**

Do not install any luminaire assembly closer than 6" from any curtain, or similar combustible material.

### PREPARATION:

1). Read and understand instructions completely before installing this luminaire. If you are unfamiliar with electrical wiring have a qualified licensed electrician install this luminaire for you.

### **CAUTION!**

Ceiling insulation must be kept a minimum of 3" away from the sides of the NON-IC housing. No insulation allowed on the top. Install housing at a minimum of 1/2" away from combustible material such as wooden ceiling joists, sub-flooring or roofing.

### ELECTRICAL CONNECTIONS:

- 1). **WARNING-** Before starting the wire connections, disconnect the power by turning off the circuit breaker or removing the fuse at the fuse panel. Turning the power off using the light switch is not sufficient to prevent electrical shock.
- 2). This luminaire must be connected with supply wire rated at 90° C. Most dwellings built before 1985 have supply wire rated at 60° C; consult a qualified electrician before installing.

### INSTALL FRAME:

- 1). (see FIG. A).

### ADJUST LED ANGLE:

- 2). (see FIG. B).

### ROTATE LED DIRECTION:

- 1). (see FIG. C).

### INSTALL TRIM:

- 1). (see FIG. D).
- 2). (see FIG. E).