

2" LED RECESSED LUMINAIRE

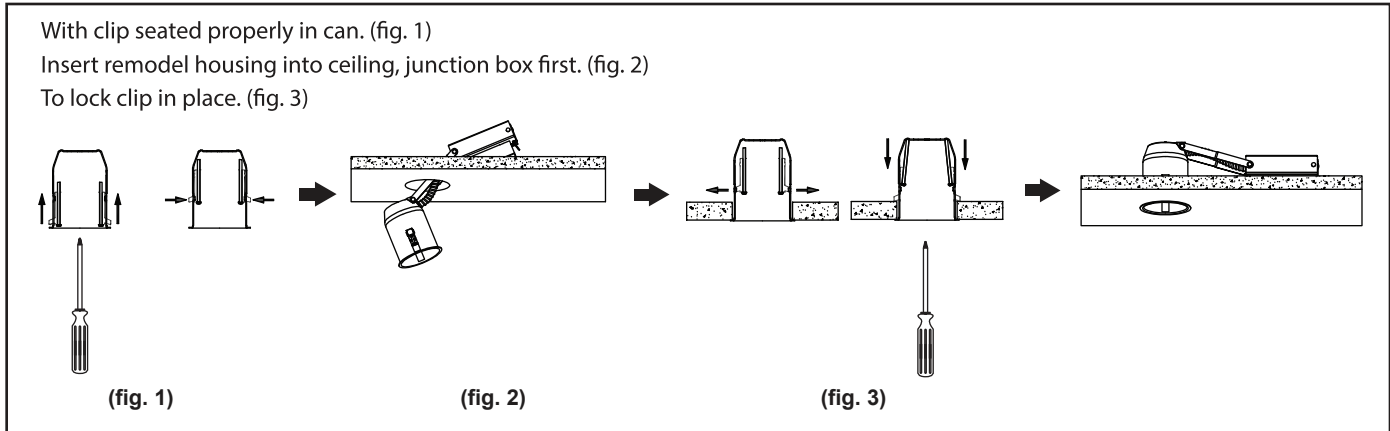
Remodel

1) ELECTRICAL CONNECTION

Pull supply wire through opening and make electrical connections. Refer to "electrical connections" section.

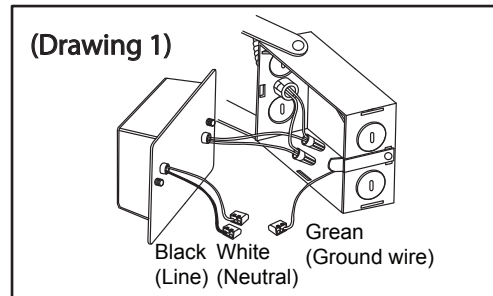
2) INSERT THE HOUSING

Insert the housing in ceiling cutout as illustrated.

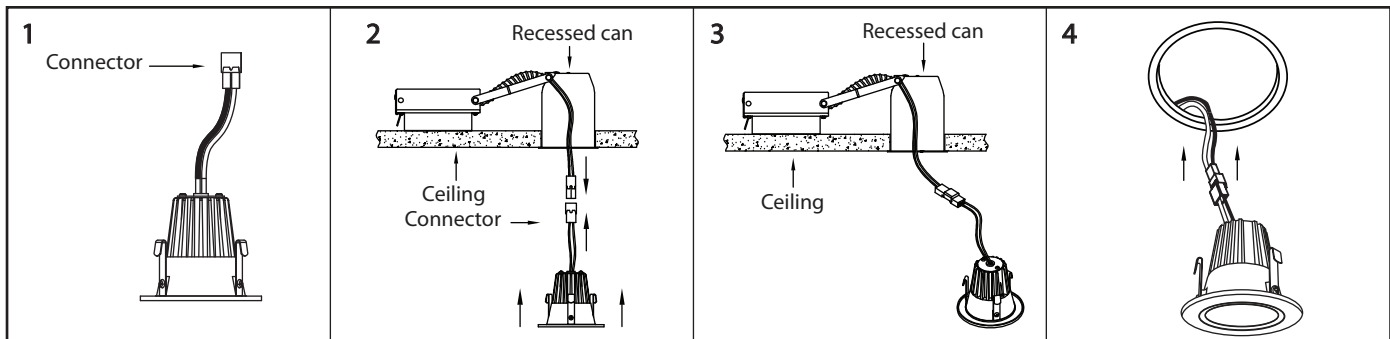


2) ELECTRICAL CONNECTION

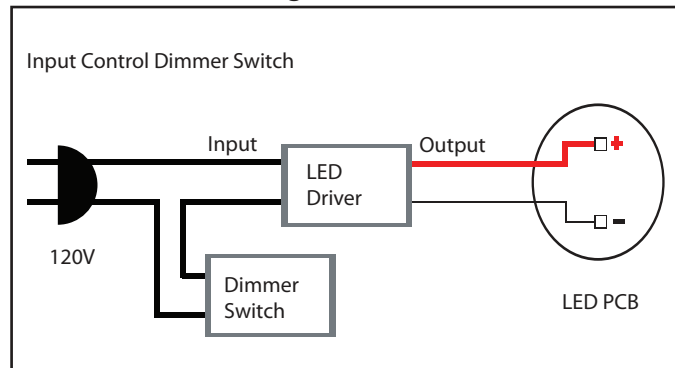
Housings with LED driver Junction box contains two wires. A black(hot+) and a white (neutral-) which must be spliced to the house current feed wire. Make sure to splice white to white and colored or black to black. After splicing has been completed, tuck splices carefully into junction box and replace cover. 4 cubic-inch for a maximum of (4) #12 AWG wires. (2) 1/4" Romex knock-outs. Remove covers for easy access and ground wire. For 1/2" Pipe or Flex-Conduit (LITON# PCT031) Fitting Adaptor should be used. (Drawing 1)



Trim Installation



Dimmer Switch Wiring



LIST OF COMPATIBLE DIMMERS:

Mfgr	Model #	Dimming Rate
COOPER	DLC03P	10 - 100%
Leviton	1A1505 / 1A3306	10 - 100%
Leviton	1C1605 / 1G1306	10 - 100%
Leviton	1K2306 / 6631 / 6633	10 - 100%
Lutron	CT-603PG / CT-600PR-LA	10 - 100%
Lutron	CT-600PR-IV / CT-600PR-WH	10 - 100%
Lutron	DV-600PR / DV603PG	10 - 100%
Lutron	DVW-603PGH-WH / DVCL-153P	10 - 100%
Lutron	MACL-153M / TGCL-153P	10 - 100%
Lutron	S-600PR-WH / S-2-LH	10 - 100%