

CATALOG # : LCALD6" SURFACE MOUNT LUMEN CANNON with LPTM4

SAVE THESE INSTRUCTIONS

Keep these instructions in a safe place for future use/reference.

Important: Please read and understand all instructions completely before installing this fixture.

WARNING: Fixture installation (and use) and all electrical connections must be in accordance with local and National Electrical Codes (N.E.C.) rules, regulations and standards. If you are unfamiliar with installing fixture(s), accessories and/or electrical wiring have a qualified licensed electrician install this fixture for you. Fixture should be installed by a qualified electrician.

WARNING: RISK OF SHOCK. House electric current can cause painful shock or serious injury.

WARNING: Always disconnect power before fixture installation, wiring, or maintenance.

WARNING: Before starting the wire connections, disconnect the power by turning off the circuit breaker or removing the fuse at the fuse panel. Turning the power off using the light switch is not sufficient to prevent electrical shock.

This luminaire must be connected with supply wire/conductors rated at 90°C. Most dwellings built before 1985 have supply wire rated at 60°C; consult a qualified electrician before installing.

WARNING: Before service insure fixture is cool to touch.

WARNING: Check fixture for input voltage before connecting power to fixture.

WARNING: RISK OF SHOCK. This fixture is suitable for dry and damp locations. Also for use with covered ceiling mount.

WARNING: Do not install any fixture or assembly (etc.) closer than 6" from any curtain, or similar combustible material.

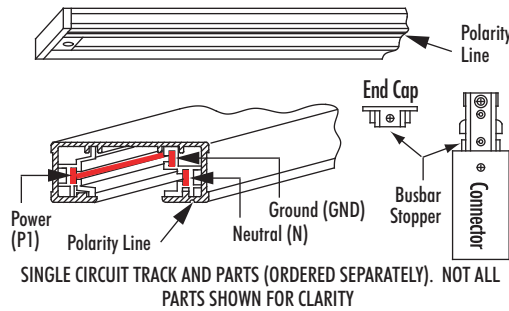
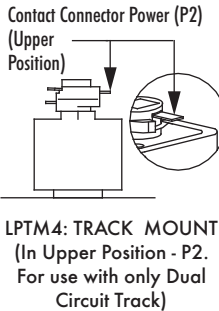
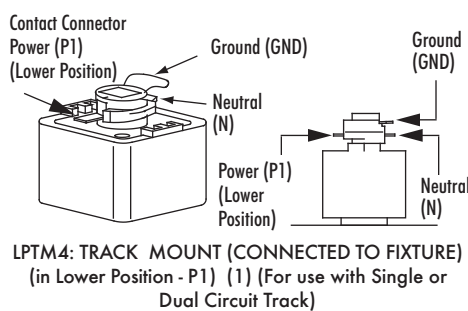
Fixture must be installed on a circuit protected by Ground Fault Circuit Interrupter (GFCI).

Install LED fixture(s)/LED driver(s) only on their own circuit. Do not mix any other products (Incandescent, Compact Fluorescent, H.I.D. products/fixtures, etc...) with LED fixture(s)/LED driver(s) on a single circuit.

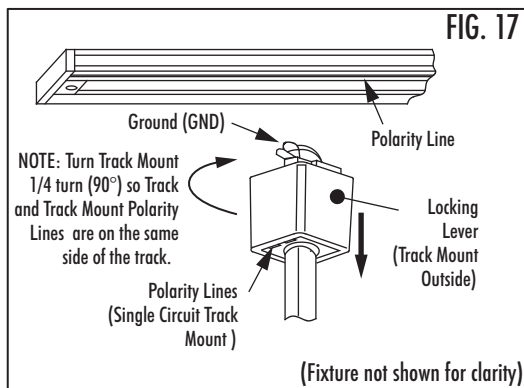
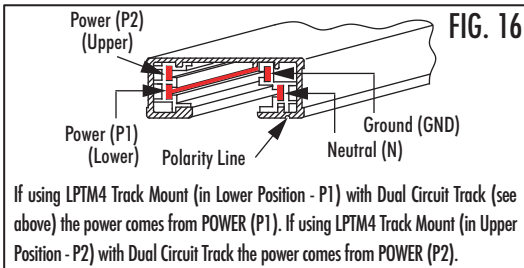
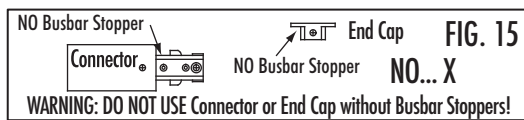
Do not use any other electrical equipment (example: surge protector, photocell, etc.) that is not (rated) for use with LED fixture(s)/LED driver(s) on the same circuit as LED fixture(s)/LED driver(s).

Components / Parts (Single Circuit Track only)

Tools Required



- No tools required.
- For single and dual circuit track parts installation see Track Installation instructions.



FIXTURE INSTALLATION

WARNING: Use only Liton Track parts (see above and FIG. 16) with LPTM4 Track Mount (connected to fixture). Do not use Liton Track LPTM4 Track Mount with any other manufacturers track (system, parts, etc.).

WARNING: To avoid the potential risk of fire and shorting, you should not under any circumstances use the connectors and end cap without Busbar Stoppers! (see FIG. 15).

WARNING: Always disconnect power before fixture installation, wiring, or maintenance.

1. Install Liton's Track as per Track Installation Instructions.
2. Note which Liton track type is installed, Single Circuit Track (see above) or Dual Circuit Track (see FIG. 16).

CAUTION: Before Installing Track Head, make sure power contact conductor is in the right position!

3. If using Single Circuit Track (see above) make sure the Track Mount "Power" contact connector location is in the Lower Position - P1 (see above left). If using Dual Circuit Track (see FIG. 16) make sure the Track Mount "Power" contact connector location is in the 1) Lower position - P1 (see above left) for the Track "P1" lower circuit or in the 2) Upper position - P2 for the Track P2 upper circuit (see above and FIG. 16). As needed push up or down on the Track Mount "Power" contact connector to put connector in the P1 or P2 position. For the Dual Circuit Track each circuit is rated for 2400 Wattas and will allow you to control two individual sets of fixtures.
4. Locate Polarity line on the Track and Track Mount. The Track Mount Polarity Lines are on the same side as the Ground connector tab (see FIG. 17).
5. Pull down on the locking lever and insert the Adapter Contacts in the track slot (see FIG. 17). Insert LPTM Track Mount in Liton Single or Dual Circuit Track.
6. Rotate adapter one quarter (1/4) turn (90 degrees) so that the Track Mount Polarity Lines are on the same side of the track as the Track polarity line (see FIG.17) and locking lever locks back in place. Do NOT rotate Track Mount Polarity Lines on the opposite side of the track. Make sure track lock in place.
7. To remove fixture pull down on the locking lever and rotate 1/4 turn (90 degrees).

06272017