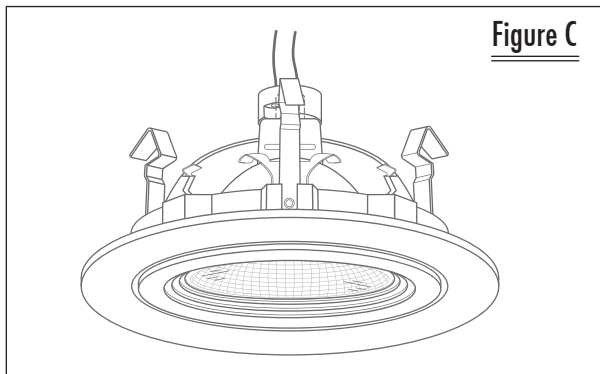
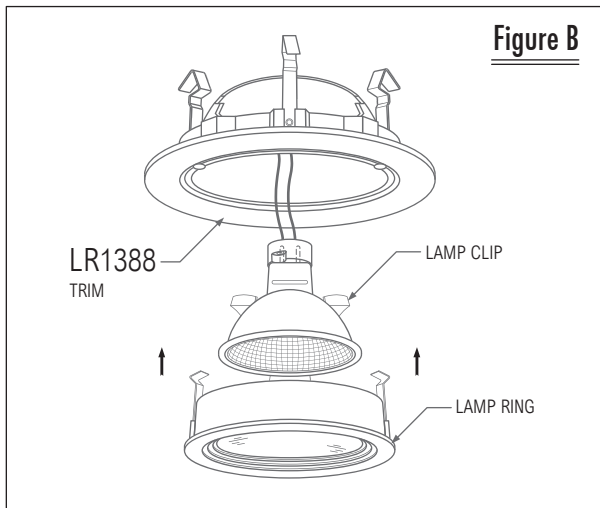
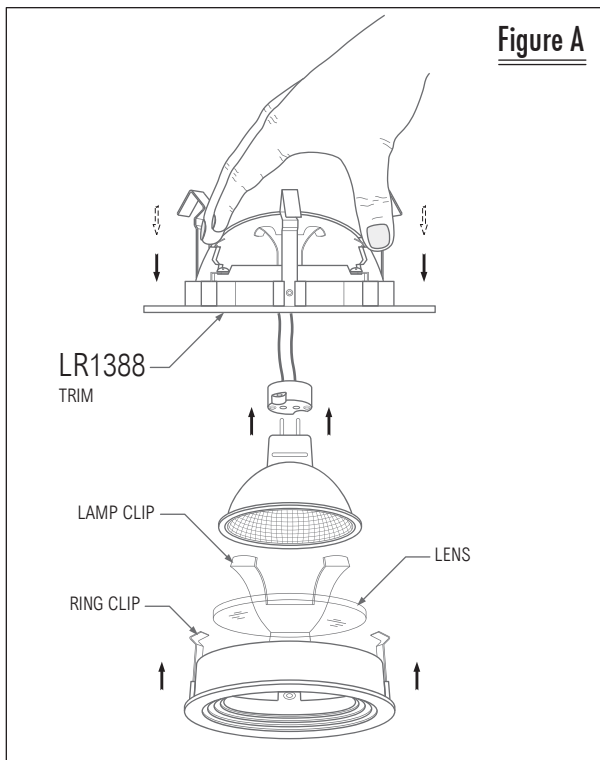


## IMPORTANT SAFETY INSTALLATION INSTRUCTIONS

CATALOG # : LR1388 - Installing the Lamp

SAVE THESE INSTRUCTIONS



**CAUTION-** INSTALL AND USE THIS LUMINAIRE FOLLOWING YOUR LOCAL ELECTRICAL CODES AND REGULATIONS.

- READ ALL INSTRUCTIONS

Do not install any luminaire assembly closer than 6" from any curtain, or similar combustible material.

**PREPARATION:**

1). Read and understand instructions completely before installing this luminaire. If you are unfamiliar with electrical wiring have a qualified licensed electrician install this luminaire for you.

**CAUTION!**

Ceiling insulation must be kept a minimum of 3" away from the sides of the NON-IC housing. No insulation allowed on the top. Install housing at a minimum of 1/2" away from combustible material such as wooden ceiling joists, sub-flooring or roofing.

**ELECTRICAL CONNECTIONS:**

- 1). **WARNING-** Before starting the wire connections, disconnect the power by turning off the circuit breaker or removing the fuse at the fuse panel. Turning the power off using the light switch is not sufficient to prevent electrical shock.
- 2). This luminaire must be connected with supply wire rated at 90 C. Most dwellings built before 1985 have supply wire rated at 60 C; consult a qualified electrician before installing.
- 3). Connect the power source to the luminaire junction box. Connect the black wire to the black wire of the power source, the white wire to the white wire of the power source and Connect the green ground wire to the green ground wire of the power source using twist type wire connectors (by others) suitable for the size, type and number of wires.
- 4). After completing the wiring (be sure the wires are placed within the wiring box), snap wiring box cover closed.

**TO INSTALL LAMP:**

- 1). Remove the lamp "Ring" from the trim, by pushing the ring clip (see FIG. A). Make sure lens is in place and select proper lamp, DO NOT EXCEED MAXIMUM WATTAGE for the lamp shown on the housing label.
- 2). It is recommended that do not handle the light bulb with bare-hands, (use a dry cloth to install it). To install the light bulb, insert the base pins into the slots of lamp holder and gentle slide it into the lamp clip, (see FIG. A and FIG. B).

**INSTALLING THE LAMP RING:**

- 1). Place the lamp ring into trim cavity by pushing until the pressure clip will hold it in place, (see FIG. B and FIG. C).