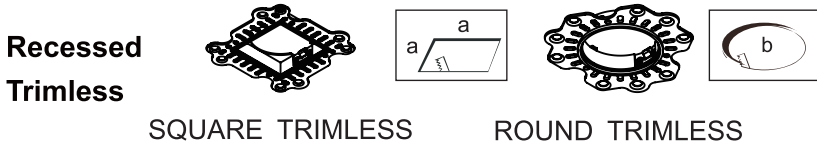


INSTALLATION INSTRUCTIONS

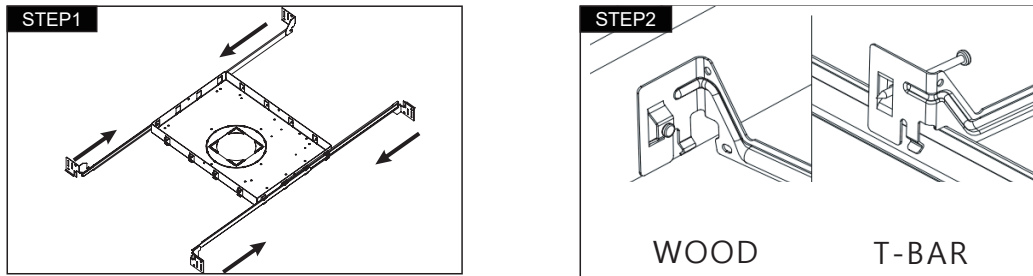
1. The fixture is for LED.
2. Before installation, make sure that the power supply is off.
3. Follow the steps as shown below for installation.
4. After finishing every step, tighten the screws, have the fixture fixed, then connect the power supply.
5. It is recommended that these products are installed by a qualified electrician.
6. The light source in this luminaire should be replaced by the manufacturer or its service agent or similarly qualified person.
7. Under no circumstances should the luminaire be covered by thermal insulation pads and similar materials.
8. Install per national installation and accident prevention regulations.

	LRXLD26	LRXLD35
a	3-1/8" 80mm	3-15/16" 100mm
b	3-1/8" 80mm	3-15/16" 100mm

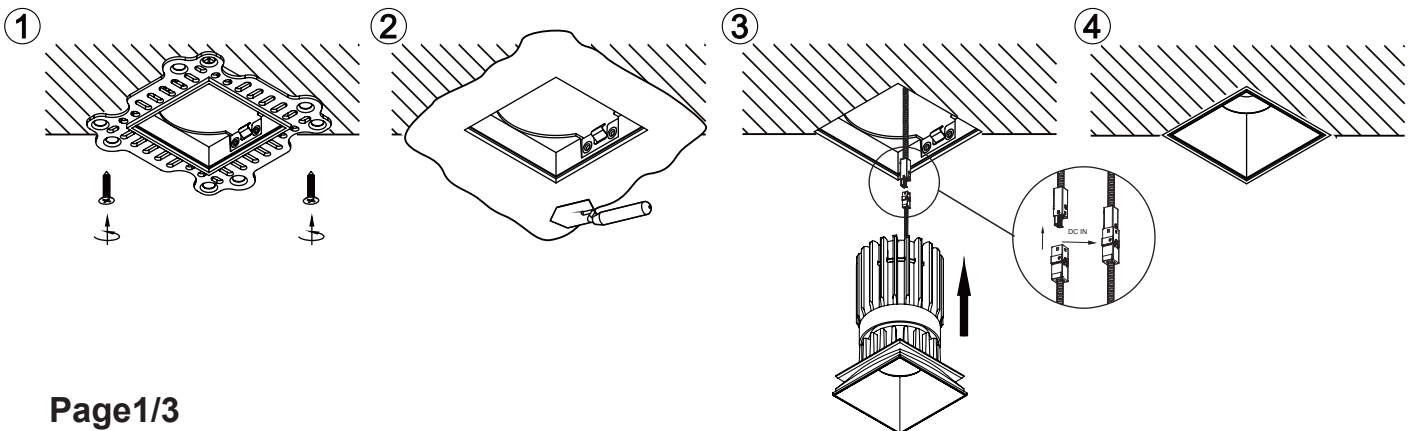
- The ceiling needs to be prepared with a larger hole cut above a smaller hole to create the timeless effect.
- One method is to cut the larger hole in the ceiling and the smaller hole in the laminate and place the laminate over the hole on the ceiling.
- Another method is to cut the smaller hole and create a larger space above it using a router
- Thickness of material around small Thru-Hole must be 1/4 Inch.



NON IC Installation:



Recessed Trimless



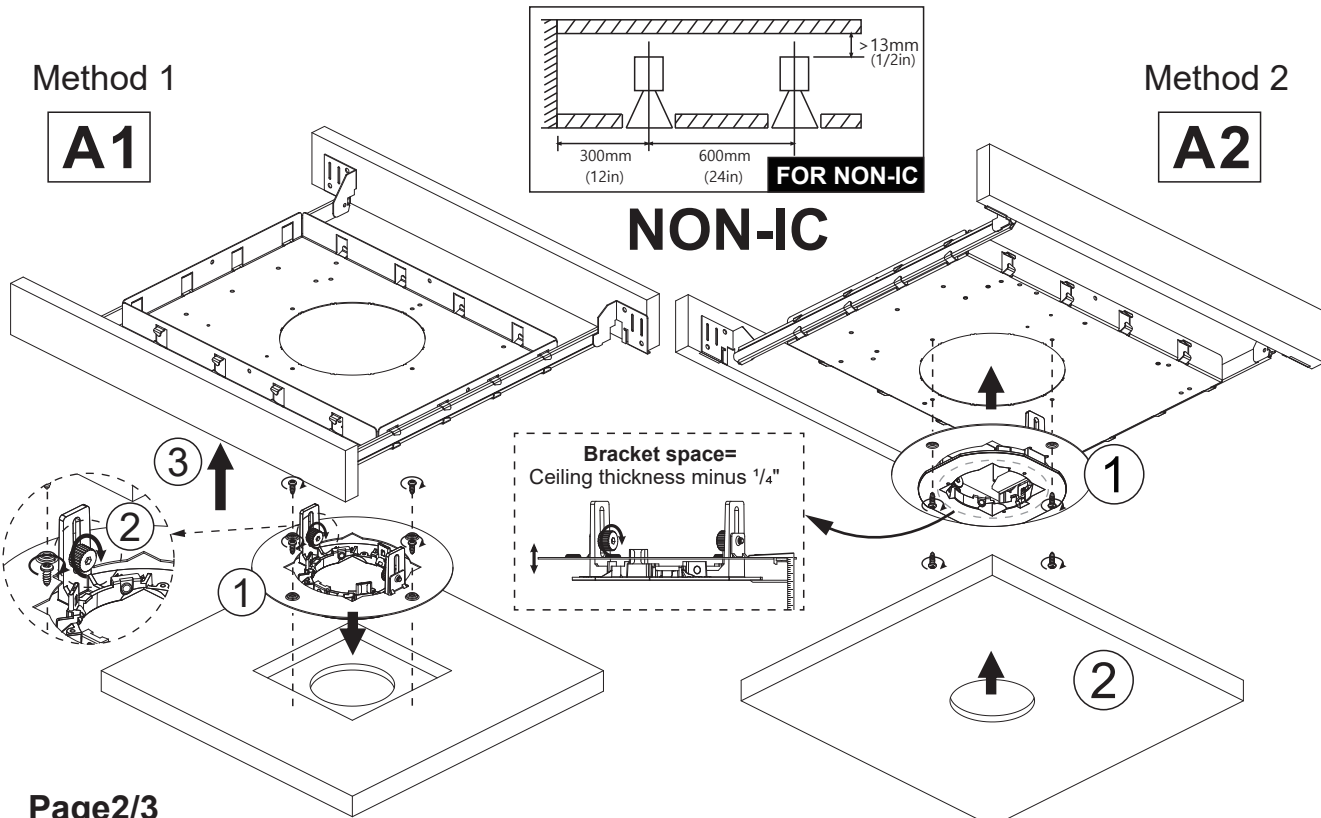
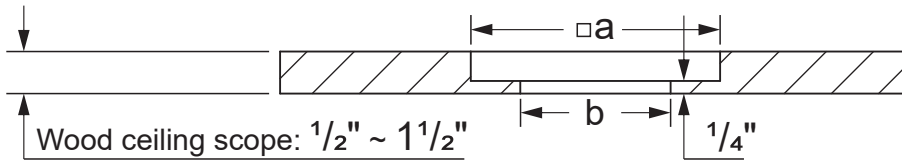
INSTALLATION INSTRUCTIONS

1. The fixture is for LED.
2. Before installation, make sure that the power supply is off.
3. Follow the steps as shown below for installation.
4. After finishing every step, tighten the screws, have the fixture fixed, then connect the power supply.
5. It is recommended that these products are installed by a qualified electrician.
6. The light source in this luminaire should be replaced by the manufacturer or its service agent or similarly qualified person.
7. Under no circumstances should the luminaire be covered by thermal insulation pads and similar materials.
8. Install per national installation and accident prevention regulations.

WOOD INSTALLATION

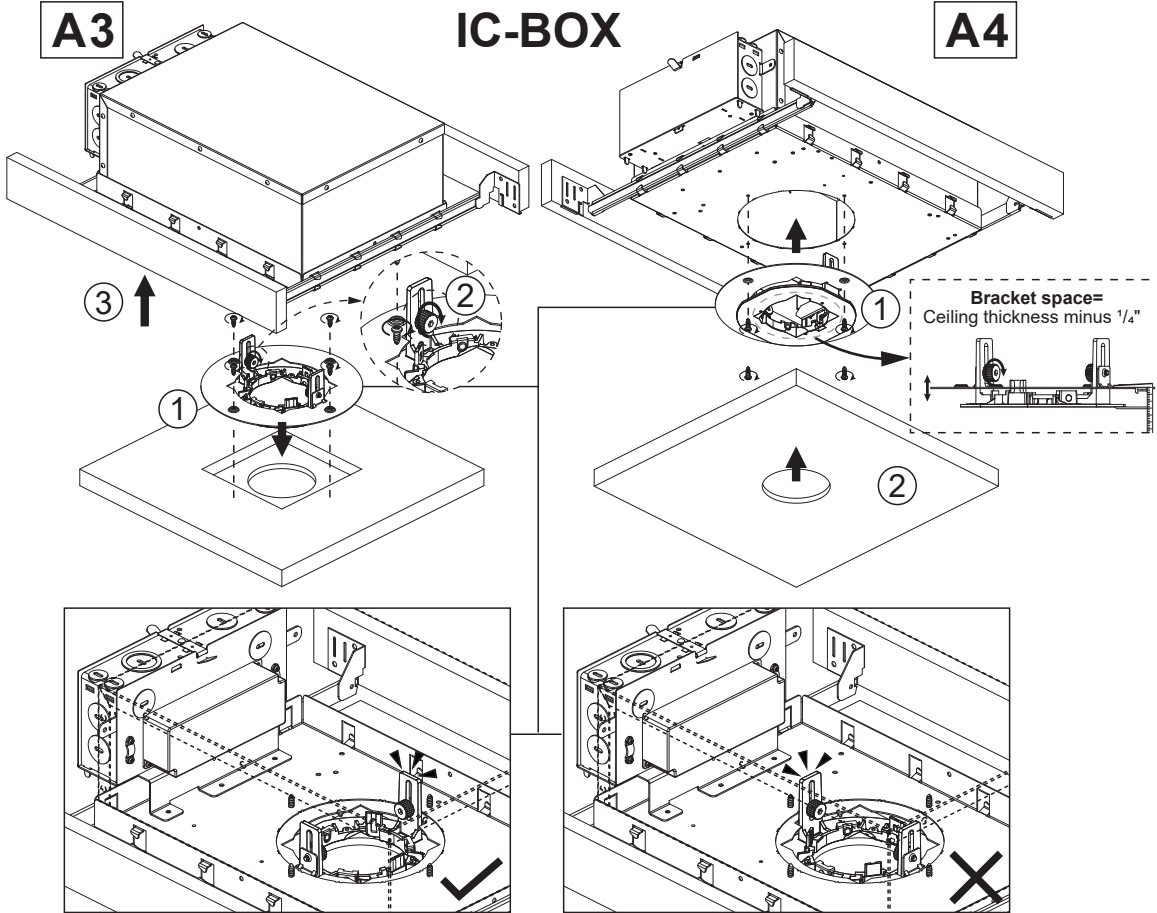
	LRXLD2619, LRXLD2619J, LRXLD2621, LRXLD2621J, LRXLD2673, LRXLDQ2619, LRXLDQ2619J, LRXLDQ2621, LRXLDQ2621J, LRXLDQ2673	LRXLD3519, LRXLD3519J, LRXLD3521, LRXLD3521J, LRXLD3573, LRXLDQ3519, LRXLDQ3519J, LRXLDQ3521, LRXLDQ3521J, LRXLDQ3573
a	4 11/16" x 4 11/16" 119mm x 119mm	5 1/4" x 5 1/4" 133mm x 133mm
b (round)	Φ 2 13/16" Φ 71mm	Φ 3 9/16" Φ 91mm
b (square)	2 13/16" x 2 13/16" 71mm x 71mm	3 9/16" x 3 9/16" 91mm x 91mm

- The ceiling needs to be prepared with a larger hole cut above a smaller hole to create the timeless effect.
- One method is to cut the larger hole in the ceiling and the smaller hole in the laminate and place the laminate over the hole on the ceiling.
- Another method is to cut the smaller hole and create a larger space above it using a router
- Thickness of material around small Thru-Hole must be 1/4 Inch.



Method 1

Method 2



B

FINISH

