

**READ AND UNDERSTAND THESE INSTRUCTIONS  
BEFORE INSTALLING FIXTURE!**

### Installation Instructions for LWM312-LWM372 Wall Light

**CAUTION - INSTALL AND USE THIS LUMINAIRE FOLLOWING YOUR LOCAL ELECTRICAL CODES AND REGULATIONS.**

**PREPARATION:**

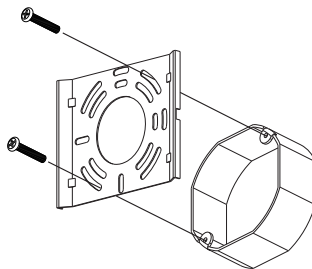
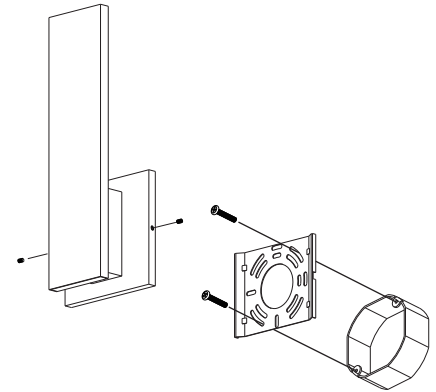
1) Read and understand instructions completely before installing this luminaire. If you are unfamiliar with electrical wiring have a qualified licensed electrician install this luminaire for you.

**ELECTRICAL CONNECTIONS:**

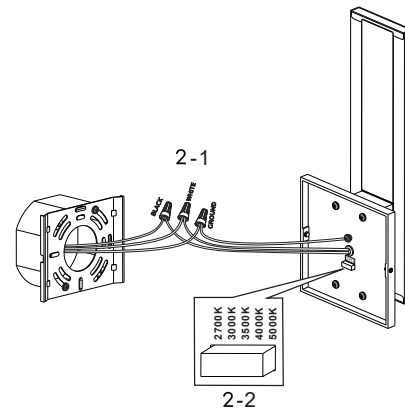
**WARNING:**

1) Before starting the wire connections, disconnect the power by turning off the circuit breaker or removing the fuse at the fuse panel. Turning the power off using the light switch is not sufficient to prevent electrical shock.

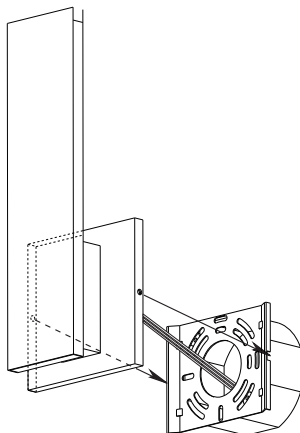
2) This luminaire must be connected with supply wire rated at 90° C. Most dwellings built before 1985 have supply wire rated at 60° C; consult a qualified electrician before installing.



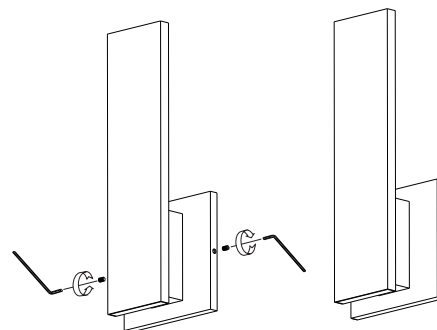
**1.** Prior to installation, install the mounting plate (included) into the electrical box with mounting screws (included). Drive screws completely to the end of the junction box.



**2.1** Connect supply wires to wires on fixture with wire nuts (included). Connect white to white, black to black, and copper wire to green wire as a grounding connection.  
**2.2** Determine the color temperature desired for the LED light source and adjust the switch to the correct setting when light is turned off.



**3.** Put the wall sconce over the mounting plate and match the mounting holes on the plate and the sconce.



**4.** Drive screws completely to secure and complete installation.

2025.06.23