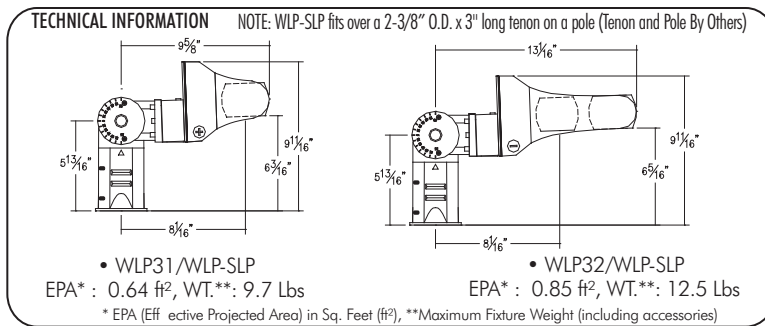


**CATALOG # : WLP-SLP (for use with WLP31 and WLP32)**

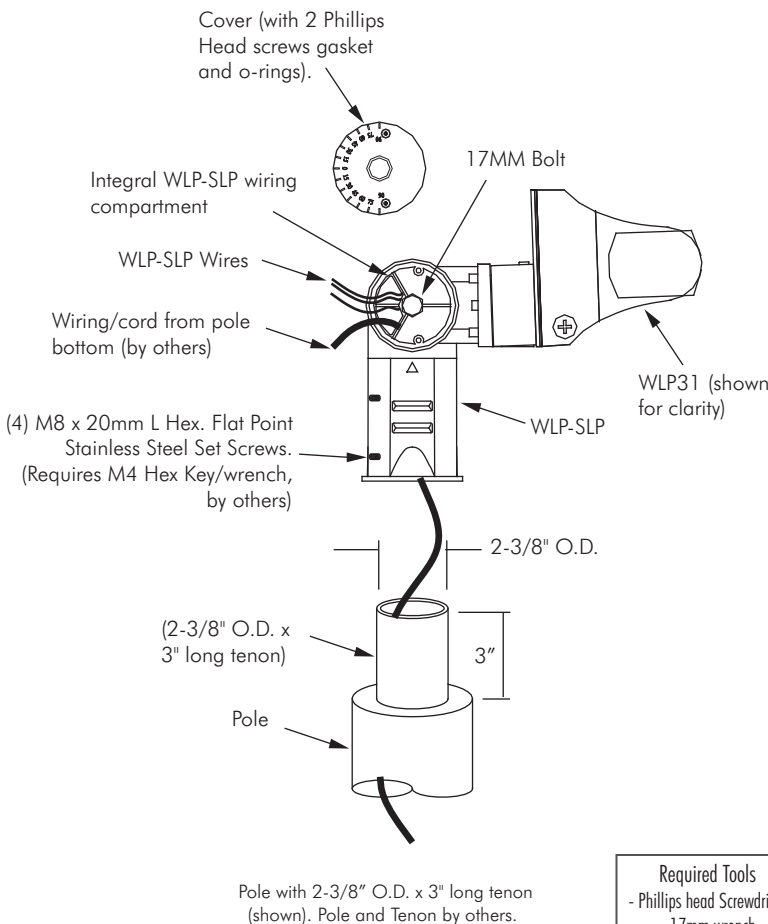
- **Danger:** Always disconnect power before wiring, or maintenance. Fixture must be installed by a qualified electrician. Fixture must always be installed according to local and national electrical codes, rules & regulations. Fixture must be installed on a circuit protected by Ground Fault Circuit Interrupter (GFCI).
  - **Warning:** Seal all conduit opening(s) and opening(s) from water entry. Before service ensure fixture is cool to touch. Always ensure that all gaskets and sealing surfaces are free of dirt and debris.
- WARNING: RISK OF SHOCK.** Check fixture for input voltage before connecting power to fixture.  
This fixture is suitable for dry, damp and wet locations. Also for use with poured concrete.

LED fixture(s), LED driver(s) and LED electrical components are more precise electrically than standard non LED products (e.g. Incandescent, Compact Fluorescent, H.I.D., etc.). Please follow the following guidelines/requirements when installing LED fixture(s)/LED driver(s).

1. Install LED fixture(s) and/or LED driver(s) only on their own circuit. Do not mix any other non LED products/fixtures (e.g., Incandescent, Compact Fluorescent, H.I.D., etc.) with LED fixture(s)/LED driver(s) on a single circuit.
2. Do not use any other electrical equipment (e.g., surge protectors, photocells, etc.) that is not (rated) for use with LED fixture(s)/LED driver(s) on the same circuit as LED fixture(s)/LED driver(s).
3. Use GFCI's (by others) on each circuit (per installation instructions) appropriate for the installation.
4. Install remote surge protector(s) (by others, goes on the circuit with nothing between the surge protector and the LED fixture(s)/LED driver(s) ), if the fixture is not already installed with a surge protector, to help remove power surges that may harm LED fixture(s), appropriate for the installation. Periodically check and make sure that your remote surge protector(s) are in good working order.



**WLP-SLP Dextero Pole Tenon Slip Fitter (with fixture)**



- Required Tools**
- Phillips head Screwdriver
  - 17mm wrench
  - M4 allen key

**Fixture Installation:**

**Warning: Always disconnect power before wiring, or maintenance. Do Not Use power tools when installing the WLP-SLP with fixture (WLP-SLP - e.g. WLP31/WLP-SLP or WLP32/WLP-SLP).**

The WLP-SLP with fixture attached (WLP-SLP) fits over a 2-3/8" O.D. x 3" long (minimum) tenon on a pole (shown left), pole arm, post (etc, all by others) and is secured by four (4) tamper resistant, stainless steel socket set screws (requires M4 Allen key, not included). The WLP-SLP has a field adjustable swivel with locking teeth (and gasket), internal wiring compartment and a cover with gaskets (see left).

1. Make sure supply wiring and pole (not included) is in place before securing WLP-SLP to pole tenon.
2. Loosen the four (4) set screws at base of WLP-SLP (as needed) using an M4 allen key (by others).
3. A 2-3/8" O.D x 3" long tenon (by others, see left) on a (shown left), pole arm, post (etc, all by others) is required to mount the WLP-SLP to the tenon. Determine which size tenon you are using before continuing to install WLP-SLP.
4. Loosen screws on WLP-SLP cover and remove cover (with screws, o-rings and gasket).
5. Connect the supply wiring to the WLP-SLP from the bottom of the pole. See "Wiring" instructions below.
6. Loosen (but do not remove) the 17MM bolt with hand tools and adjust the fixture to the desired position (e.g. : Horizontal to the ground at 90 degrees as shown left). The swivel can be adjusted up 90 degrees from horizontal (see left). Tighten 17MM bolt back on the swivel to create a water tight seal.. Do not over tighten.
7. Replace Cover (with screws, o-rings and gasket) and tighten securely to create a water tight seal.
8. Slide WLP-SLP over a 2-3/8" O.D. x 3" long tenon (see left).
9. Tighten all four (4) set screws with an M4 allen key (by others) until fixture is securely in place. Do not over tighten. Do not use power tools.

**Wiring:**

**WARNING: Check fixture for input voltage before connecting power to fixture.**  
NOTE: Check the WLP-SLP fixture for input voltage in cover before connecting power to WLP-SLP wires. For dimming information (wiring diagrams, chart, etc.) see fixtures website page(s).

1. Use one (1) set of conductors/outdoor rated cord from the bottom of the pole to connect power to the fixture wires in the WLP-SLP integral wiring compartment (see left). Make all other connections (e.g.: through connections, daisy chain, etc...) are at the base of the pole.
  2. Connect ground wire (green or bare copper/aluminum) from the supply circuit to the ground wire (green or bare copper) /screw/connector from the luminaire.
  3. Connect the neutral (common) wire from the power supply to the neutral wire from the luminaire.
  4. Connect the main voltage supply wire (line/lead) from the power supply to the line (lead) wire from the luminaire.
  5. Connect any other dimming wires accordingly (for dimming information (wiring diagrams, chart, etc.) see fixtures website page(s) ).
  4. Secure connection using UL Listed wire nuts/connectors and then with UL Listed Electrical tape (by others), as required, appropriate for the connection.
- A separate remote water resistant box, cord and water resistant connectors (all by others, depending on installation) may be needed (depending on your application) to connect power supply to WLP-SLP (in pole).