

**READ AND UNDERSTAND THESE INSTRUCTIONS
BEFORE INSTALLING FIXTURE!**

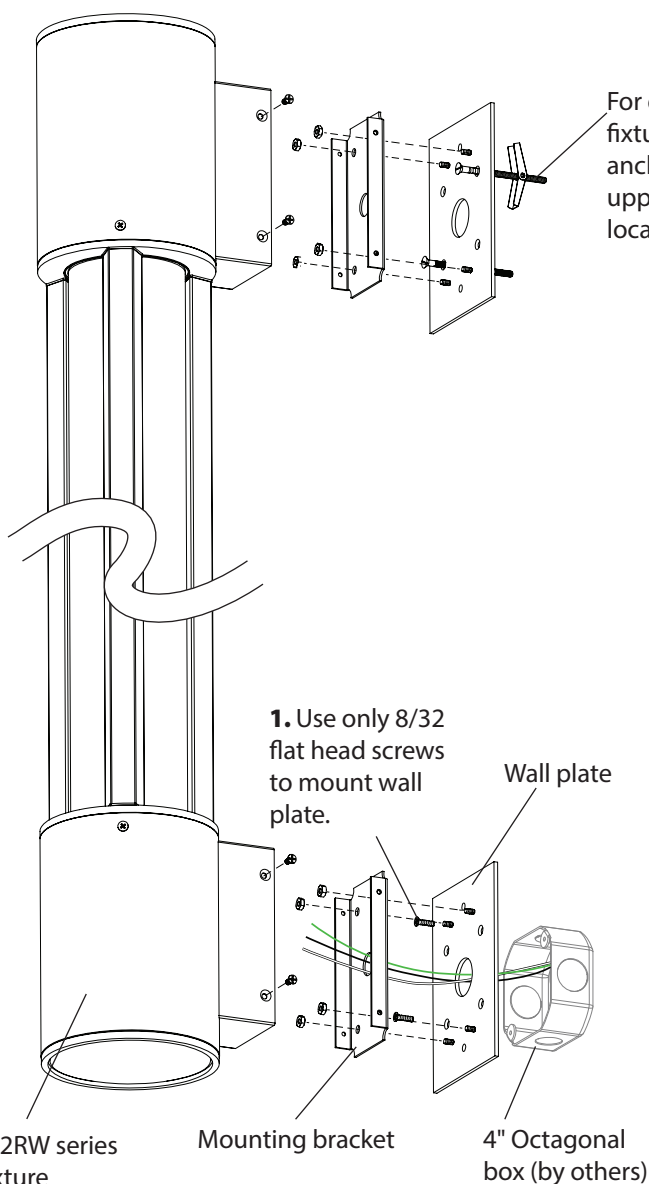
Installation Instructions for WD261R Series

NOTE: Do not use power tools to remove or reinstall screws. Use only hand tools to tighten!

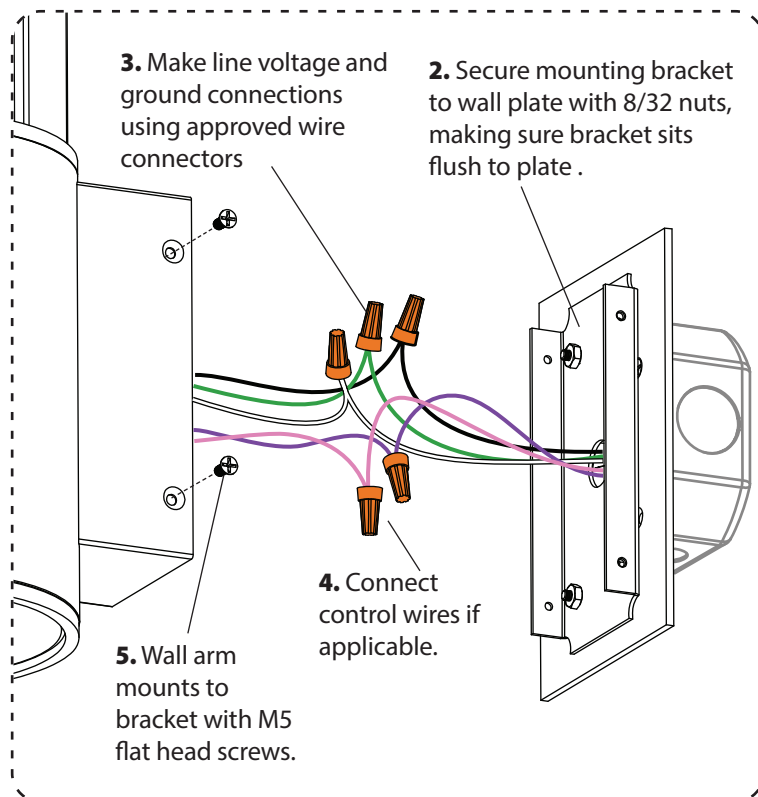
DANGER: Disconnect power before wiring or maintenance. Fixture must be installed by qualified electrician. Do not install in a location where standing water collects. Fixture must always be installed according to local and national electrical codes. Fixture must be installed on a circuit protected by ground fault circuit interrupter (GFCI).

WARNING: All joints must be sealed from water entry, use appropriate sealing material where necessary. Always ensure that all gaskets and sealing surfaces are free of dirt and debris.

Use the following Guidelines when installing LED fixtures: Install LED fixtures on their own circuit, Do not mix with other non LED fixtures or products. Do not use any other electrical equipment like surge protectors, photocells, etcetera on the same circuit that is not rated for use with LED fixtures. Install remote surge protectors appropriate for the installation (by others) with nothing between the surge protector and the LED fixtures.



For double mounting arm fixtures, choose Flat head anchor screws for the upper arm suitable for the location (by others).



2024.10.24