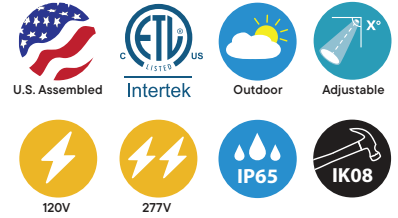


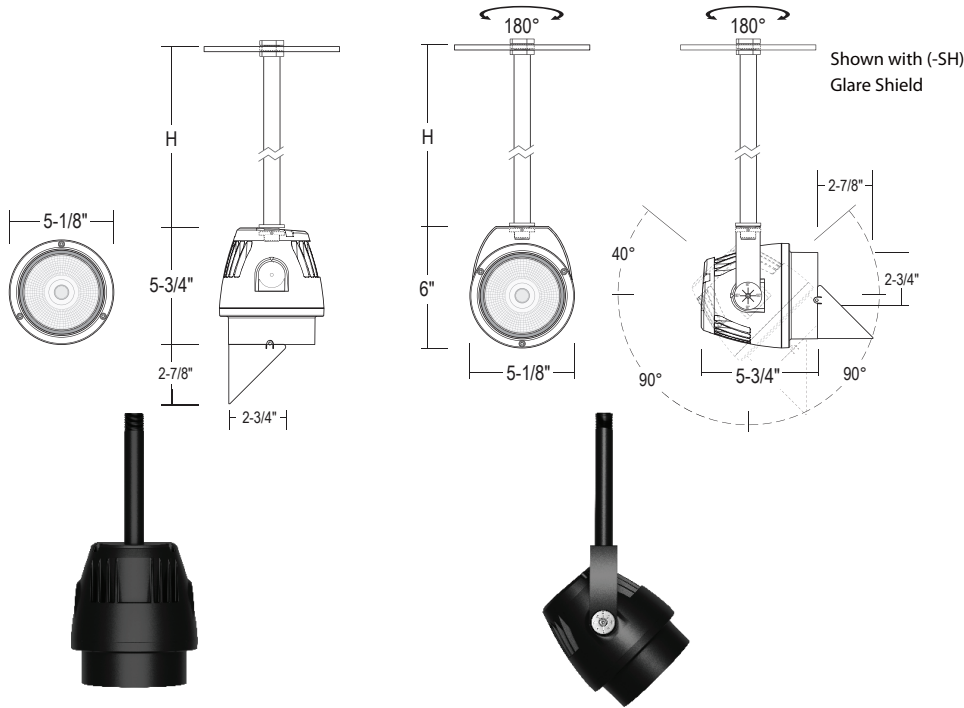
## AG330P : LUMENRAY (Small) IP65 PENDANT SPOT/FLOOD LIGHT 1000LM/1800LM/2500LM (12W/20W/25W)



- Simple, stylish industrial design
- Eco-friendly, high-strength ADC12 die-cast aluminum
- Dual-cavity heat sink design improves LED life and durability
- Multiple mounting options for flexible installation
- IP65 Rated
- IK08 option available
- 90 CRI Standard

AG330P

AG330JP



### ORDERING : AG330PW-L18-B15UE-DUN-T27-STM6



[Click for Full Specification Details](#)

Fixture	Finish	Lumens	Beam Spread	Control	Color Temperature	1/2" IPS Stem Length	Options	Accessories	
<b>Fixture</b>			<b>Beam Spread</b>		<b>Color Temperature</b>		<b>Options</b>		
Pendant	<b>AG330P</b>	10° Pinpoint	<b>-B10<sup>1</sup></b>		2700K (90 CRI)	<b>-T27</b>	None	<b>Blank</b>	
Adjustable	<b>AG330JP<sup>1</sup></b>	15° Narrow Spot	<b>-B15</b>		3000K (90 CRI)	<b>-T30</b>	IK08 Impact Rated	<b>-IK08<sup>1,3</sup></b>	
Pendant		25° Spot	<b>-B25</b>		3500K (90 CRI)	<b>-T35</b>	Hex-Cell Louver	<b>-LVR</b>	
		40° Flood	<b>-B40</b>		4000K (90 CRI)	<b>-T40</b>	Anti-Glare Lens	<b>-GR</b>	
					5000K (90 CRI)	<b>-T50</b>	Glare Shield	<b>-SH<sup>1</sup></b>	
							Cold Weather	<b>-CW<sup>1</sup></b>	
							Marine Grade Finish	<b>-MGD<sup>2</sup></b>	
<b>Finish</b>			<b>Control</b>					<b>Accessories</b>	
Bronze	<b>BZ</b>		Non- Dimming (120V)	<b>Blank</b>				None	<b>Blank</b>
Black	<b>B</b>		UniDim™ 0-10V, TRIAC/ELV Dimming (120V/277V)	<b>UE-DUN</b>				Surface Mount Junction Box (5-conduit entry)	<b>/AG3P-JB</b>
White	<b>W</b>		SimplySnap Wireless System (120V/277V)	<b>-DSYN<sup>1</sup></b>				Emergency Backpack Accessory	<b>/AG3J-EMB-FC</b>
Silver	<b>S<sup>2</sup></b>								
<b>Lumens</b>						<b>1/2" IPS Stem Length<sup>4</sup></b>			
1000lm (12W)	<b>-L10</b>					6" Stem	<b>-STM6</b>		
1800lm (20W)	<b>-L18</b>					12" Stem	<b>-STM12</b>		
2500lm (25W)	<b>-L25</b>					18" Stem	<b>-STM18</b>		
						24" Stem	<b>-STM24</b>		
						36" Stem	<b>-STM36</b>		
						48" Stem	<b>-STM48</b>		

<sup>1</sup> Special Order. Minimum Order. Extended lead time may apply. Consult Factory.  
<sup>2</sup> Special Order Finish. Minimum order quantity (MOQ) applies. Orders less than MOQ are subject to a special paint set-up fee for the quantity ordered. Extended lead times may apply. Consult Factory.  
<sup>3</sup> Consult factory for IK08 option with Polycarbonate Lens.  
<sup>4</sup> Pendant Stems only available in Black and White Standard Finishes.

Custom RAL Color: Please note that we appreciate custom finishes. Custom finishes are subject to a special paint setup fee for the quantity ordered. Extended lead times may apply. Consult Factory.  
 Fixture Weighs on Average 4 lbs.