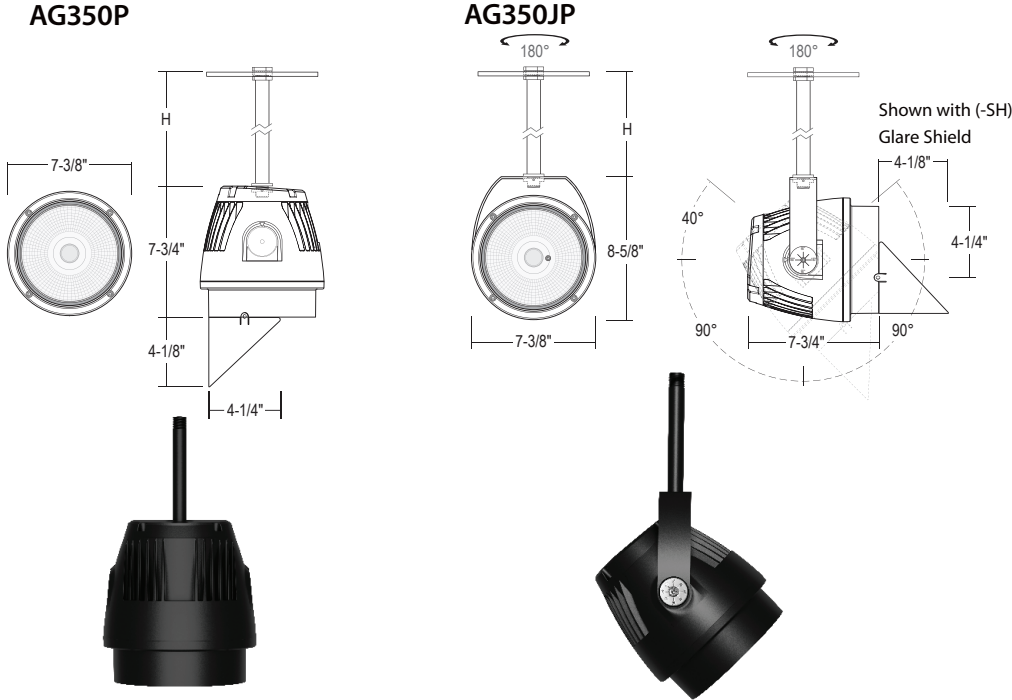
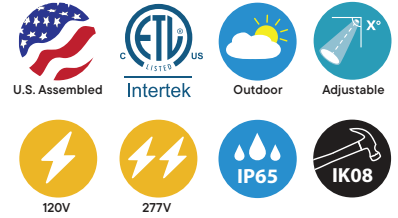


AG350P : LUMENRAY (Medium) IP65 PENDANT ADJUSTABLE SPOT/FLOOD LIGHT 2000LM - 4500LM (20W - 50W)



- Simple, stylish industrial design
- Eco-friendly, high-strength ADC12 die-cast aluminum
- Dual-cavity heat sink design improves LED life and durability
- Multiple mounting options for flexible installation
- IP65 Rated
- IK08 option available
- 90 CRI Standard

ORDERING : AG350PW-L26-B15UE-DUN-T27-STM6

[Click for Full Specification Details](#)

Fixture	Finish	Lumens	Beam Spread	Control	Color Temperature	1/2" IPS Stem Length	Options	Emergency Options Installations
Fixture		Beam Spread		Color Temperature		Options		
Pendant	AG350P	10° Pinpoint	-B10¹	2700K (90 CRI)	-T27	None	Blank	
Adjustable Pendant	AG350JP¹	15° Narrow Spot	-B15	3000K (90 CRI)	-T30	IK08 Impact Rated	-IK08^{1,3}	
		25° Spot	-B25	3500K (90 CRI)	-T35	Hex-Cell Louver	-LVR	
		40° Flood	-B40	4000K (90 CRI)	-T40	Anti-Glare Lens	-GR	
Finish		Control		5000K (90 CRI)	-T50	Glare Shield	-SH¹	
Bronze	BZ	Non-Dimming (120V)	Blank	1/2" IPS Stem Length⁴		Cold Weather	-CW¹	
Black	B	UniDim™ 0-10V, TRIAC/ELV Dimming (120V/277V)	UE-DUN	6" Stem	-STM6	Marine Grade Finish	-MGD²	
White	W	SimplySnap Wireless System (120V/277V)	-DSYN¹	12" Stem	-STM12	Accessories		
Silver	S²			18" Stem	-STM18	None	Blank	
Lumens				24" Stem	-STM24	Surface Mount Junction Box (5-conduit entry)	/AG3P-JB	
2000lm (20W)	-L20			36" Stem	-STM36	Emergency Backpack Accessory	/AG3J-EMB-FC	
2600lm (28W)	-L26			48" Stem	-STM48			
3500lm (40W)	-L35							
4500lm (50W)	-L45							

¹ Special Order. Minimum Order. Extended lead time may apply. Consult Factory.
² Special Order Finish. Minimum order quantity (MOQ) applies. Orders less than MOQ are subject to a special paint set-up fee for the quantity ordered. Extended lead times may apply. Consult Factory.
³ Consult factory for IK08 option with Polycarbonate Lens.
⁴ Pendant Stems only available in Black and White Standard Finishes.

Custom RAL Color: Please note that we appreciate custom finishes. Custom finishes are subject to a special paint setup fee for the quantity ordered. Extended lead times may apply. Consult Factory.
 Fixture Weighs on Average 8 lbs.