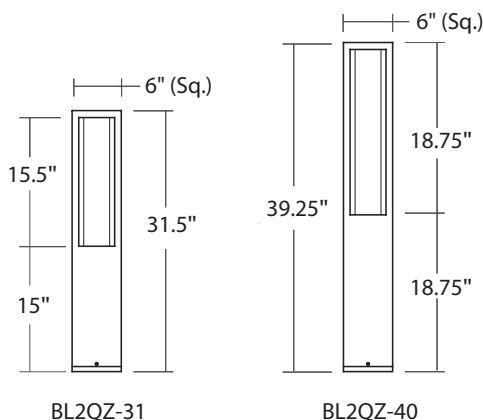


# BL2QZ-31/40: LUMENPOLE SQUARE BOLLARD

6" OPEN FRAME - 31", AND 40" HEIGHT  
 650LM / 1400LM (8W / 18W)



- Dark Sky Compliant
- U.S. Assembled
- Tamper Resistant Hardware
- IK08 Impact Rating
- Optional Photocell Sensor/ GFCI Provision and In-Use Cover
- Quick Ship Options Available
- 90 CRI Standard, 80 CRI on 5000K

## ORDERING : BL2QZ-31B-L14-SYM-WUE-D10-T27-C90-SDL

[Click for Full Specification Details](#)

Fixture	Finish	Lumens	Optic	Control	LED	Options	Openings
<b>Height</b>			<b>Optic</b>		<b>Control</b>		<b>LED</b>
31" Bollard	<b>BL2QZ-31<sup>1</sup></b>		Symmetric Extra Narrow (20°)	Non-Dimming (120V)	<b>Blank</b>	2700K (90CRI)	<b>-T27-C90</b>
40" Bollard	<b>BL2QZ-40</b>		Symmetric Narrow (45°)	TRIAC/ELV Dimming (120V)	<b>-DIN<sup>9</sup></b>	3000K (90CRI)	<b>-T30-C90</b>
			Symmetric Wide (75°)	0-10V Dimming (120/277V)	<b>UE-D10</b>	3000K (97 CRI)	<b>-T30-C97<sup>1</sup></b>
<b>Finish</b>			Asymmetric Forward Throw	UniDim™ 0-10V, TRIAC/ELV Dimming (120V/277V)	<b>UE-DUN</b>	3500K (90 CRI)	<b>-T35-C90</b>
Black	<b>B</b>		Asymmetric Wide	0-10V Dimming (347V)	<b>-347-D10<sup>8</sup></b>	4000K (90 CRI)	<b>-T40-C90</b>
White	<b>W<sup>2</sup></b>		Asymmetric Wide	Dali Dimming (120V/277V)	<b>UE-DLI<sup>1,3</sup></b>	5000K (80 CRI)	<b>-T50</b>
Silver	<b>S<sup>2</sup></b>		Asymmetric Wide	Casambi Wireless Dimming (120V/277V)	<b>-DCSM</b>	Amber Lighting (590nm, Turtle Safe with Louver)	<b>-TAM-LVR<sup>5</sup></b>
Bronze	<b>BZ</b>			BubblyNet Wireless System (120V/277V)	<b>-DBNT<sup>1</sup></b>		<b>Emergency Options</b>
<b>Lumens</b>				SimplySnap Wireless System (120V/277V)	<b>-DSYN<sup>1,6</sup></b>	None	<b>Blank</b>
650lm (8W)	<b>-L05</b>			UniSense - Integral Motion/Photosensor (120V)	<b>-SUN-INT<sup>1</sup></b>	Remote Full Power Emergency Option	<b>-EMAC<sup>3</sup></b>
800lm (10W)	<b>-L08</b>			UniSense - Integral Motion/Photosensor (120V/277V)	<b>-SUN-INT-1227<sup>1</sup></b>		<b>Options</b>
1100lm (14W)	<b>-L10</b>					None	<b>Blank</b>
1400lm (18W)	<b>-L14</b>					Photocell Sensor	<b>-SDL<sup>3</sup></b>
						Surge Protector (120V/277V)	<b>-SRG<sup>3</sup></b>
						Cold Weather	<b>-CW<sup>4</sup></b>
						GFCI plug and cover	<b>-GFI<sup>9</sup></b>
						Frosted Lens	<b>-FR</b>
						Marine Grade Finish	<b>-MGD<sup>2</sup></b>
							<b>Openings<sup>1</sup></b>
						None, Open all 4 sides	<b>Blank</b>
						1 Side Closed	<b>/1</b>
						2 Adjacent Sides Closed	<b>/2-90</b>
						2 Opposing Sides closed	<b>/2-180</b>
						3 Sides Closed	<b>/3-90</b>

<sup>1</sup> Special order. Minimum Order, Extended lead time may apply. Consult Factory.  
<sup>2</sup> Special Order Finish. Minimum order quantity (MOQ) applies. Orders less than MOQ are subject to a special paint set-up fee for the quantity ordered. Extended lead times may apply. Consult Factory.  
<sup>3</sup> Not rated for cold weather. Minimum fixture outdoor temperature 0°C (32°F).  
<sup>4</sup> Starting Temperature -40°C/-40°F. Only available with (UE-DUN) control option.  
<sup>5</sup> (-TAM-LVR) option only available with Lumens -L05, -L08, or -L10.  
<sup>6</sup> Special Order. Sent with surface mount JBOX to allow for direct-conduit entry.  
<sup>7</sup> Only Available for (-40) Height Option.  
<sup>8</sup> (-347-D10) option only available for Lumens (-L10) & (-L14)  
<sup>9</sup> (-GFI) intended for use with a 120V separate power input not connected to the luminaire power supply.

Custom RAL Color: Please note that we appreciate custom finishes. Custom finishes are subject to a special paint setup fee for the quantity ordered. Extended lead times may apply. Consult Factory.  
 Consult factory for possible additional options including: USB, AC outlet, speaker hubs, wireless, node mounting, PC/Motion sensor, 7-pin photocell receptacle (C136.41 compliant) only w/shorting cap, accepts standard twist-lock photocell or PC/Control Node for wireless dimming control.

2025.09.22