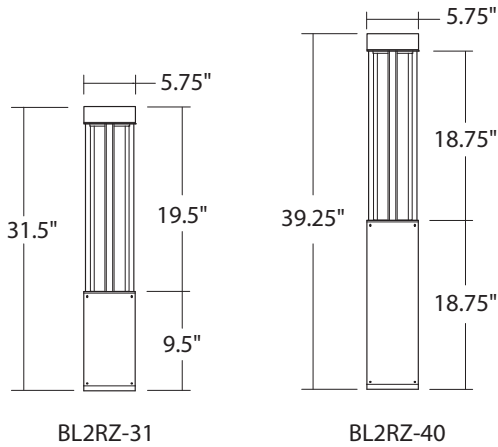


BL2RZ-31/40: LUMENPOLE ROUND BOLLARD

6" OPEN FRAME - 31", AND 40" HEIGHT
500LM / 1200LM (8W / 18W)



- Dark Sky Compliant
- U.S. Assembled
- Tamper Resistant Hardware
- IK08 Impact Rating
- Optional Photocell Sensor
- Quick Ship Options Available
- 90 CRI Standard, 80 CRI on 5000K

ORDERING : BL2RZ-31B-L05-SYM-EN-T27-C90

[Click for Full Specification Details](#)

Fixture	Height	Finish	Lumens	Optic	Control	LED	Emergency Options	Options
Height		Lumens		Control		LED		
31" Bollard	-31¹		500lm (8W)	-L05	Non-Dimming (120V)	Blank	2700K (90CRI)	-T27-C90
40" Bollard	-40		700lm (10W)	-L07	TRIAC/ELV Dimming (120V)	-DIN	3000K (90CRI)	-T30-C90
			900lm (14W)	-L10	0-10V Dimming (120/277V)	UE-D10	3000K (97 CRI)	-T30-C97¹
			1200lm (18W)	-L14	UniDim™ 0-10V, TRIAC/ELV Dimming (120V/277V)	UE-DUN	3500K (90 CRI)	-T35-C90
Finish		Optic		0-10V Dimming (347V)		-347-D10⁸	4000K (90 CRI)	-T40-C90
Black	B	Symmetric Extra Narrow (20°)	-SYM-EN⁷	Dali Dimming (120V/277V)	UE-DL1^{1,3}	5000K (80 CRI)	-T50	
White	W²	Symmetric Narrow (45°)	-SYM-N⁷	Casambi Wireless Dimming (120V/277V)	-DCSM	Amber Lighting (590nm, Turtle Safe with Louver)	-TAM-LVR⁵	
Silver	S²	Symmetric Wide (75°)	-SYM-W	BubblyNet Wireless System (120V/277V)	-DBNT¹	Emergency Options		
Bronze	BZ	Asymmetric Forward Throw	-ASY-FT^{1,7}	SimplySnap Wireless System (120V/277V)	-DSYN^{1,6}	None	Blank	
		Asymmetric Wide	-ASY-W^{1,7}	UniSense - Integral Motion/Photosensor (120V)	-SUN-INT¹	Remote Full Power Emergency Option	-EMAC³	
				UniSense - Integral Motion/Photosensor (120V/277V)	-SUN-INT-1227¹	Options		
						None	Blank	
						Photocell Sensor	-SDL³	
						Surge Protector (120V/277V)	-SRG³	
						Cold Weather	-CW⁴	
						Frosted Lens	-FR	
						Marine Grade Finish	-MGD²	

¹ Special order. Minimum Order. Extended lead time may apply. Consult Factory.
² Special Order Finish. Minimum order quantity (MOQ) applies. Orders less than MOQ are subject to a special paint set-up fee for the quantity ordered. Extended lead times may apply. Consult Factory.
³ Not rated for cold weather. Minimum fixture outdoor temperature, 0°C (32°F).
⁴ Starting Temperature -40°C/-40°F. Only available with (UE-DUN) control option.
⁵ (-TAM-LVR) option only available with Lumens -L14.
⁶ Special Order. Sent with surface mount JBOX to allow for direct-conduit entry.
⁷ Only Available for (-40) Height Option.
⁸ (-347-D10) option only available for Lumens (-L10) & (-L14).

Lumen values only apply to white light not (-RGBW) LED option.
 Custom RAL Color: Please note that we appreciate custom finishes. Custom finishes are subject to a special paint setup fee for the quantity ordered. Extended lead times may apply. Consult Factory.

Consult factory for possible additional options including: USB, AC outlet, speaker hubs, wireless, node mounting, PC/Motion sensor, 7-pin photocell receptacle (C136.41 compliant) only w/shorting cap, accepts standard twist-lock photocell or PC/Control Node for wireless dimming control.