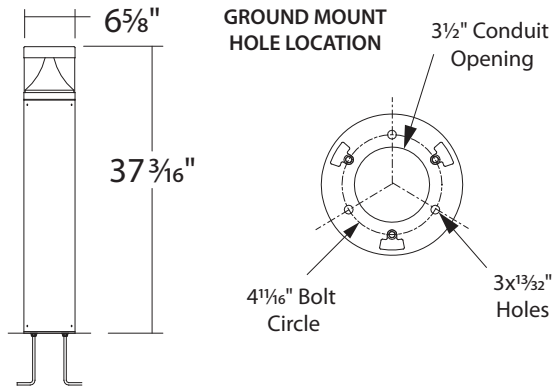


# BL31 : 7" LED ROUND BOLLARD

## CONE REFLECTOR (FLAT TOP) 2300LM (28W)



- No visible HARR
- Up to 83% energy savings versus CFL & HID
- Glare Free
- Corrosion-resistant polyester powder coat finish
- Available in Black, White, Silver and Bronze
- 120V/277V Standard
- Universal Dimming option dims with ELV, 2-Wire 0-10V Dimming Systems
- 5-Year Limited Warranty
- Up to 20' O.C spacing
- Type V & IV IES Distributions Available
- IK08 Rated

### ORDERING : BL31BUE-D10-T30

[Click for Full Specification Details](#)

| BL31   |                      | Fixture | Reflector Finish | Control                                | LED                       | Distribution | Options     |                         |                         |                                       |              |
|--------|----------------------|---------|------------------|--|---------------------------|--------------|-------------|-------------------------|-------------------------|---------------------------------------|--------------|
| Finish | Reflector Finish     | Control | LED              | Distribution                           | Options                   |              |             |                         |                         |                                       |              |
| Black  | <b>B</b>             | White   | <b>Blank</b>     | Non-Dimming (120V/277V)                | <b>Blank</b>              | 3000K        | <b>-T30</b> | Type V                  | <b>Blank</b>            | None                                  | <b>Blank</b> |
| Bronze | <b>BZ</b>            | Silver  | <b>-S</b>        | 0-10V Dimming (120V/277V)              | <b>UE-D10<sup>1</sup></b> | 4000K        | <b>-T40</b> | Symmetrical             |                         | 25W Remote Emergency                  | <b>-EMAC</b> |
| Silver | <b>S<sup>3</sup></b> | Black   | <b>-B</b>        | Casambi Wireless Dimming (120V/277V)   | <b>-DCSM<sup>4</sup></b>  | 5000K        | <b>-T50</b> | Type IV                 | <b>-BIV<sup>2</sup></b> | 14W Integral Emergency Battery Backup | <b>-EMA</b>  |
| White  | <b>W<sup>3</sup></b> |         |                  | BubblyNet Wireless System (120V/277V)  | <b>-DBNT<sup>4</sup></b>  |              |             | 160° Wide Forward Throw |                         | Cold Weather                          | <b>-CW</b>   |
|        |                      |         |                  | SimplySnap Wireless System (120V/277V) | <b>-DSYN<sup>5</sup></b>  |              |             |                         |                         |                                       |              |

<sup>1</sup> Minimum order quantity, extended lead time may apply. Consult factory.  
<sup>2</sup> Achieved with internal 180 degree shield, prevents light leakage from dark side. Special Order.  
<sup>3</sup> Special Order Finish. Minimum order quantity (MOQ) applies. Orders less than MOQ are subject to a special paint set-up fee for the quantity ordered. Extended lead times may apply. Consult Factory.  
<sup>4</sup> Special Order.  
<sup>5</sup> Special Order. Sent with surface mount JBOX to allow for direct-conduit entry.

Custom RAL Color: Please note that we appreciate custom finishes. Custom finishes are subject to a special paint setup fee for the quantity ordered. Extended lead times may apply. Consult Factory.

### COMPATABILITY

