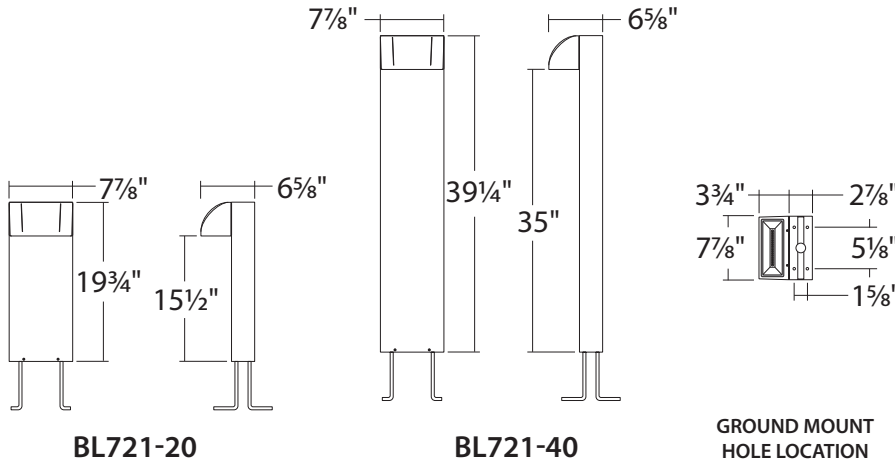


# BL721 : 8" x 4" SCOOP BOLLARD

(IP65) - 590NM - AMBER (TURTLE SAFE) 205LM (20W)



- Sleek architectural design
- Durable, corrosion resistant finish
- Emergency back up available
- 5-year limited warranty
- IK08 Rated



### Turtle Safe Requirements:

**LOW:** The product is designed for low to medium ceiling heights and delivered lumen output is sufficient to produce enough foot-candles to satisfy building codes but not overpower the environment with excessive lumen output.  
**SHIELDED:** The trim is deeply recessed and provides a minimum of 50° of glare cutoff. The trim reflector color is black to limit reflections. The beam spread is tightly controlled.  
**LONG:** LED color is verified as 585nm minimum and 595nm maximum.

## ORDERING : BL721-20B-TAM-LVR



[Click for Full Specification Details](#)

### BL721

Fixture      Height      Finish      Lens      LED      Options

Height	Finish	Lens	LED	Options
20" <b>-20</b>	Black <b>B</b>	Clear <b>Blank</b>	590nm Amber <b>-TAM-LVR</b>	None <b>Blank</b>
40" <b>-40</b>	White <b>W<sup>1</sup></b>	Frosted <b>-FR</b>		Cold Weather <b>-CW</b>
	Bronze <b>BZ<sup>1</sup></b>			Marine Grade Finish <b>-MGD<sup>1</sup></b>
	Silver <b>S<sup>1</sup></b>			

<sup>1</sup> Special Order Finish. Minimum order quantity (MOQ) applies. Orders less than MOQ are subject to a special paint set-up fee for the quantity ordered. Extended lead times may apply. Consult Factory.

Custom RAL Color: Please note that we appreciate custom finishes. Custom finishes are subject to a special paint setup fee for the quantity ordered. Extended lead times may apply. Consult Factory.