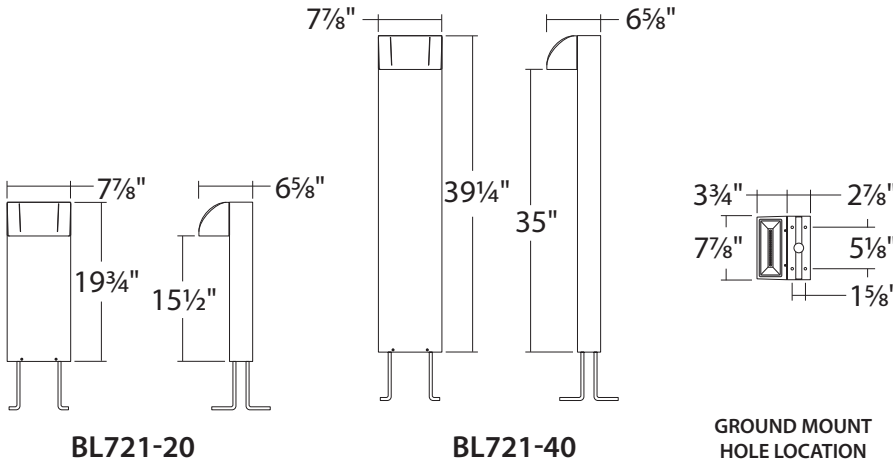


BL721 : 8"x4" SCOOP BOLLARD

(IP65) - 850LM (15W)



- Sleek architectural design
- Durable, corrosion resistant finish
- Emergency back up available
- 5-year limited warranty
- IK08 Rated



ORDERING : BL721-20B-FRUE-DUN-T30

[Click for Full Specification Details](#)

BL721		Fixture	Height	Finish	Lens	Control	LED	Options	
Height	Finish	Lens	Control	LED	Options				
20"	-20	Black	B	Clear	Blank	Non-Dimming (120V)	Blank	4000K Blank	None Blank
40"	-40	White	W¹	Frosted	-FR	UniDim™ 0-10V, ELV, Triac Dimming (120V/277V)	UE-DUN	3000K -T30	Cold Weather -CW
		Bronze	BZ¹			UniSense - Integral Motion/Photosensor (120V)	-SUN-INT	3500K -T35^{2,3}	Marine Grade Finish -MGD²
		Silver	S¹			UniSense - Integral Motion/Photosensor (120V/277V)	-SUN-INT-1227		
						Casambi Wireless Dimming (120V/277V)	-DCSM²		
						BubblyNet Wireless System (120V/277V)	-DBNT²		
						SimplySnap Wireless System (120V/277V)	-DSYN⁴		

¹ Special Order Finish. Minimum order quantity (MOQ) applies. Orders less than MOQ are subject to a special paint set-up fee for the quantity ordered. Extended lead times may apply. Consult Factory.
² Special order. Minimum order quantity, extended lead time, and setup fee may apply. Consult Factory.
³ (-T35) 3500K is not available with (UE-DUN) dimming option.
⁴ Special Order. Sent with surface mount JBOX to allow for direct-conduit entry.
 Custom RAL Color: Please note that we appreciate custom finishes. Custom finishes are subject to a special paint setup fee for the quantity ordered. Extended lead times may apply. Consult Factory.

2025.06.18