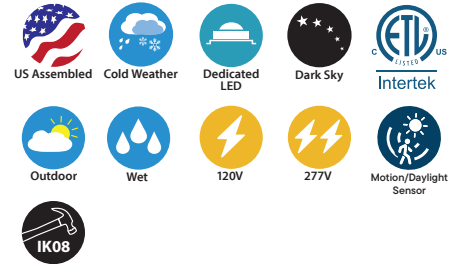
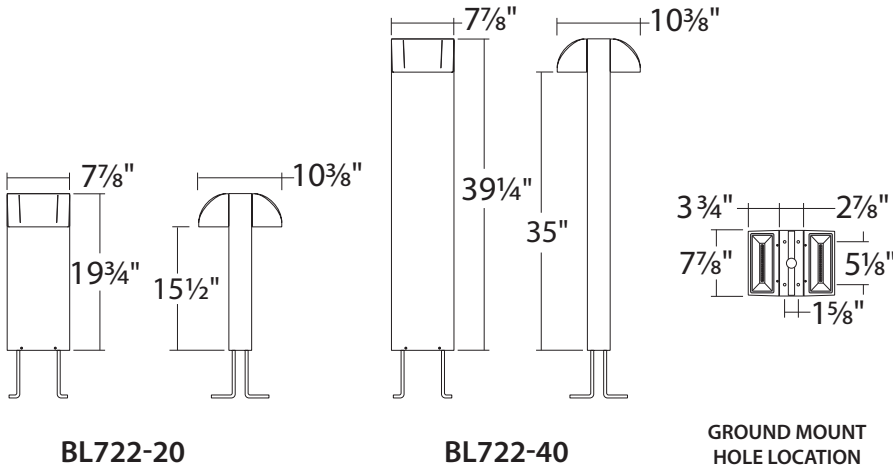


# BL722 : 8" x 4" DOUBLE SCOOP BOLLARD

(IP65) - 2 X 850LM (2 X 15W)



- Sleek architectural design
- Durable, corrosion resistant finish
- Emergency back up available
- 5-year limited warranty
- IK08 Rated



## ORDERING : BL722-20B-FRUE-DUN-T30

[Click for Full Specification Details](#)

BL722		Fixture	Height	Finish	Lens	Control	LED	Options	
Height	Finish	Lens	Control	LED	Options				
20"	<b>-20</b>	Black	<b>B</b>	Clear	<b>Blank</b>	Non-Dimming (120V)	<b>Blank</b>	4000K <b>Blank</b>	None <b>Blank</b>
40"	<b>-40</b>	White	<b>W<sup>1</sup></b>	Frosted	<b>-FR</b>	UniDim™ 0-10V, ELV, Triac Dimming (120V/277V)	<b>UE-DUN</b>	3000K <b>-T30</b>	Cold Weather <b>-CW</b>
		Bronze	<b>BZ<sup>1</sup></b>			UniSense - Integral Motion/Photosensor (120V)	<b>-SUN-INT</b>	3500K <b>-T35<sup>2,3</sup></b>	Marine Grade Finish <b>-MGD<sup>2</sup></b>
		Silver	<b>S<sup>1</sup></b>			UniSense - Integral Motion/Photosensor (120V/277V)	<b>-SUN-INT-1227</b>		
						Casambi Wireless Dimming (120V/277V)	<b>-DCSM<sup>2</sup></b>		
						BubblyNet Wireless System (120V/277V)	<b>-DBNT<sup>2</sup></b>		
						SimplySnap Wireless System (120V/277V)	<b>-DSYN<sup>4</sup></b>		

<sup>1</sup> Special Order Finish. Minimum order quantity (MOQ) applies. Orders less than MOQ are subject to a special paint set-up fee for the quantity ordered. Extended lead times may apply. Consult Factory.  
<sup>2</sup> Special order. Minimum order quantity, extended lead time, and setup fee may apply. Consult Factory.  
<sup>3</sup> (-T35) 3500K is not available with (UE-DUN) dimming option.  
<sup>4</sup> Special Order. Sent with surface mount JBOX to allow for direct-conduit entry.

Custom RAL Color: Please note that we appreciate custom finishes. Custom finishes are subject to a special paint setup fee for the quantity ordered. Extended lead times may apply. Consult Factory.