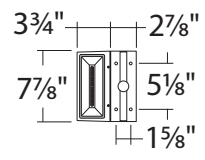
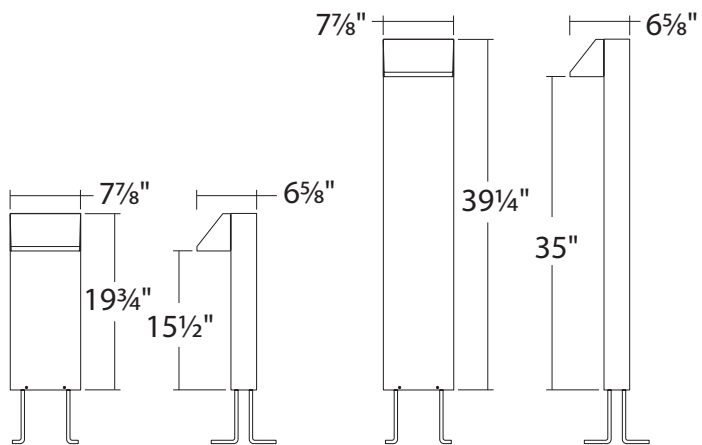


BL731 : 8" x 4" TRAPEZOID BOLLARD

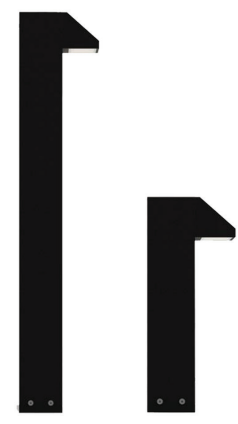
(IP65) - 590NM - AMBER (TURTLE SAFE) (15W)



- Sleek architectural design
- Durable, corrosion resistant finish
- 5-year limited warranty
- IK08 Rated



GROUND MOUNT HOLE LOCATION



Turtle Safe Requirements:

LOW: The product is designed for low to medium ceiling heights and delivered lumen output is sufficient to produce enough foot-candles to satisfy building codes but not overpower the environment with excessive lumen output.

SHIELDED: The trim is deeply recessed and provides a minimum of 50° of glare cutoff. The trim reflector color is black to limit reflections. The beam spread is tightly controlled.

LONG: LED color is verified as 585nm minimum and 595nm maximum.

ORDERING : BL731-20B-TAM-LVR

[Click for Full Specification Details](#)

BL731

| Fixture | Height | Finish | Lens | LED | Options |
|---------|----------------|--------|------------------------|-------------|------------------------------|
| Height | 20" -20 | Black | B | Clear | Blank |
| | 40" -40 | White | W ¹ | Frosted | -FR |
| | | Bronze | BZ ¹ | | |
| | | Silver | S ¹ | | |
| | | | | 590nm Amber | -TAM-LVR ² |
| | | | | | None |
| | | | | | Cold Weather |
| | | | | | Marine Grade Finish |
| | | | | | Blank |
| | | | | | -CW |
| | | | | | -MGD ¹ |

¹ Special Order Finish. Minimum order quantity (MOQ) applies. Orders less than MOQ are subject to a special paint set-up fee for the quantity ordered. Extended lead times may apply. Consult factory.
² Special Order. Minimum Order. Extended lead time may apply. Consult factory.

Custom RAL Color: Please note that we appreciate custom finishes. Custom finishes are subject to a special paint setup fee for the quantity ordered. Extended lead times may apply. Consult Factory.

2025.06.18