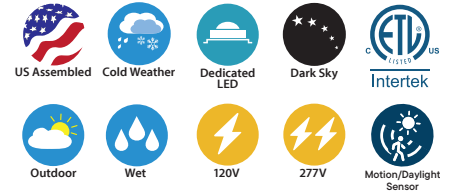
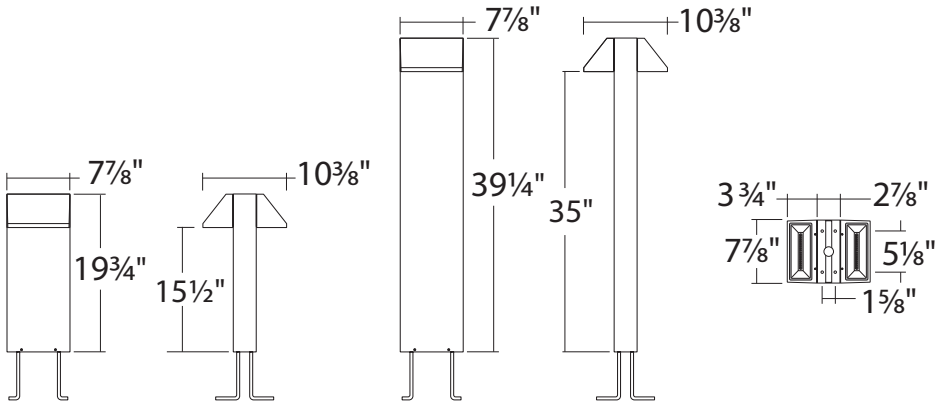


BL732 : 8" x 4" DOUBLE TRAPEZOID BOLLARD (IP65) - 2 X 850LM (2 X 15W)



- Sleek architectural design
- Durable, corrosion resistant finish
- 5-year limited warranty
- IK08 Rated



BL732-20

BL732-40

GROUND MOUNT
HOLE LOCATION



ORDERING : BL732-20B-FRUE-DUN-T30

[Click for Full Specification Details](#)

BL732

Fixture	Height	Finish	Lens	Control	LED	Options					
Height	Finish	Lens	Control	LED	Options						
20"	-20	Black	B	Clear	Blank	Non-Dimming (120V)	Blank	4000K	Blank	None	Blank
40"	-40	White	W¹	Frosted	-FR	UniDim™ 0-10V, ELV, Triac Dimming (120V/277V)	UE-DUN	3000K	-T30	Cold Weather	-CW
		Bronze	BZ¹			UniSense - Integral Motion/Photosensor (120V)	-SUN-INT	3500K	-T35^{2,3}	Marine Grade Finish	-MGD²
		Silver	S¹			UniSense - Integral Motion/Photosensor (120V/277V)	-SUN-INT-1227				
						Casambi Wireless Dimming (120V/277V)	-DCSM²				
						BubblyNet Wireless System (120V/277V)	-DBNT²				
						SimplySnap Wireless System (120V/277V)	-DSYN⁴				

¹ Special Order Finish. Minimum order quantity (MOQ) applies. Orders less than MOQ are subject to a special paint set-up fee for the quantity ordered. Extended lead times may apply. Consult Factory.
² Special order. Minimum order quantity, extended lead time, and setup fee may apply. Consult Factory.
³ (-T35) 3500K is not available with (UE-DUN) dimming option.
⁴ Special Order. Sent with surface mount JBOX to allow for direct-conduit entry.

Custom RAL Color: Please note that we appreciate custom finishes. Custom finishes are subject to a special paint setup fee for the quantity ordered. Extended lead times may apply. Consult Factory.