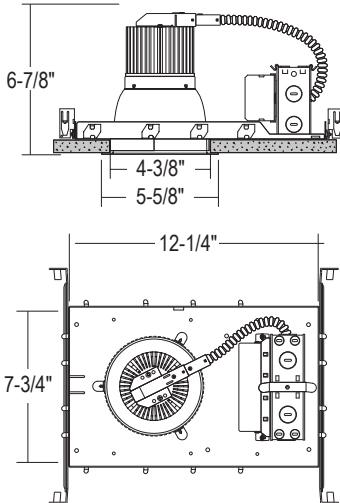
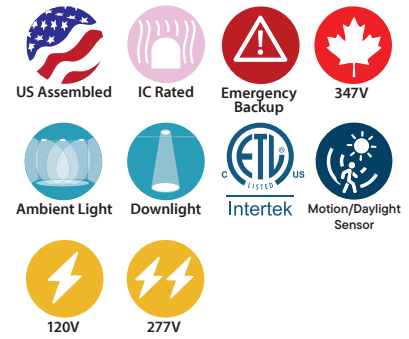


CH4C : 4" C-SERIES

(COB) CHIP ON BOARD BEAM CONTROL LED, NEW CONSTRUCTION
 1000LM - 2500LM (10W-30W)



Ceiling Cut-Out: 4-7/8"
 Ceiling Thickness: 1" Max



- Assorted dimming options.
- COB LED design allows for concentrated high CBCP beam
- Multiple Beam Spreads for flexible beam control
- Quick connector power adapter and twist-and-lock reflector for quick access and easy maintenance

ORDERING : CH4C10UE-D10-EM-BWNG/CR4LC30SW-B30-T27

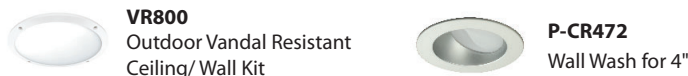
[Click for Full Specification Details](#)

CH4C

| Housing | Insulation Contact | Control | Emergency Options | J-Box | Mounting | Reflector Finish | Beam Spread | CCT | Options |
|---|--------------------|----------------------------------|---------------------------------------|-------|-------------------------------|-----------------------------|------------------------|-----|-----------------|
| Housing | | Emergency Options | | | J-Box | | Beam Spread | | |
| 1000lm (10W) | | CH4C10 | None | | | Blank | 20° Spot | | -B20 |
| 1400lm (15W) | | CH4C15 | 10W Emergency Battery | | | -EM | 30° Narrow Flood | | -B30 |
| 1900lm (20W) | | CH4C20 | Full Power Emergency Inverter | | | -EMAC⁴ | 50° Wide Flood | | -B50 |
| 2500lm (30W) | | CH4C30 | Full Power Emergency Inverter (347V) | | | -EMAC347⁴ | 60° Wide Flood | | -B60 |
| Insulation Contact | | GTD Device | | | | -GTD | 70° Very Wide Flood | | -B70 |
| Non-IC | | Blank | Mounting | | | | CCT | | |
| IC Rated/Airtight | | ICA⁵ | 24" Adjustable | | | Blank | 2700K (90 CRI) | | -T27 |
| Control ¹ | | Architectural C-Channel | | | | -BWNG⁶ | 2700K (97 CRI) | | -T27-C97 |
| 0-10V Dimming | | UE-D10 | Reflector Finish | | | | 3000K (90 CRI) | | -T30 |
| UniDim™ 0-10V, TRIAC/ELV Dimming | | UE-DUN | Satin Haze Reflector/White Finish | | /CR4LC30SW | | 3000K (97 CRI) | | -T30-C97 |
| TRIAC/ELV Dimming (120V) | | -DIN | White Reflector/White Finish | | /CR4LC30WW | | 3500K (90 CRI) | | -T35 |
| Lutron Hi-Lume | | UE-DHL | All Black | | /CR4LC30BB | | 4000K (90 CRI) | | -T40 |
| Lutron EcoSystem | | UE-ECO | Clear Specular Reflector/White Finish | | /CR4LC30CW³ | | 5000K (80 CRI) | | -T50 |
| 0-10V Dimming (347V) | | -347-D10² | All Satin Haze | | /CR4LC30SS | | Options | | |
| 1%, 0-10V Dimming | | UE-D10P1 | Options | | | | None | | Blank |
| DMX Dimming with input via XLR5 (120V/277V) | | UE-DMXLR5 | None | | | | 4.5" Ceiling Thickness | | -CT4 |
| DMX Dimming with input via RJ45 (120V/277V) | | UE-DMXRJ45 | Junction Box (Chicago Plenum) | | | | | | |
| Athena Wireless Node (120V) | | -AWN | | | | | | | |
| Athena Wireless Node | | -AWN-OCC | | | | | | | |
| Occupancy Sensor (120V) | | | | | | | | | |
| UniSense - Remotely Mounted Motion/Photosensor (120V) | | -SUN-RMT⁸ | | | | | | | |
| UniSense - Remotely Mounted Motion/Photosensor | | -SUN-RMT-1227⁸ | | | | | | | |
| Casambi Wireless Dimming | | -DCSM⁷ | | | | | | | |
| BubblyNet Wireless System | | -DBNT⁷ | | | | | | | |
| Lutron Vive Wireless Dimming Module | | -VIVE⁷ | | | | | | | |

¹ All drivers are 120V/277V unless otherwise noted.
² -347-D10 is not available for CH4C10.
³ Clear finish reflector not recommended for placing close to vertical surfaces. Uneven striations may be visible.
⁴ Check wiring diagram.
⁵ ICA is only available for CH4C10, CH4C15 and CH4C20. (CH4C30 are Non-IC rated.)
⁶ (-BWNG) option does **NOT** include Hanger Bars. Hanger Bars ordered separately.
⁷ Special Order.
⁸ (-SUN-RMT) Sensor sent with mounting clips for existing ceiling applications.

COMPATABILITY



2025.1.04