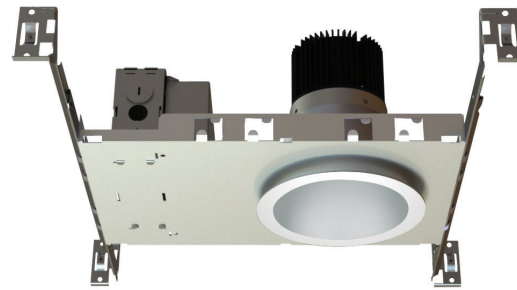
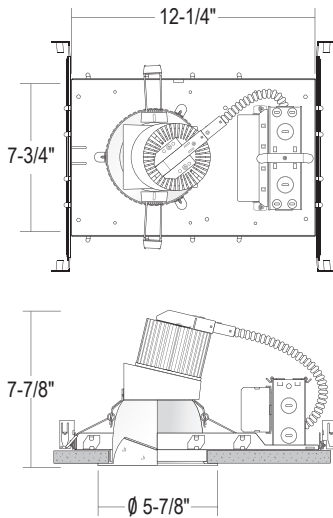
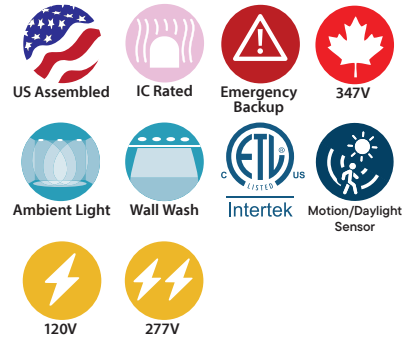


|CH4C : 4" C-SERIES

WALL WASH LED, NEW CONSTRUCTION 1000LM - 2500LM (10W-30W)



Ceiling Cut-Out: 4-7/8"
 Ceiling Thickness: 2-1/4" Max.



- Assorted dimming options.
- COB LED design allows for concentrated high CBCP beam
- Quick connector power adapter and twist-and-lock reflector for quick access and easy maintenance

ORDERING : CH4C10UE-D10-EM-BWNG/CR4LC72SW-T27

[Click for Full Specification Details](#)

CH4C

Housing	Insulation Contact	Control	Emergency Options	J-Box	Mounting	Reflector Finish	CCT	Options
Insulation Contact Non-IC Blank IC Rated/ ICA⁴ Airtight				J-Box None Blank Junction Box -CHP (Chicago Plenum)	Mounting 24" Adjustable Blank Architectural -BWNG⁵ C-Channel		CCT 2700K (90 CRI) -T27 2700K (97 CRI) -T27-C97 3000K (90 CRI) -T30 3000K (97 CRI) -T30-C97 3500K (90 CRI) -T35 4000K (90 CRI) -T40 5000K (80 CRI) -T50	Options None Blank 4.5" Ceiling -CT4 Thickness
Housing 1000lm (10W) CH4C10 1400lm (15W) CH4C15 1900lm (20W) CH4C20 2500lm (30W) CH4C30		Control ¹ 0-10V Dimming UniDim™ 0-10V, TRIAC/ELV Dimming TRIAC/ELV Dimming (120V) Lutron Hi-Lume Lutron EcoSystem 0-10V Dimming (347V) 1%, 0-10V Dimming DMX Dimming with input via XLR5 (120V/277V) DMX Dimming with input via RJ45 (120V/277V) Athena Wireless Node (120V) Athena Wireless Node Occupancy Sensor (120V) UniSense - Remotely Mounted Motion/Photosensor (120V) UniSense - Remotely Mounted Motion/Photosensor Casambi Wireless Dimming BubblyNet Wireless System Lutron Vive Wireless Dimming Module	UE-D10 UE-DUN -DIN UE-DHL UE-ECO -347-D10 ² UE-D10P1 UE-DMXLR5 UE-DMXRJ45 -AWN -AWN-OCC -SUN-RMT ⁷ -SUN-RMT-1227 ⁷ -DCSM ⁶ -DBNT ⁶ -VIVE ⁶	Emergency Options None Blank 10W Emergency Battery -EM Full Power Emergency Inverter -EMAC³ Full Power Emergency Inverter (347V) -EMAC347³ GTD Device -GTD	Reflector Finish Satin Haze Reflector/ White Finish /CR4LC72SW White Reflector/ White Finish /CR4LC72WW All Black /CR4LC72BB All Satin Haze /CR4LC72SS			

2025.11.04

¹ All drivers are 120V/277V unless otherwise noted.
² -347-D10 is not available for CH4C10.
³ Check wiring diagram.
⁴ ICA is only available for CH4C10, CH4C15 and CH4C20. (CH4C30 are Non-IC rated.)
⁵ (-BWNG) option does **NOT** include Hanger Bars. Hanger Bars ordered separately.
⁶ Special Order.
⁷ (-SUN-RMT) Sensor sent with mounting clips for existing ceiling applications.

COMPATABILITY

