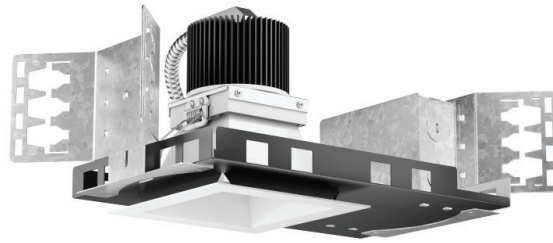
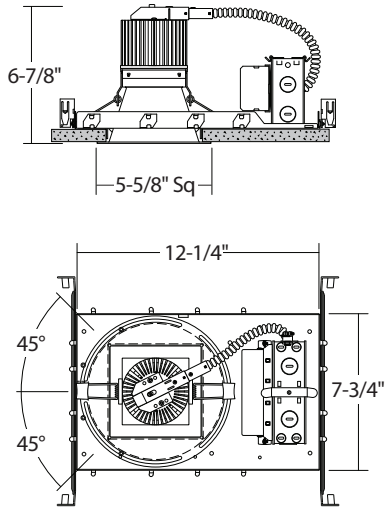
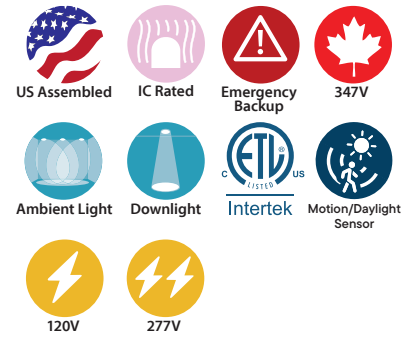


## CH4QC : 4" C-SERIES

(COB) CHIP ON BOARD BEAM CONTROL SQUARE LED,  
 NEW CONSTRUCTION 1000LM - 2500LM (10W-30W)



Ceiling Cut-Out: 4-3/4" Sq.  
 Ceiling Thickness: 2" Max

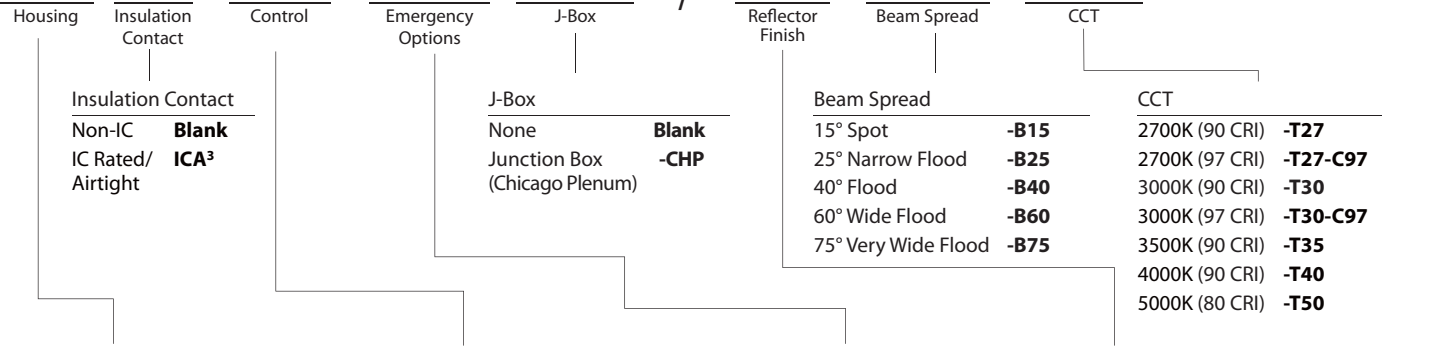


- Heavy-duty seamless die-cast reflector
- Assorted dimming options
- COB LED design for concentrated high CBCP beam
- Multiple beam spreads for flexible beam control
- Twist and lock reflector for quick access to LED lamp array

### ORDERING : CH4QC10UE-D10-EM/CR4QLC30SW-B40-T27

[Click for Full Specification Details](#)

#### CH4QC



Housing	Control <sup>1</sup>	Emergency Options	Reflector Finish
1000lm (10W) <b>CH4QC10</b>	0-10V Dimming	<b>UE-D10</b>	None
1400lm (15W) <b>CH4QC15</b>	UniDim™ 0-10V, TRIAC/ELV Dimming	<b>UE-DUN</b>	10W Emergency Battery
1900lm (20W) <b>CH4QC20</b>	TRIAC/ELV Dimming (120V)	<b>-DIN</b>	Full Power
2500lm (30W) <b>CH4QC30</b>	Lutron Hi-Lume Lutron EcoSystem 0-10V Dimming (347V) 1%, 0-10V Dimming	<b>UE-DHL</b> <b>UE-ECO</b> <b>-347-D10<sup>2</sup></b> <b>UE-D10P1</b>	Emergency Inverter
	DMX Dimming with input via XLR5 (120V/277V)	<b>UE-DMXLR5</b>	Full Power
	DMX Dimming with input via RJ45 (120V/277V)	<b>UE-DMXRJ45</b>	Emergency Inverter (347V)
	Athena Wireless Node (120V)	<b>-AWN</b>	GTD Device
	Athena Wireless Node Occupancy Sensor (120V)	<b>-AWN-OCC</b>	
	UniSense - Remotely Mounted Motion/Photosensor (120V)	<b>-SUN-RMT<sup>6</sup></b>	
	UniSense - Remotely Mounted Motion/Photosensor	<b>-SUN-RMT-1227<sup>6</sup></b>	
	Casambi Wireless Dimming	<b>-DCSM<sup>5</sup></b>	
	BubblyNet Wireless System	<b>-DBNT<sup>5</sup></b>	
	Lutron Vive Wireless Dimming Module	<b>-VIVE<sup>5</sup></b>	

Beam Spread	CCT
15° Spot	2700K (90 CRI) <b>-T27</b>
25° Narrow Flood	2700K (97 CRI) <b>-T27-C97</b>
40° Flood	3000K (90 CRI) <b>-T30</b>
60° Wide Flood	3000K (97 CRI) <b>-T30-C97</b>
75° Very Wide Flood	3500K (90 CRI) <b>-T35</b>
	4000K (90 CRI) <b>-T40</b>
	5000K (80 CRI) <b>-T50</b>

<sup>1</sup> All drivers are 120V/277V unless otherwise noted.  
<sup>2</sup> -347-D10 is not available for CH4QC10.  
<sup>3</sup> ICA is only available for CH4QC10, CH4QC15, and CH4QC20. (CH4QC30 are Non-IC rated.)  
<sup>4</sup> Check wiring diagram.  
<sup>5</sup> Special Order.  
<sup>6</sup> (-SUN-RMT) Sensor sent with mounting clips for existing ceiling applications.

2025.10.27