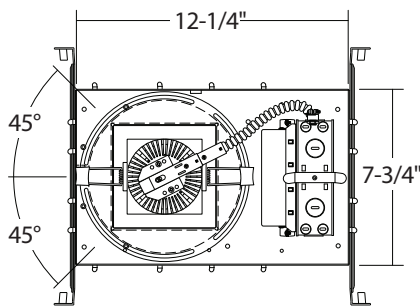
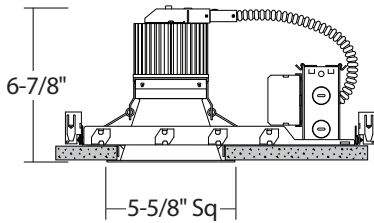


CH4QLS : 4" C-SERIES

SQUARE LUMEN/COLORSELECT NEW CONSTRUCTION
 1100LM - 1600LM (18W-28W)



Ceiling Cut-Out: 4-3/4"
 Ceiling Thickness: 2" Max



- LumenSelect switch with 1100lm, 1400lm, or 1600lm setting
- ColorSelect 3000K, 3500K, 4000K (84CRI) switch
- Twist and lock reflector for quick access to LED lamp array
- Heavy-duty seamless die-cast reflector
- Soft even lumen distribution
- No visible screws or hardware

ORDERING : CH4QLS1116UE-D10-EM/CR4QL22SW-EMA-TS354

[Click for Full Specification Details](#)

CH4QLS1116	Insulation Contact	Control	Emergency Options	J-Box	Reflector	Reflector Finish	Reflector Options	ColorSelect
LumenSelect Housing ¹								
1100lm (18W) CH4QLS1116 [Options]								
1400lm (22W)								
1600lm (28W)								
			Reflector ¹		Reflector Finish		Reflector Options	ColorSelect
			/CR4QL22		Satin Haze Reflector/ White Finish	SW	None Blank Integral EM -EMA² Switch	ColorSelect -TS354 3000K, 3500K, 4000K (84 CRI)
					White Reflector/ White Finish	WW		
					All Black	BB		
					All Satin Haze	SS		

Options

Insulation Contact	Control	Emergency Options	J-Box
Non-IC Blank	0-10V Dimming (120V/277V) UE-D10	None	None Blank
IC Rated/ Airtight ICA³	Athena Wireless Node (120V) -AWN	10W Emergency Battery -EM	Junction Box -CHP (Chicago Plenum)
	Athena Wireless Node Occupancy Sensor (120V) -AWN-OCC	Full Power Emergency Inverter -EMAC⁴	
	UniSense - Remotely Mounted Motion/Photosensor (120V) -SUN-RMT⁶	Full Power Emergency Inverter (347V) -EMAC347⁴	
	UniSense - Remotely Mounted Motion/Photosensor (120V/277V) -SUN-RMT-1227⁶	GTD Device -GTD	
	Casambi Wireless Dimming (120V/277V) -DCSM⁵		
	BubblyNet Wireless System (120V/277V) -DBNT⁵		
	Lutron Vive Wireless Dimming Module (120V/277V) -VIVE⁵		

¹ Housing must match corresponding Reflector in column to right.
² Only available for EM Housings.
³ ICA is only available on 1100lm (18W) and 1400lm (22W). (1600lm (28W) are Non-IC Rated.)
⁴ Check Wiring Diagrams.
⁵ Special Order.
⁶ (-SUN-RMT) Sensor sent with mounting clips for existing ceiling applications.