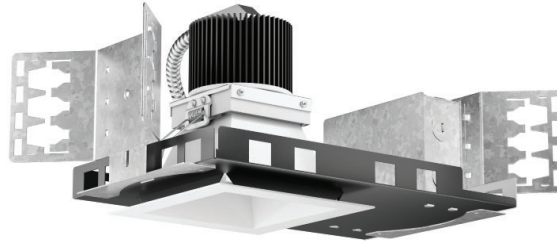
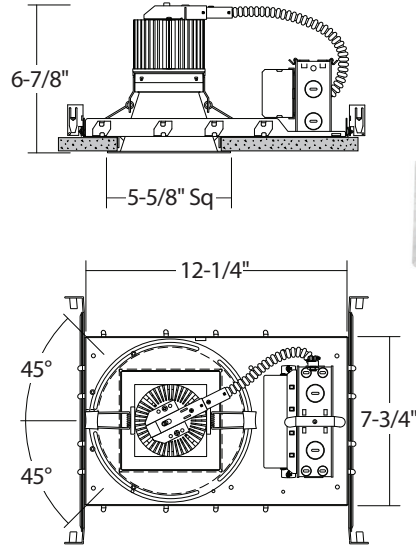
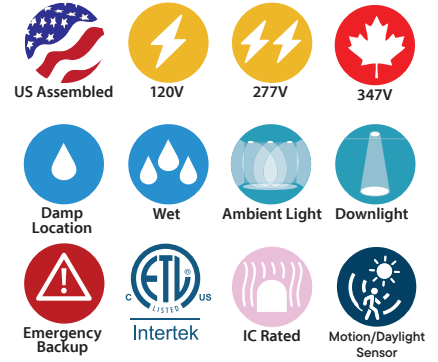


## CH4Q : 4" C-SERIES

SQUARE LED DOWNLIGHT NEW CONSTRUCTION 800LM - 2600LM (10W-30W)



Ceiling Cut-Out: 4-3/4" Sq.  
 Ceiling Thickness: 2" Max.



- Wide catalogue of lumen and dimming options
- Standard with 0-10V Dimming
- Twist and lock reflector for quick access to LED lamp array.
- Heavy-duty seamless die-cast reflector
- Soft even lumen distribution
- No visible screws or hardware
- New Lutron Athena Options Available

### ORDERING : CH4Q10ICAUE-D10-EM/CR4QL17SW-EMA-T30

[Click for Full Specification Details](#)

#### CH4Qxx

Housing	Insulation Contact	Control	Emergency Options	J-Box	Mounting	Reflector	Reflector Finish	Reflector Options	Color Temperature
800lm (10W)	<b>CH4Q08</b> [Options]								
1300lm (18W)	<b>CH4Q10</b> [Options]								
1600lm (22W)	<b>CH4Q18</b> [Options]								
1800lm (28W)	<b>CH4Q28</b> [Options]								
2200lm (25W)	<b>CH4Q29</b> [Options]								
2600lm (30W)	<b>CH4Q30</b> [Options]								

#### Options

Insulation Contact	Control <sup>2</sup>	Emergency Options	J-Box	Mounting
Non-IC <b>Blank</b>	0-10V Dimming	<b>UE-D10</b>	None	24" Adjustable <b>Blank</b>
IC Rated/ Airtight <b>ICA<sup>5</sup></b>	UniDim™ 0-10V, TRIAC/ELV Dimming	<b>UE-DUN</b>	10W Emergency Battery	Architectural <b>-BWNG<sup>4</sup></b>
	TRIAC/ELV Dimming (120V)	<b>-DIN</b>	Full Power	C-Channel
	Lutron Hi-Lume	<b>UE-DHL</b>	Emergency Inverter	
	Lutron EcoSystem	<b>UE-ECO</b>	Full Power	
	0-10V Dimming (347V)	<b>-347-D10<sup>6</sup></b>	Emergency Inverter (347V)	
	1%, 0-10V Dimming	<b>UE-D10P1</b>	GTD Device	
	Dali Dimming	<b>UE-DLI<sup>9</sup></b>		
	DMX Dimming with input via XLR5 (120V/277V)	<b>UE-DMXLR5<sup>9</sup></b>		
	DMX Dimming with input via RJ45 (120V/277V)	<b>UE-DMXRJ45<sup>9</sup></b>		
	Athena Wireless Node (120V)	<b>-AWN</b>		
	Athena Wireless Node	<b>-AWN-OCC</b>		
	Occupancy Sensor (120V)	<b>-SUN-RMT<sup>10</sup></b>		
	UniSense - Remotely Mounted Motion/Photosensor (120V)	<b>-SUN-RMT-1227<sup>10</sup></b>		
	UniSense - Remotely Mounted Motion/Photosensor			
	Casambi Wireless Dimming	<b>-DCSM<sup>9</sup></b>		
	BubblyNet Wireless System	<b>-DBNT<sup>9</sup></b>		
	Lutron Vive Wireless Dimming Module	<b>-VIVE<sup>9</sup></b>		

<sup>1</sup> Housing must match corresponding Reflector in column to right.  
<sup>2</sup> All drivers are 120V/277V unless otherwise noted.  
<sup>3</sup> Only available for EM Housings.  
<sup>4</sup> (-BWNG) option does NOT include Hanger Bars. Hanger Bars ordered separately.  
<sup>5</sup> (ICA) is only available on CH4Q08, CH4Q10 and CH4Q18. (CH4Q28, CH4Q29 and CH4Q30 are Non-IC rated.)  
<sup>6</sup> (-347-D10) not available for CH4Q08.  
<sup>7</sup> Check Wiring Diagrams.  
<sup>8</sup> (-T50) not available for CH4Q29 and CH4Q30.  
<sup>9</sup> Special Order.  
<sup>10</sup> (-SUN-RMT) Sensor sent with mounting clips for existing ceiling applications.  
 Custom RAL Color: Please note that we accommodate custom finishes. Custom finishes are subject to a special paint setup fee for the quantity ordered. Extended lead times may apply. Consult Factory.

2025.10.24