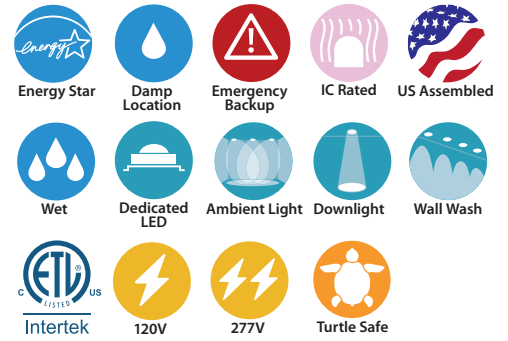
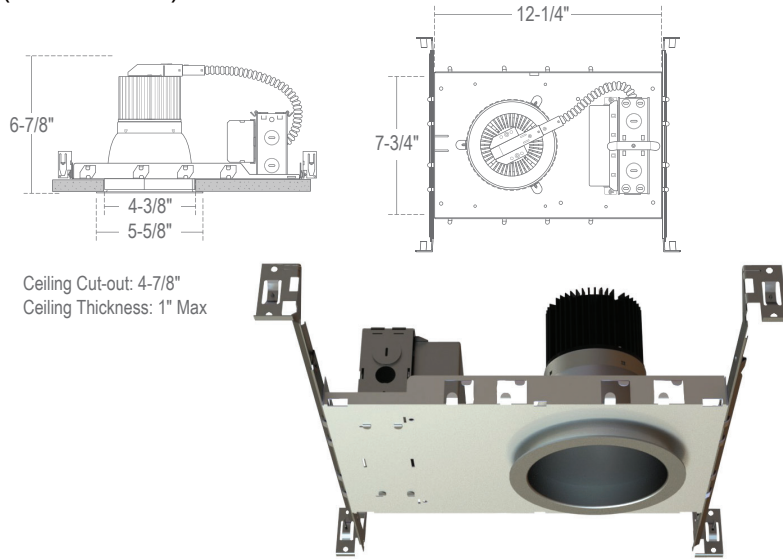


CH4 : 4" C-SERIES

LED DOWNLIGHT NEW CONSTRUCTION 240LM - 400LM (11W-22W)
 AMBER (TURTLE SAFE)



- 590nm AMBER Turtle Safe
- Heavy-duty self-flanged reflector
- Soft even lumen distribution
- No visible screws or hardware

ORDERING : CH410ICAUE-DUN-EM/CR4L17BBF-EMA-TAM

 [Click for Full Specification Details](#)

CH4xx

Housing	Insulation Contact	Control	Emergency Options	Reflector LED	Reflector Option	Color Temperature	Options
240lm (11W)	CH410 [Options]			All Black	/CR4L17BBF	590nm Amber	-TAM
320lm (16W)	CH418 [Options]				None		
400lm (22W)	CH428 [Options]				Integral EM Switch		

Options

Insulation Contact		Control		Emergency Options	
Non-IC	Blank	Non-Dimming (120V)	Blank	None	Blank
IC Rated/Airtight	ICA	UniDim™ 0-10V, TRIAC/ELV Dimming (120V/277V)	UE-DUN	10W Emergency Battery	-EM
		TRIAC/ELV Dimming (120V)	-DIN	Full Power Emergency Inverter	-EMAC²
		DMX Dimming with input via XLR5 (120V/277V)	UE-DMXLR5	Full Power Emergency Inverter (347V)	-EMAC347²
		DMX Dimming with input via RJ45 (120V/277V)	UE-DMXRJ45	GTD Device	-GTD

¹ Only available for EM Housings.
² Check wiring diagram.

COMPATABILITY

VR800
 Outdoor Vandal Resistant Kit

