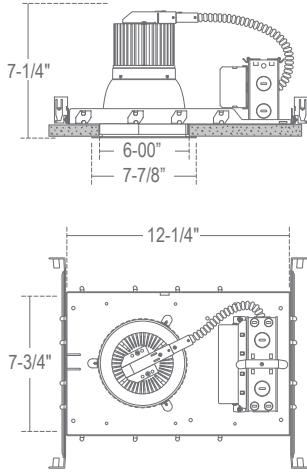
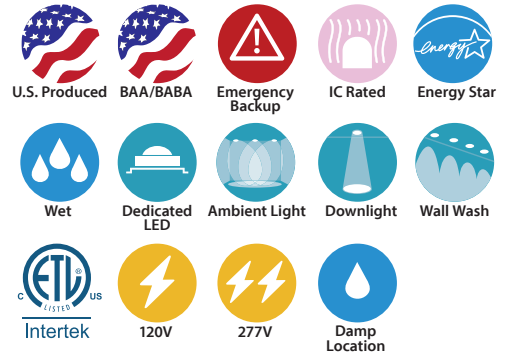


## CH6-USA : 6" C-SERIES

LED DOWNLIGHT NEW CONSTRUCTION 1500LM - 2500LM (10W-30W)



Ceiling Cut-out: 6-3/8"  
 Ceiling Thickness: 1" Max



**• Produced in USA**

- 10W Emergency Battery Option
- Twist and lock reflector for quick access to LED lamp array
- Heavy-duty self-flanged reflector
- Soft even lumen distribution
- No visible screws or hardware

**ORDERING : CH6-USA08ICAUE-D10-EM/CR6L17SW-EMA-T30**

[Click for Full Specification Details](#)

**CH6-USAxx**

| Housing      | Insulation Contact         | Control | Emergency Options | J-Box                  | Mounting  | Reflector   | Reflector Finish        | Reflector Options          | CCT          | Options      |
|--------------|----------------------------|---------|-------------------|------------------------|-----------|-------------|-------------------------|----------------------------|--------------|--------------|
| 1500lm (10W) | <b>CH6-USA08</b> [Options] |         | <b>/CR6L22</b>    | Satin Haze Reflector/  | <b>SW</b> | None        | <b>Blank</b>            | 2700K (84 CRI) <b>-T27</b> | None         | <b>Blank</b> |
| 1800lm (15W) | <b>CH6-USA10</b> [Options] |         | <b>/CR6L22</b>    | White Finish           |           | Integral EM | <b>-EMA<sup>2</sup></b> | 3000K (84 CRI) <b>-T30</b> | 4.5" Ceiling | <b>-CT4</b>  |
| 2200lm (20W) | <b>CH6-USA18</b> [Options] |         | <b>/CR6L22</b>    | White Reflector/       | <b>WW</b> | Switch      |                         | 3500K (84 CRI) <b>-T35</b> | Thickness    |              |
| 2500lm (30W) | <b>CH6-USA28</b> [Options] |         | <b>/CR6L22</b>    | White Finish           |           |             |                         | 4000K (84 CRI) <b>-T40</b> |              |              |
|              |                            |         |                   | All Black              | <b>BB</b> |             |                         | 5000K (84 CRI) <b>-T50</b> |              |              |
|              |                            |         |                   | Clear Specular         | <b>CW</b> |             |                         |                            |              |              |
|              |                            |         |                   | Reflector/White Finish |           |             |                         |                            |              |              |
|              |                            |         |                   | All Satin Haze         | <b>SS</b> |             |                         |                            |              |              |

**Options**

| Insulation Contact               | Control                                 | Emergency Options        | J-Box                    | Mounting                               |
|----------------------------------|---|--------------------------|--------------------------|--|
| Non-IC <b>Blank</b>              | Non-Dimming (120V) <b>Blank</b>         | None <b>Blank</b>        | None <b>Blank</b>        | 24" Adjustable <b>Blank</b>            |
| IC Rated/ <b>ICA<sup>4</sup></b> | TRIAC/ELV Dimming (120V) <b>-DIN</b>    | 10W Emergency <b>-EM</b> | Junction Box <b>-CHP</b> | Architectural <b>-BWNG<sup>3</sup></b> |
| Airtight                         | 0-10V Dimming (120V/277V) <b>UE-D10</b> | Battery                  | (Chicago Plenum)         | C-Channel                              |

<sup>1</sup> Housing must match corresponding Reflector in column to right.  
<sup>2</sup> Only available for EM Housings.  
<sup>3</sup> (-BWNG) option does **NOT** include Hanger Bars. Hanger Bars ordered separately.  
<sup>4</sup> (ICA) is only available for CH6-USA08, CH6-USA10 and CH6-USA18. (CH6-USA28 are Non-IC Rated.)

**COMPATABILITY**



2026.02.04