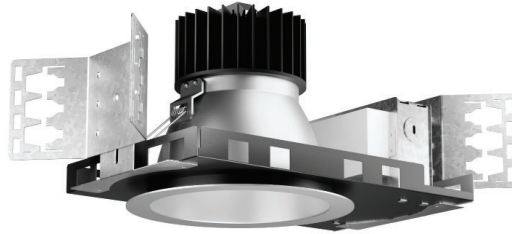
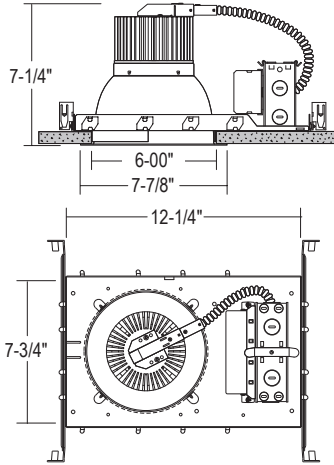
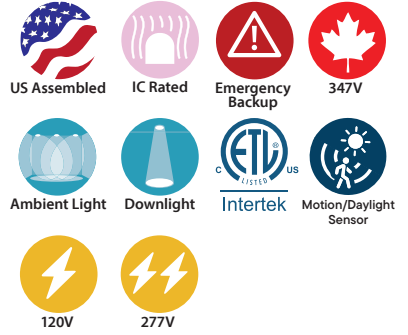


## CH6C : 6" C-SERIES

(COB) CHIP ON BOARD BEAM CONTROL LED, NEW CONSTRUCTION  
 1000LM - 4000LM (10W-40W)



Ceiling Cut-Out: 6-3/8"  
 Ceiling Thickness: 1" Max



- Assorted dimming options.
- COB LED design allows for concentrated high CBCP beam
- Multiple Beam Spreads for flexible beam control
- Quick connector power adapter and twist-and-lock reflector for quick access and easy maintenance

### ORDERING : CH6C10UE-D10-EM/CR6LC40SW-B30-T27

[Click for Full Specification Details](#)

CH6C		Emergency Options		J-Box	Mounting	Reflector Finish	Beam Spread	CCT	Options
Housing	Insulation Contact	Control	Emergency Options	J-Box	Mounting	Reflector Finish	Beam Spread	CCT	Options
Housing	Insulation Contact	Control <sup>1</sup>	Emergency Options	J-Box	Mounting	Reflector Finish	Beam Spread	CCT	Options
1000lm (10W)		0-10V Dimming	None	None	Blank	Satin Haze Reflector/ White Finish	20° Spot	2700K (90 CRI)	-T27
1500lm (15W)		UniDim™ 0-10V, TRIAC/ELV Dimming	10W Emergency Battery	Junction Box (Chicago Plenum)	-EM	White Reflector/ White Finish	30° Narrow Flood	2700K (97 CRI)	-T27-C97
2100lm (20W)		TRIAC/ELV Dimming (120V)	Full Power Emergency Inverter	Mounting	-EMAC <sup>4</sup>	All Black	40° Wide Flood	3000K (90 CRI)	-T30
2800lm (30W)		Lutron Hi-Lume	Full Power Emergency Inverter (347V)	24" Adjustable	-EMAC347 <sup>4</sup>	Clear Specular Reflector/White Finish	60° Wide Flood	3000K (97 CRI)	-T30-C97
4000lm (40W)		Lutron EcoSystem	GTD Device	Architectural C-Channel	-EMAC347 <sup>4</sup>	All Satin Haze	75° Very Wide Flood	3500K (90 CRI)	-T35
		0-10V Dimming (347V)			-GTD			4000K (90 CRI)	-T40
		1%, 0-10V Dimming						5000K (80 CRI)	-T50
		DMX Dimming with input via XLR5 (120V/277V)							
		DMX Dimming with input via RJ45 (120V/277V)							
		Athena Wireless Node (120V)							
		Athena Wireless Node Occupancy Sensor (120V)							
		UniSense - Remotely Mounted Motion/Photosensor (120V)							
		UniSense - Remotely Mounted Motion/Photosensor							
		Casambi Wireless Dimming							
		BubblyNet Wireless System							
		Lutron Vive Wireless Dimming Module							

<sup>1</sup> All drivers are 120V/277V unless otherwise noted.  
<sup>2</sup> -347-D10 is not available for CH6C10.  
<sup>3</sup> Clear finish reflector not recommended for placing close to vertical surfaces. Uneven striations may be visible.  
<sup>4</sup> Check wiring diagram.  
<sup>5</sup> ICA is only available for CH6C10, CH6C15, CH6C20 and CH6C30. (CH6C40 are Non-IC rated.)  
<sup>6</sup> (-BWNG) option does NOT include Hanger Bars. Hanger Bars ordered separately.  
<sup>7</sup> Special Order.  
<sup>8</sup> (-SUN-RMT) Sensor sent with mounting clips for existing ceiling applications.

### COMPATABILITY



**VR80**  
 Round Vandal Resistant Ceiling/Wall Kit



**P-CR672SW**  
 Wall Wash for 6"



**CR6-GSKT**  
 6" Commercial Self-Adhesive Gasket