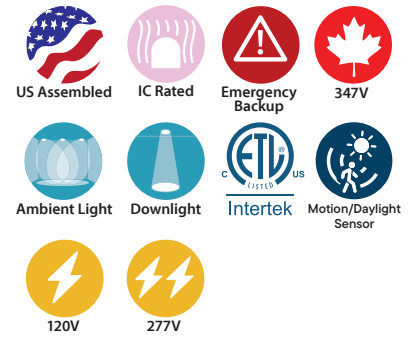
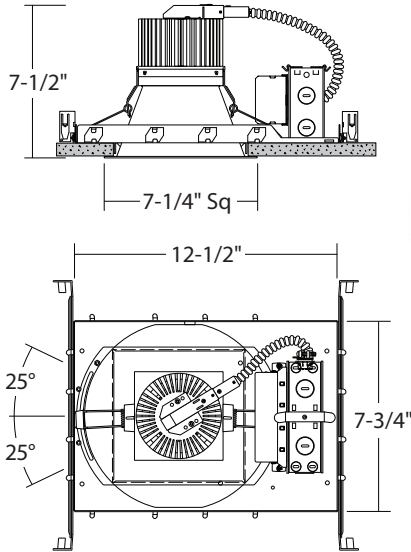


CH6QC : 6" C-SERIES

(COB) CHIP ON BOARD BEAM CONTROL SQUARE LED,
 NEW CONSTRUCTION 1000LM - 4000LM (10W-44W)



- Heavy-duty seamless die-cast reflector
- Assorted dimming options
- COB LED design for concentrated high CBCP beam
- Multiple beam spreads for flexible beam control
- Twist and lock reflector for quick access to LED lamp array



Ceiling Cut-Out: 6-3/8" Sq.
 Ceiling Thickness: 2-3/8" Max

ORDERING : CH6QC10UE-D10-EM/CR6QLC40SW-B30-T27

[Click for Full Specification Details](#)

CH6QC

Housing	Insulation Contact	Control	Emergency Options	J-Box	Reflector Finish	Beam Spread	CCT
Insulation Contact Non-IC Blank IC Rated/ Airtight ICA³				J-Box None Blank Junction Box (Chicago Plenum) -CHP		Beam Spread 15° Spot -B15 30° Narrow Flood -B30 40° Flood -B40 60° Wide Flood -B60 80° Very Wide Flood -B80	CCT 2700K (90 CRI) -T27 2700K (97 CRI) -T27-C97 3000K (90 CRI) -T30 3000K (97 CRI) -T30-C97 3500K (90 CRI) -T35 4000K (90 CRI) -T40 5000K (80 CRI) -T50

Housing	Control ¹	Emergency Options	Reflector Finish
1000lm (10W) CH6QC10	0-10V Dimming	UE-D10	Satin Haze Reflector/ White Ring /CR6QLC40SW
1500lm (15W) CH6QC15	UniDim™ 0-10V, TRIAC/ELV Dimming	UE-DUN	White Reflector/ White Ring /CR6QLC40WW
2100lm (20W) CH6QC20	TRIAC/ELV Dimming (120V)	-DIN	All Black /CR6QLC40BB
2800lm (30W) CH6QC30	Lutron Hi-Lume	UE-DHL	All Satin Haze /CR6QLC40SS
4000lm (44W) CH6QC40	Lutron EcoSystem	UE-ECO	
	0-10V Dimming (347V)	-347-D10²	
	1%, 0-10V Dimming	UE-D10P1	
	DMX Dimming with input via XLR5 (120V/277V)	UE-DMXLR5	
	DMX Dimming with input via RJ45 (120V/277V)	UE-DMXRJ45	
	Athena Wireless Node (120V)	-AWN	
	Athena Wireless Node Occupancy Sensor (120V)	-AWN-OCC	
	UniSense - Remotely Mounted Motion/Photosensor (120V)	-SUN-RMT⁶	
	UniSense - Remotely Mounted Motion/Photosensor	-SUN-RMT-1227⁶	
	Casambi Wireless Dimming	-DCSM⁵	
	BubblyNet Wireless System	-DBNT⁵	
	Lutron Vive Wireless Dimming Module	-VIVE⁵	
		-GTD	

¹ All drivers are 120V/277V unless otherwise noted.
² -347-D10 is not available for CH6QC10.
³ ICA is only available for CH6QC10, CH6QC15, CH6QC20 and CH6QC30. (CH6QC40 are Non-IC rated.)
⁴ Check wiring diagram.
⁵ Special Order.
⁶ (-SUN-RMT) Sensor sent with mounting clips for existing ceiling applications.

2025.10.27