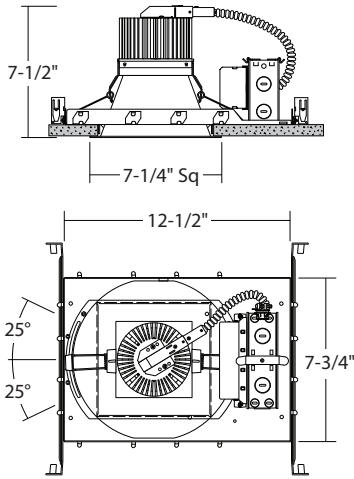
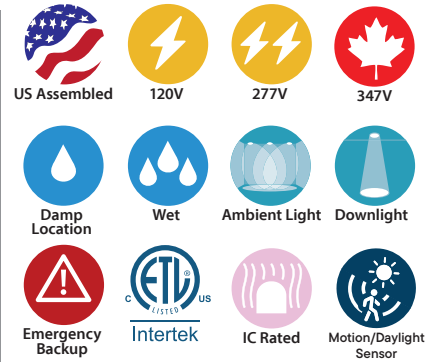


CH6Q : 6" C-SERIES

SQUARE LED DOWNLIGHT NEW CONSTRUCTION 900LM - 4700LM (10W-55W)



Ceiling Cut-Out: 6-3/8" Sq.
 Ceiling Thickness: 2-3/8" Max.



- Wide catalogue of lumen and dimming options
- Standard with 0-10V Dimming
- Twist and lock reflector for quick access to LED lamp array.
- Heavy-duty seamless die-cast reflector
- Soft even lumen distribution
- No visible screws or hardware
- New Lutron Athena Options Available

ORDERING : CH6Q10ICAUE-D10-EM/CR6QL17SW-EMA-T30

[Click for Full Specification Details](#)

CH6Qxx

Housing	Insulation Contact	Control	Emergency Options	J-Box	Mounting	Reflector	Reflector Finish	Reflector Options	Color Temperature
Housing ¹						Reflector ¹	Reflector Finish	Reflector Options	Color Temperature
900lm (10W)	CH6Q08	[Options]	/CR6QL22			Satin Haze Reflector/ White Finish	SW	None	Blank
1500lm (18W)	CH6Q10	[Options]	/CR6QL22			White Reflector/ White Finish	WW	Integral EM Switch	-EMA³
1800lm (22W)	CH6Q18	[Options]	/CR6QL22			All Black	BB		2700K (84CRI) -T27⁸
2200lm (28W)	CH6Q28	[Options]	/CR6QL22			All Satin Haze	SS		3000K (84 CRI) -T30
2400lm (29W)	CH6Q30	[Options]	/CR6QL36						3500K (84 CRI) -T35
3000lm (39W)	CH6Q39	[Options]	/CR6QL36						4000K (84 CRI) -T40
3500lm (45W)	CH6Q48	[Options]	/CR6QL36						5000K (84 CRI) -T50⁸
3000lm (35W)	CH6Q49	[Options]	/CR6QL40						
3800lm (55W)	CH6Q50	[Options]	/CR6QL40						
4200lm (45W)	CH6Q55	[Options]	/CR6QL53						
4700lm (50W)	CH6Q60	[Options]	/CR6QL60						

Options

Insulation Contact	Control ²	Emergency Options	J-Box	Mounting
Non-IC Blank	0-10V Dimming	None	None	24" Adjustable Blank
IC Rated/ Airtight ICA⁵	UniDim™ 0-10V, TRIAC/ELV Dimming	10W Emergency Battery	Junction Box (Chicago Plenum)	Architectural -BWNG⁴
	TRIAC/ELV Dimming (120V)	Full Power Emergency Inverter		C-Channel
	Lutron Hi-Lume	Full Power Emergency Inverter (347V)		
	Lutron EcoSystem	GTD Device		
	0-10V Dimming (347V)			
	1%, 0-10V Dimming			
	Dali Dimming			
	DMX Dimming with input via XLR5 (120V/277V)			
	DMX Dimming with input via RJ45 (120V/277V)			
	Athena Wireless Node (120V)			
	Athena Wireless Node Occupancy Sensor (120V)			
	UniSense - Remotely Mounted Motion/Photosensor (120V)			
	UniSense - Remotely Mounted Motion/Photosensor			
	Casambi Wireless Dimming			
	BubblyNet Wireless System			
	Lutron Vive Wireless Dimming Module			

¹ Housing must match corresponding Reflector in column to right.
² All drivers are 120V/277V unless otherwise noted.
³ Only available for EM Housings.
⁴ (-BWNG) option does **NOT** include Hanger Bars. Hanger Bars ordered separately.
⁵ (ICA) is only available on CH6Q08, CH6Q10 and CH6Q18.
⁶ (-347-D10) not available for CH6Q08.
⁷ (-EMAC) Check Wiring Diagrams.
⁸ (-T50) not available for CH6Q55 and CH6Q60 & (-T27) not available CH6Q60.
⁹ Special Order.
¹⁰ (-SUN-RMT) Sensor sent with mounting clips for existing ceiling applications.
 Custom RAL Color: Please note that we appreciate custom finishes. Custom finishes are subject to a special paint setup fee for the quantity ordered. Extended lead times may apply. Consult Factory.

2025.10.27