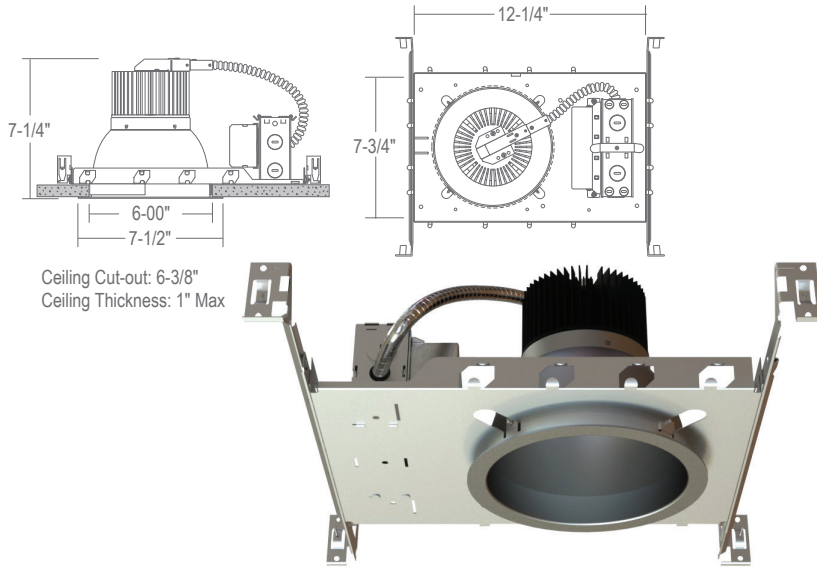
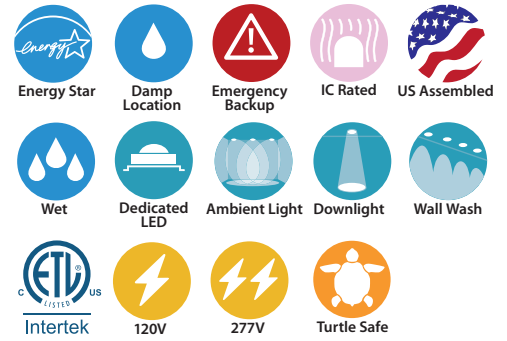


CH6 : 6" C-SERIES

LED DOWNLIGHT NEW CONSTRUCTION 300LM - 500LM (10W-22W)
 AMBER (TURTLE SAFE)



Ceiling Cut-out: 6-3/8"
 Ceiling Thickness: 1" Max



- 590nm AMBER Turtle Safe
- Heavy-duty self-flanged reflector
- Soft even lumen distribution
- No visible screws or hardware

ORDERING : CH610UE-DUN/CR6L22BBF-TAM

[Click for Full Specification Details](#)

CH6xx

| Housing | Insulation Contact | Control | Emergency Options | Reflector LED | Reflector Option | Color Temperature | Options |
|------------------------------------|--------------------|---------|-------------------|-------------------|--------------------|-------------------|------------------------------------|
| 300lm (10W) CH610 [Options] | | | | All Black | None | 590nm Amber | None |
| 400lm (15W) CH618 [Options] | | | | /CR6L22BBF | Integral EM Switch | -TAM | Blank |
| 500lm (22W) CH628 [Options] | | | | | | | 4.5" Ceiling Thickness -CT4 |

Options

| Insulation Contact | | Control | | Emergency Options | |
|--------------------|------------------------|--|-------------------|--------------------------------------|-----------------------------|
| Non-IC | Blank | Non-Dimming (120V) | Blank | None | Blank |
| IC Rated/Airtight | ICA³ | UniDim™ 0-10V, TRIAC/ELV Dimming (120V/277V) | UE-DUN | 10W Emergency Battery | -EM |
| | | TRIAC/ELV Dimming (120V) | -DIN | Full Power Emergency Inverter | -EMAC² |
| | | DMX Dimming with input via XLR5 (120V/277V) | UE-DMXLR5 | Full Power Emergency Inverter (347V) | -EMAC347² |
| | | DMX Dimming with input via RJ45 (120V/277V) | UE-DMXRJ45 | GTD Device | -GTD |

¹ Only available for EM Housings.

² Check wiring diagram.

³ ICA is only available for CH610 and CH618. (CH628 are Non-IC rated.)

COMPATABILITY

