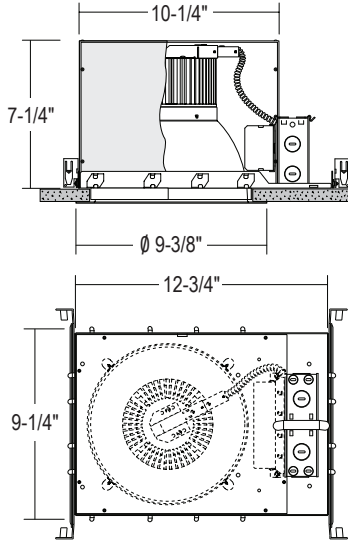


## CH8CIC : 8" C-SERIES

TYPE IC SERIES (COB) CHIP ON BOARD BEAM CONTROL LED  
 NEW CONSTRUCTION 1000LM - 2600LM (10W-30W)



Ceiling Cut-Out: 7-15/16"  
 Ceiling Thickness: 1" Max



- IC rated housing
- Assorted dimming options.
- COB LED design allows for concentrated high CBCP beam
- Multiple Beam Spreads for flexible beam control
- Quick connector power adapter and twist-and-lock reflector for quick access and easy maintenance

### ORDERING : CH8CIC10UE-D10-EM/CR8LC40SW-B30-T27

[Click for Full Specification Details](#)

#### CH8CIC

| Housing      | Control              | Emergency Options                                     | J-Box                            | Reflector Finish                     | Beam Spread                   | CCT                         | Options   |
|--------------|----------------------|---|----------------------------------|--------------------------------------|-------------------------------|-----------------------------|---|
| Housing      | Control <sup>1</sup> | Emergency Options                                     | J-Box                            | Reflector Finish                     | Beam Spread                   | CCT                         | Options   |
| 1000lm (10W) | <b>CH8CIC10</b>      | 0-10V Dimming   | <b>UE-D10</b>                    | None                                 | None                          | <b>Blank</b>                | Satin Haze Reflector/ <b>/CR8LC40SW</b>                             |
| 1500lm (15W) | <b>CH8CIC15</b>      | UniDim™ 0-10V, TRIAC/ELV Dimming                      | <b>UE-DUN</b>                    | 10W Emergency Battery                | Full Power                    | <b>-EM</b>                  | White Finish  |
| 2000lm (20W) | <b>CH8CIC20</b>      | TRIAC/ELV Dimming (120V)                              | <b>-DIN</b>                      | Full Power Emergency Inverter        | Emergency Inverter            | <b>-EMAC<sup>5</sup></b>    | White Reflector/ <b>/CR8LC40WW</b>                                  |
| 2600lm (30W) | <b>CH8CIC30</b>      | Lutron Hi-Lume  | <b>UE-DHL</b>                    | Full Power Emergency Inverter (347V) | Emergency Inverter            | <b>-EMAC347<sup>5</sup></b> | White Finish  |
|              |                      | Lutron EcoSystem                                      | <b>UE-ECO</b>                    | GTD Device                           | GTD Device                    | <b>-GTD</b>                 | All Black <b>/CR8LC40BB</b>   |
|              |                      | 0-10V Dimming (347V)                                  | <b>-347-D10<sup>2</sup></b>      |                                      |                               |                             | Clear Specular Reflector/White Finish <b>/CR8LC40CW<sup>3</sup></b> |
|              |                      | 1%, 0-10V Dimming                                     | <b>UE-D10P1</b>                  |                                      |                               |                             | All Satin Haze <b>/CR8LC40SS</b>                                    |
|              |                      | DMX Dimming with input via XLR5 (120V/277V)           | <b>UE-DMXLR5</b>                 | J-Box                                | J-Box                         |                             | Beam Spread   |
|              |                      | DMX Dimming with input via RJ45 (120V/277V)           | <b>UE-DMXRJ45</b>                | None                                 | None                          | <b>Blank</b>                | 20° Spot <b>-B20</b>  |
|              |                      | Athena Wireless Node (120V)                           | <b>-AWN</b>                      | Junction Box (Chicago Plenum)        | Junction Box (Chicago Plenum) | <b>-CHP</b>                 | 30° Narrow Flood <b>-B30</b>  |
|              |                      | Athena Wireless Node Occupancy Sensor (120V)          | <b>-AWN-OCC</b>                  |                                      |                               |                             | 40° Flood <b>-B40</b>   |
|              |                      | UniSense - Remotely Mounted Motion/Photosensor (120V) | <b>-SUN-RMT<sup>7</sup></b>      |                                      |                               |                             | 60° Wide Flood <b>-B60</b>  |
|              |                      | UniSense - Remotely Mounted Motion/Photosensor        | <b>-SUN-RMT-1227<sup>7</sup></b> |                                      |                               |                             | 75° Very Wide Flood <b>-B75</b>                                     |
|              |                      | Casambi Wireless Dimming                              | <b>-DCSM<sup>6</sup></b>         |                                      |                               |                             | CCT   |
|              |                      | BubblyNet Wireless System                             | <b>-DBNT<sup>6</sup></b>         |                                      |                               |                             | 2700K (90 CRI) <b>-T27</b>  |
|              |                      | Lutron Vive Wireless Dimming Module                   | <b>-VIVE<sup>6</sup></b>         |                                      |                               |                             | 2700K (97 CRI) <b>-T27-C97</b>                                      |
|              |                      |   |                                  |                                      |                               |                             | 3000K (90 CRI) <b>-T30</b>  |
|              |                      |   |                                  |                                      |                               |                             | 3000K (97 CRI) <b>-T30-C97</b>                                      |
|              |                      |   |                                  |                                      |                               |                             | 3500K (90 CRI) <b>-T35</b>  |
|              |                      |   |                                  |                                      |                               |                             | 4000K (90 CRI) <b>-T40</b>  |
|              |                      |   |                                  |                                      |                               |                             | 5000K (80 CRI) <b>-T50</b>  |
|              |                      |   |                                  |                                      |                               |                             | Options   |
|              |                      |   |                                  |                                      |                               |                             | None <b>Blank</b>   |
|              |                      |   |                                  |                                      |                               |                             | 4.5" Ceiling Thickness <b>-CT4</b>                                  |

<sup>1</sup> All drivers are 120V/277V unless otherwise noted.

<sup>2</sup> -347-D10 is not available for CH8CIC10.

<sup>3</sup> Clear finish reflector not recommended for placing close to vertical surfaces. Uneven striations may be visible.

<sup>5</sup> Check wiring diagrams.

<sup>6</sup> Special Order.

<sup>7</sup> (-SUN-RMT) Sensor sent with mounting clips for existing ceiling applications.

#### COMPATABILITY



**VR800**  
 Outdoor Vandal Resistant  
 Ceiling/Wall Kit



**P-CR872SW**  
 Wall Wash for 8"