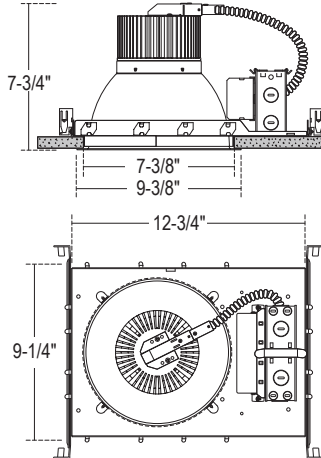
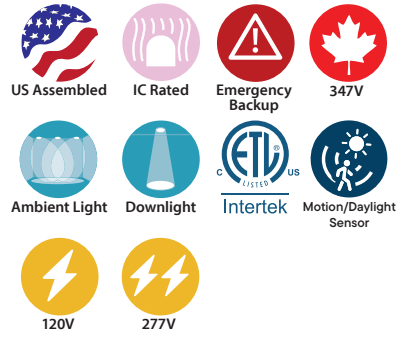


CH8C : 8" C-SERIES

(COB) CHIP ON BOARD BEAM CONTROL LED, NEW CONSTRUCTION
 1000LM - 4000LM (10W-40W)



Ceiling Cut-Out: 7-15/16"
 Ceiling Thickness: 1" Max



- Assorted dimming options.
- COB LED design allows for concentrated high CBCP beam
- Multiple Beam Spreads for flexible beam control
- Quick connector power adapter and twist-and-lock reflector for quick access and easy maintenance

ORDERING : CH8C10UE-D10-EM/CR8LC40SW-B30-T27

[Click for Full Specification Details](#)

CH8C	Insulation Contact	Control	Emergency Options	J-Box	Reflector Finish	Beam Spread	CCT	Options
Housing								
1000lm (10W)			CH8C10	None	Blank	20° Spot		-B20
1500lm (15W)			CH8C15	10W Emergency Battery	-EM	30° Narrow Flood		-B30
2000lm (20W)			CH8C20	Full Power		40° Wide Flood		-B40
2800lm (30W)			CH8C30	Emergency Inverter	-EMAC⁴	60° Wide Flood		-B60
4000lm (40W)			CH8C40	Full Power	-EMAC347⁴	75° Very Wide Flood		-B75
				Emergency Inverter (347V)				
Insulation Contact				GTD Device	-GTD		CCT	
Non-IC			Blank				2700K (90 CRI)	-T27
IC Rated/Airtight			ICA⁵	J-Box			2700K (97 CRI)	-T27-C97
Control ¹				None	Blank		3000K (90 CRI)	-T30
0-10V Dimming			UE-D10	Junction Box (Chicago Plenum)	-CHP		3000K (97 CRI)	-T30-C97
UniDim™ 0-10V, TRIAC/ELV Dimming			UE-DUN				3500K (90 CRI)	-T35
TRIAC/ELV Dimming (120V)			-DIN	Reflector Finish			4000K (90 CRI)	-T40
Lutron Hi-Lume			UE-DHL	Satin Haze Reflector/White Finish	/CR8LC40SW		5000K (80 CRI)	-T50
Lutron EcoSystem			UE-ECO	White Reflector/White Finish	/CR8LC40WW			Options
0-10V Dimming (347V)			-347-D10²	All Black	/CR8LC40BB		None	Blank
1%, 0-10V Dimming			UE-D10P1	Clear Specular Reflector/White Finish	/CR8LC40CW³		4.5" Ceiling Thickness	-CT4
DMX Dimming with input via XLR5 (120V/277V)			UE-DMXLR5	All Satin Haze	/CR8LC40SS			
DMX Dimming with input via RJ45 (120V/277V)			UE-DMXRJ45					
Athena Wireless Node (120V)			-AWN					
Athena Wireless Node			-AWN-OCC					
Occupancy Sensor (120V)								
UniSense - Remotely Mounted Motion/Photosensor (120V)			-SUN-RMT⁸					
UniSense - Remotely Mounted Motion/Photosensor			-SUN-RMT-1227⁸					
Casambi Wireless Dimming			-DCSM⁷					
BubblyNet Wireless System			-DBNT⁷					
Lutron Vive Wireless Dimming Module			-VIVE⁷					

¹ All drivers are 120V/277V unless otherwise noted.
² -347-D10 is not available for CH8C10.
³ Clear finish reflector not recommended for placing close to vertical surfaces. Uneven striations may be visible.
⁴ Check wiring diagrams.
⁵ ICA is only available for CH8C10, CH8C15, CH8C20, and CH8C30. (CH8C40 are Non-IC rated).
⁷ Special Order.
⁸ (-SUN-RMT) Sensor sent with mounting clips for existing ceiling applications.

COMPATABILITY



VR800
 Round Vandal Resistant
 Ceiling/Wall Kit



P-CR8725W
 Wall Wash for 8"